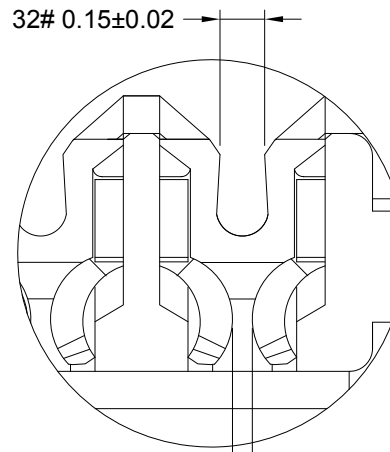
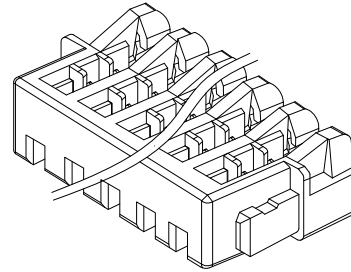
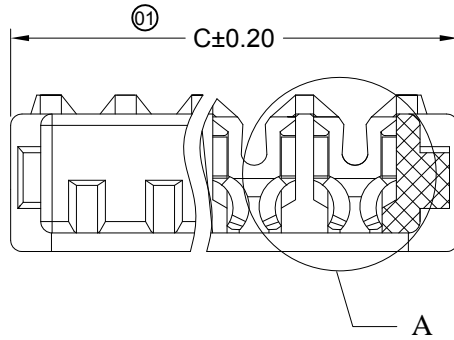


RoHS  Lead-free

⑩ 32# 0.15±0.02



⑪ 0.08^{+0.03}_{-0.05}

SECTION A-A
SCALE 2.5 : 1

■ Specifications :

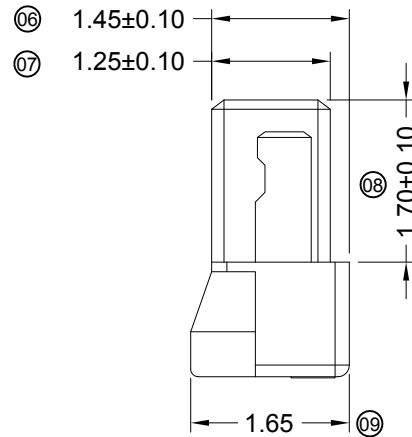
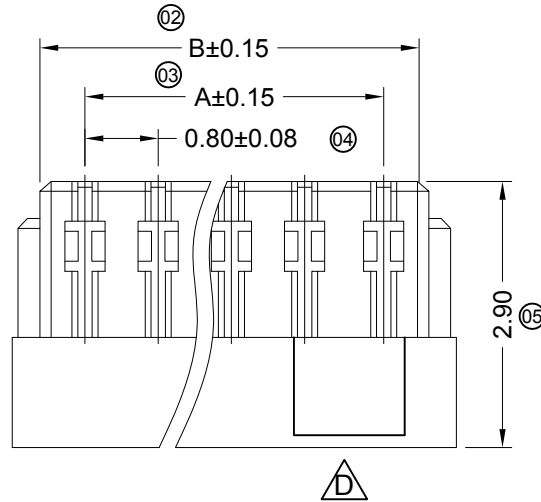
- Voltage rating: 30V AC / DC
- Current rating: 0.5A AC / DC
- Withstanding voltage: 200V AC/minute
- Temperature range: -25°C~+85°C
- Insulation resistance: ≥100MΩ
- Contact resistance: ≤20mΩ
- After environmental testing: ≤30mΩ

0800 H I - XX X - XX XX

① ② ③ ④ ⑤ ⑥ ⑦

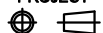
- ① Series No.
- ② Category: H-HSG
- ③ Welding Board Angle: I-HSG+hardware
- ④ Row No.-Pin No.: XX-Single row
- ⑤ Plug the Pin & special No. G-Gold Plating
- ⑥ Material: 6T-PA6T N0-PA66 94V-0
- ⑦ Color: Blank-natural color HF-Halogen free

Poles	Dimensions (mm)		
	A	B	C
2	0.80	1.78	2.40
3	1.60	2.58	3.20
4	2.40	3.38	4.00
5	3.20	4.18	4.80
6	4.00	4.98	5.60
7	4.80	5.78	6.40
8	5.60	6.58	7.20
9	6.40	7.38	8.00
10	7.20	8.18	8.80
11	8.00	8.98	9.60
12	8.80	9.78	10.40
13	9.60	10.58	11.20
14	10.40	11.38	12.00
15	11.20	12.18	12.80
16	12.00	12.98	13.60
17	12.80	13.78	14.40
18	13.60	14.58	15.20
19	14.40	15.38	16.00
20	15.20	16.18	16.80
21	16.00	16.98	17.60
22	16.80	17.78	18.40
23	17.60	18.58	19.20
24	18.40	19.38	20.00



PART NO	Material	Wire Range	Insulation O.D.	Material(Terminal)	Finish(Terminal)	Mates With SWB Wafer	Q'ty/Bag
0800HI-XX-N0HF	PA66 UL 94V-0	AWG#32	0.38mm(Max)	Phosphor Bronze	Tin-Plated	0800W	1,000Pcs
0800HI-XXG-N0HF	Halogen Free				Gold-Flash		
0800HI-XXG-N0	PA66 UL 94V-0				Gold-Flash		
0800HI-XXG-6T	PA6T UL 94V-0				Tin-Plated		
0800HI-XX-6T	PA6T UL 94V-0				Tin-Plated		
0800HI-XX-N0	PA66 UL 94V-0						

DATE	OLD REV	NEW REV	ECN	DESCRIPTION	CHECK	APPROVAL
2014/04/04	C	D		修改标示	Jova Lau	Bob Sun
2013/11/11	B	C		修改图框格式		
2011/09/08	A	B		修改图框格式		

GENERAL TOLERANCE	PROJECT
.X ±0.30	
.XX ±0.20	
.XXX ±0.10	

APPROVAL	CHECK	DRAWN	DATA
Bob	Jova	Allen	2007/05/03

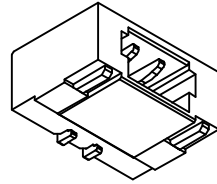
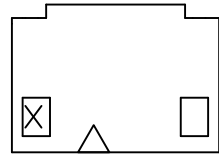
UNIT	SCALE	NUMBER	REV
MM	1 : 1	A-106	D

SWB 思索连接器有限公司
Terminal & Connectors SWB CONNECTORS CO., LTD

PART NO. 0800HI-XXX-XXXX

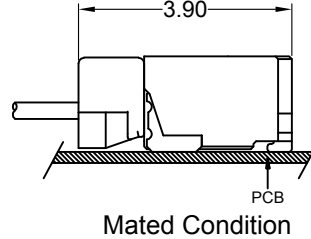
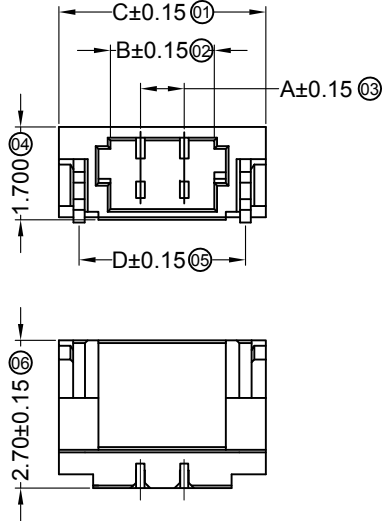
TITLE 0.80mm IDC Style Connectors

RoHS  Lead-free



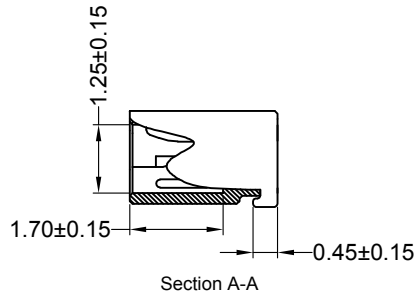
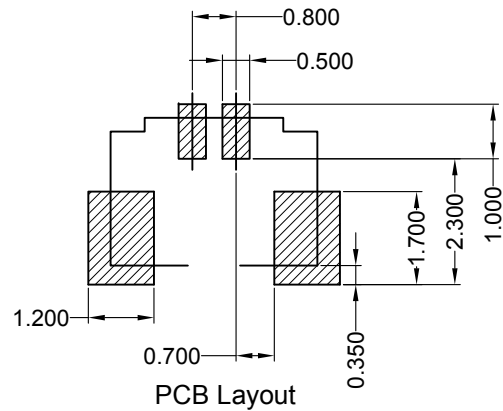
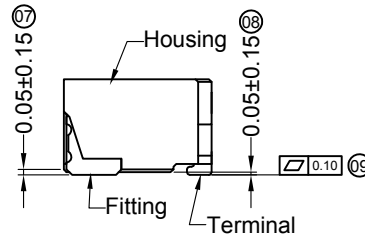
■ Specifications :

- Voltage rating: 30V AC / DC
- Current rating: 0.5A AC / DC
- Withstanding voltage: 200V AC/minute
- Temperature range: -25°C~+85°C
- Insulation resistance: ≥100MΩ
- Contact resistance: ≤20mΩ
- After environmental testing: ≤30mΩ




0800 W R S - XX HF - XX XX XX
 ① ② ③ ④ ⑤ ⑥ ⑦ ⑧ ⑨

- ① Series No.
- ② Category: W-wafer
- ③ Welding Board Angle: R-90°
- ④ Welding Way: S-SMT
- ⑤ Row No.-Pin No. : XX-Single row
- ⑥ Plug the Pin & Special NO: HF-Halogen-free
- ⑦ Material: 6T-PA6T LP-LCP
- ⑧ Planting Category:
V:All Gold-Plated *01-Gold Flash
SN-Bright tin plating 70u"
- ⑨ Color: Blank-natural color

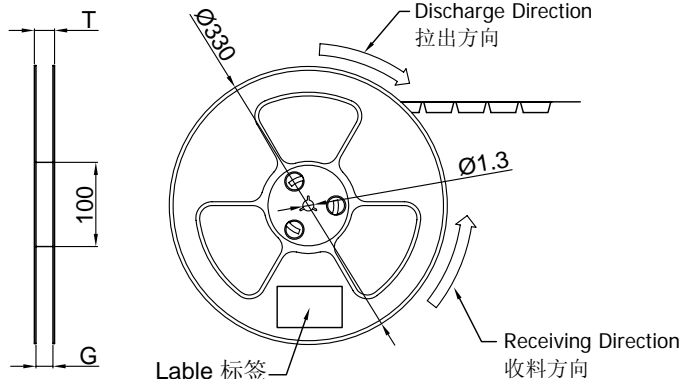
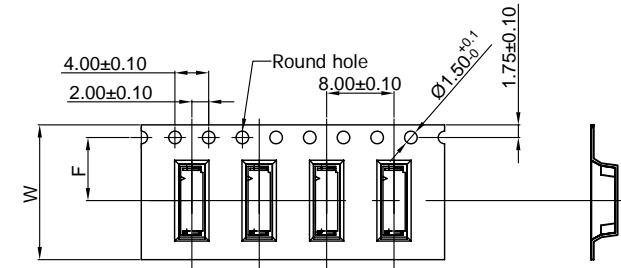
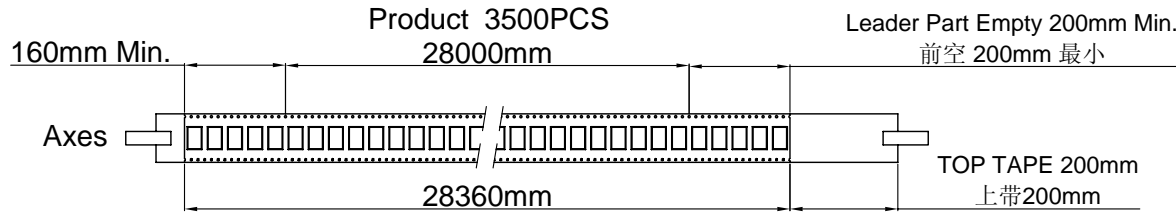


Poles	Dimensions(mm)				Poles	Dimensions(mm)			
	A	B	C	D		A	B	C	D
02	0.80	1.90	3.78	3.04	12	8.80	9.90	11.78	11.04
03	1.60	2.70	4.58	3.84	13	9.60	10.70	12.58	11.84
04	2.40	3.50	5.38	4.64	14	10.40	11.50	13.38	12.64
05	3.20	4.30	6.18	5.44	15	11.20	12.30	14.18	13.44
06	4.00	5.10	6.98	6.24	16	12.00	13.10	14.98	14.24
07	4.80	5.90	7.78	7.04	17	12.80	13.90	15.78	15.04
08	5.60	6.70	8.58	7.84	18	13.60	14.70	16.58	15.84
09	6.40	7.50	9.38	8.64	19	14.40	15.50	17.38	16.64
10	7.20	8.30	10.18	9.44	20	15.20	16.30	18.18	17.44
11	8.00	9.10	10.98	10.24					

0800WRS-XX-46V01	PA46 UL 94V-0	Phosphor Bronze	Gold-Flash	Brass	Gold-Flash	0800H
0800WRS-XXHF-LPV01	LCP UL 94V-0		Gold-Flash		Gold-Flash	
0800WRS-XXHF-LPSN	LCP UL 94V-0 Halogen-free		Tin-Plated		Tin-Plated	
0800WRS-XX-LPSN	LCP UL 94V-0		Tin-Plated		Tin-Plated	
PART NO	Material	Material(Pin)	Finish(Pin)	Material (Solder Tabs)	Finish (Solder Tabs)	Mates With SWB Housing

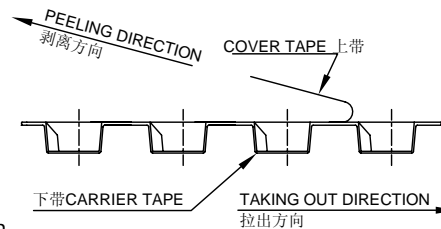
							GENERAL TOLERANCE		 思索连接器有限公司 Terminal & Connectors SWB CONNECTORS CO.,LTD				PART NO. 0800WRS-XXXX-XXXX			
							.X ±0.30 .XX ±0.20 .XXX ±0.10						TITLE 0.80 mm IDC Style Connectors			
DATE	OLD REV	NEW REV	ECN	DESCRIPTION	CHECK	APPROVAL	PROJECT	APPROVAL	CHECK	DRAWN	DATA	UNIT	SCALE	NUMBER	REV	
							⊕			sylvania	2014/05/19	MM	1 : 1	A-xxx	A	

RoHS  Lead-free

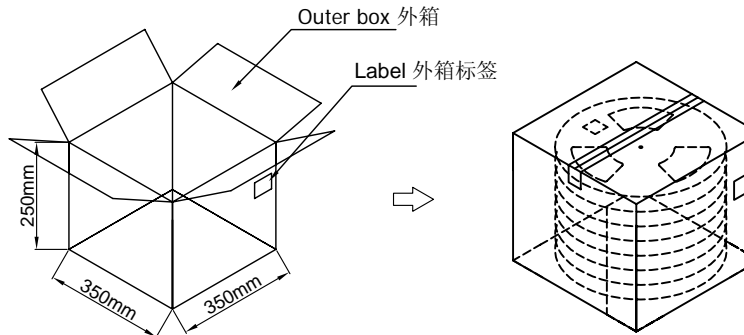
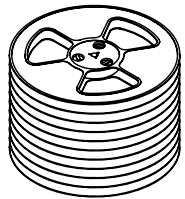
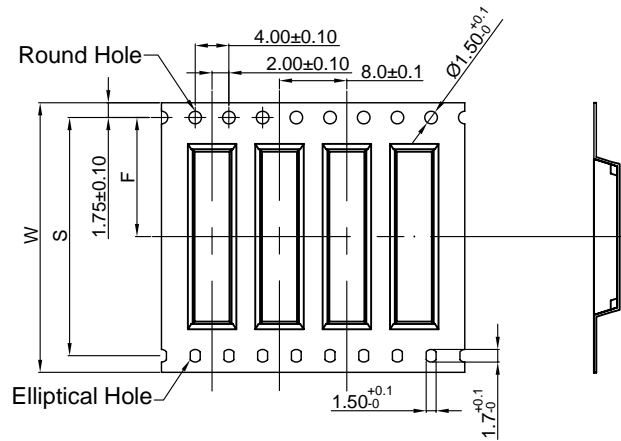


COVER TAPE PEEL STRENGTH:20~120g
上带剥离力量:20~120g

速度 PEEL SPEED:300mm/minute



Single hole: None Hole Side
单孔: 贴无链孔侧
Double hole: Elliptical Hole Side
双孔: 贴椭圆孔侧



Part No.	W	S	F	T (MAX)	G(MAX)	REEL /PCS	CARTON /R	CARTON /PCS
ZD0800WRS-02	12	/	5.50	16.50	12.40	3500	13R	45.5K
ZD0800WRS-03								
ZD0800WRS-04								
ZD0800WRS-05								
ZD0800WRS-06	16	/	7.50	20.50	16.40	3500	11R	38.5K
ZD0800WRS-07								
ZD0800WRS-08								
ZD0800WRS-09								
ZD0800WRS-10								
ZD0800WRS-11	24	/	11.50	28.50	24.40	3500	8R	28K
ZD0800WRS-12								
ZD0800WRS-13								
ZD0800WRS-14								
ZD0800WRS-15								
ZD0800WRS-16								
ZD0800WRS-17	32	28.4	14.20	36.50	32.40	3500	6R	21K
ZD0800WRS-18								
ZD0800WRS-19								
ZD0800WRS-20								

Note:

- Carrier Camber Is Within 1mm In 100mm ; 带长100mm内容许弯曲度1mm
- 10 Sprocket Hole Pitch Cumulative Tolerance±0.2MM ; 圆孔十个孔距离累计允许公差为±0.2mm
- Material for PS ; 材质为PS材质
- Thickness=0.30±0.05 ; 材料厚度为0.30±0.05mm

GENERAL TOLERANCE

- .X ±0.30
- .XX ±0.20
- .XXX ±0.10



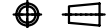
思索连接器有限公司
SWB CONNECTORS CO.,LTD

PART NO. PPN: 0800WRS-XX-XXXX
CPN: ZD0800WRS-XX

TITLE
0.80mm Connectors SMT 90° Package

APPROVAL CHECK DRAWN DATA

PROJECT



Allen 2013/12/09

UNIT SCALE NUMBER REV
MM 1:1 A-106 A

DATE OLD REV NEW REV ECN DESCRIPTION CHECK APPROVAL