

Specifications :

- Voltage rating: 125V AC / DC
- Current rating: 1A AC / DC
- Withstanding voltage: 500V AC/minute
- Temperature range: -25°C~+85°C
- Insulation resistance: ≥100MΩ
- Contact resistance: ≤20mΩ
- After environmental testing: ≤40mΩ



1002 H -XX D -N0 XX HF

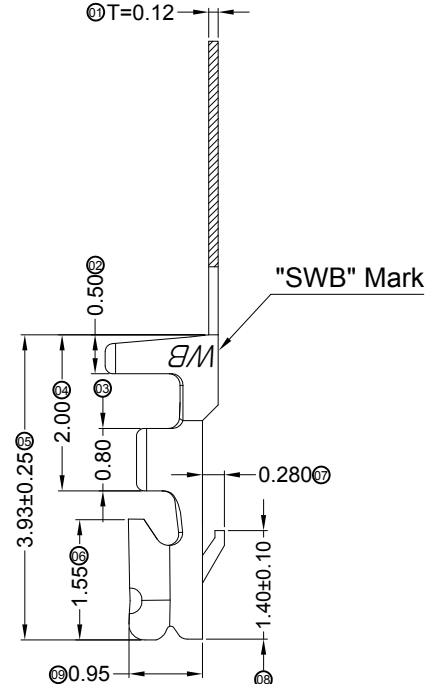
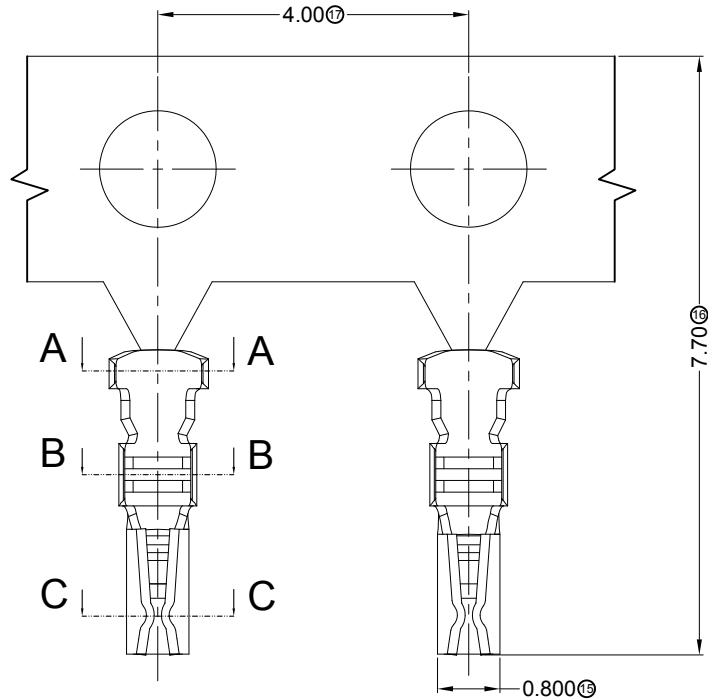
(01) (02) (03) (04) (05) (06) (07)

- (01) Series No.
- (02) Category: H-HSG
- (03) Row No.-Pin No.: XX-02P~20P
- (04) Plug the Pin & special No.
D-Ultra-thin buckles on both sides
- (05) Material: N0-PA66 94V-0
- (06) Color: Blank-natural color
- (07) HF-Halogen Free

Poles	Dimensions(mm)			Poles	Dimensions(mm)		
	A	B	C		A	B	C
02	1.00	6.60	2.30	12	11.00	16.60	12.30
03	2.00	7.60	3.30	13	12.00	17.60	13.30
04	3.00	8.60	4.30	14	13.00	18.60	14.30
05	4.00	9.60	5.30	15	14.00	19.60	15.30
06	5.00	10.60	6.30	16	15.00	20.60	16.30
07	6.00	11.60	7.30	17	16.00	21.60	17.30
08	7.00	12.60	8.30	18	17.00	22.60	18.30
09	8.00	13.60	9.30	19	18.00	23.60	19.30
10	9.00	14.60	10.30	20	19.00	24.60	20.30
11	10.00	15.60	11.30				

1002H-XXD-N0HF	PA66 UL 94V-0 Halogen Free	1002T-D	1002W-D
1002H-XXD-N0	PA66 UL 94V-0		
PART N0	Material	Suitable SWB Terminal	Mates SWB Wafer

DATE	OLD REV	NEW REV	ECN	DESCRIPTION	CHECK	APPROVAL	PROJECT	APPROVAL	CHECK	DRAWN	DATA	UNIT	SCALE	NUMBER	REV
2014/03/24	B	C		Space of a Whole page Changes	Jova Lau	Bob Sun	GENERAL TOLERANCE .X ±0.30 .XX ±0.20 .XXX ±0.10	APPROVAL	CHECK	DRAWN	DATA	MM	1:1	A-022	C
2014/02/07	A	B		Space of a Whole page Changes	Sylvia	Bob Sun									
 思索连接器有限公司 SWB CONNECTORS CO.,LTD								PART NO. 1002H-XXDX-N0HF TITLE 1.00 mm Crimp Style Connectors							
PROJECT 								Bob Sun	Jova Lau	Allen	2013/08/31				

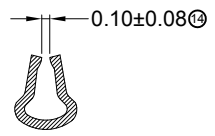


■ Specifications :

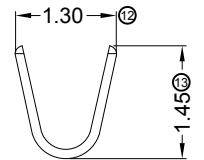
- Voltage rating: 125V AC / DC
- Current rating: 1A AC / DC
- Withstanding voltage: 500V AC/minute
- Temperature range: -25°C~+85°C
- Insulation resistance: ≥100MΩ
- Contact resistance: ≤20mΩ
- After environmental testing: ≤40mΩ

1002 T X-P XX X-D M
 ① ② ③ ④ ⑤ ⑥ ⑦ ⑧

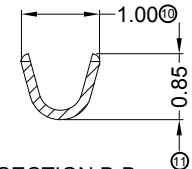
- ① Series Number
- ② Category: T-terminal
- ③ Shape: Blank-ordinary
- ④ Material: P-Phosphor bronze
- ⑤ Plating style:
 V01- All Gold Flash ; V03- All Gold-Plated 3u"
 SN2 - 50u" Ni Min, 120u" Tin Min
 SN - 30u" Ni Min, 70u" Tin Min
- ⑥ Plating method: Blank-Stamping before plating ;
- ⑦ D-Mating Ultra-thin buckles on both sides Wafer
- ⑧ M-With SWB Mark ; Blank- Without SWB Mark



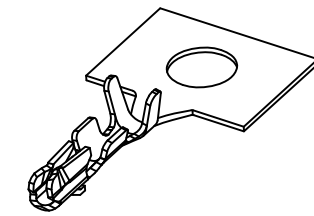
SECTION C-C
SCALE 1 : 1



SECTION A-A
SCALE 1 : 1



SECTION B-B
SCALE 1 : 1



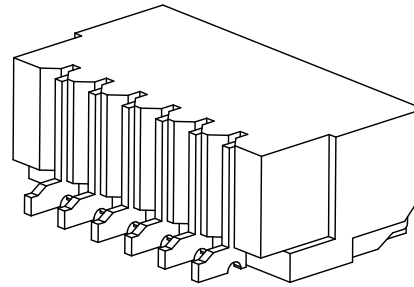
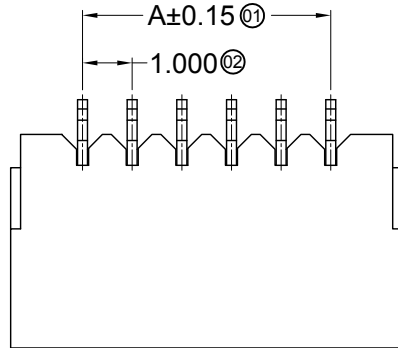
1002T-PSN-DM	Phosphor Bronze	AWG#28-32	0.80mm Max	Stamping Before Plating:30u" Ni:70u"Sn(Min.)	1002H-D
1002T-PV03-D	Phosphor Bronze	AWG#28-32	0.80mm Max	Stamping Before Plating:30u" Ni:Whole Gold :3u" Min.	
1002T-PV01-D	Phosphor Bronze	AWG#28-32	0.80mm Max	Stamping Before Plating:30u" Ni:Whole Gold :Gold Flash	
1002T-PSN2-D	Phosphor Bronze	AWG#28-32	0.80mm Max	Stamping Before Plating:50u" Min Ni;120u"Sn Min	
1002T-PSN-D	Phosphor Bronze	AWG#28-32	0.80mm Max	Stamping Before Plating:30u" Ni:70u"Sn(Min.)	
PART NO	Material	Wire Range	Insulation O.D.	Finish	Used In SWB Housing

2014/03/27	D	E		Add SWB Mark	sylvia	Bob Sun	GENERAL TOLERANCE .X ±0.30 .XX ±0.20 .XXX ±0.10
2014/03/12	C	D		Space of a Whole page Changes	Jova	Bob Sun	
2014/01/20	B	C		Space of a Whole page Changes	Sylvia	Bob Sun	
DATE	OLD REV	NEW REV	ECN	DESCRIPTION	CHECK	APPROVAL	PROJECT

SWB 思索连接器有限公司
 TERMINAL & CONNECTORS SWB CONNECTORS CO.,LTD

APPROVAL	CHECK	DRAWN	DATA
Bob Sun	Jova Lau	Allen Pan	2013/08/31

PART NO.		1002T-PXX-DM	
TITLE			
1.00 mm Crimp Style Connectors			
UNIT	SCALE	NUMBER	REV
MM	1 : 1	A-060	E

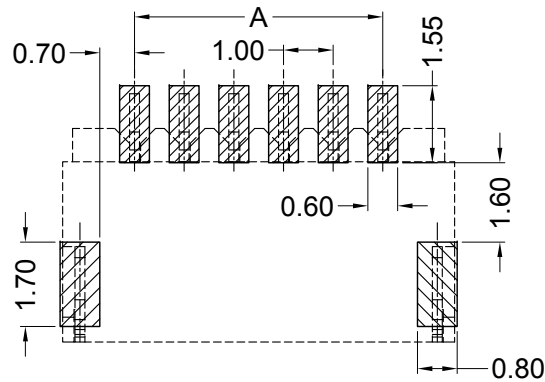
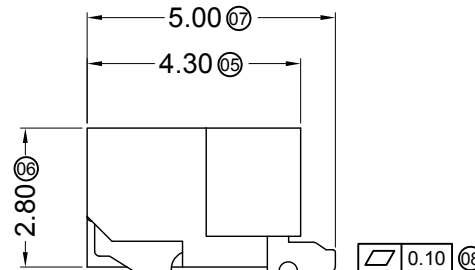
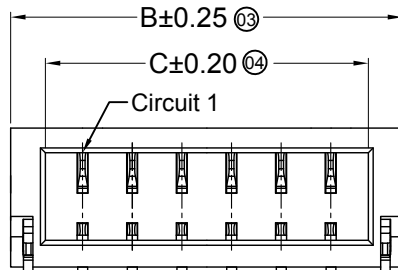


Specifications :

- Voltage rating: 125V AC / DC
- Current rating: 1A AC / DC
- Withstanding voltage: 500V AC/minute
- Temperature range: -25°C~+85°C
- Insulation resistance: ≥100MΩ
- Contact resistance: ≤20mΩ
- After environmental testing: ≤40mΩ

1002 W R S-XX D-XX XX XX
 (1) (2) (3) (4) (5) (6) (7) (8) (9)


- (1) Series No.
- (2) Category: W-wafer
- (3) Welding Board Angle: R-Right Angle 90°
- (4) Welding Way: S-SMT
- (5) Row No.-Pin No.: XX-02P~20P
- (6) Plug the Pin & Special NO.: D-On both sides of the buckle
- (7) Material: 9T-PA9T ; HT-HTN PA6T 94V-0 ; 1T-PA10T
- (8) Planting Category: SN-Bright tin plating 70u" ; 30u" Ni
SW-Matte Tin plating 70u" ; 30u" Ni
- (9) Color: Blank-natural color

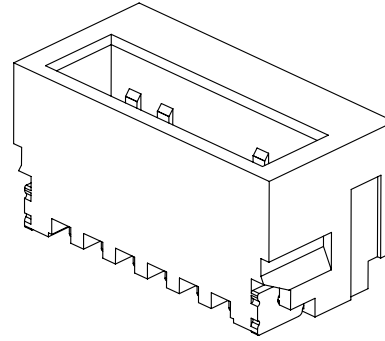
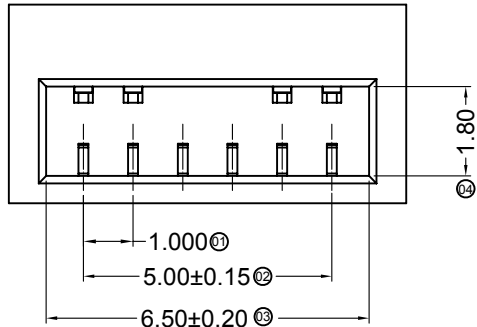


Recommended P.C.B Layout
 General Tolerance±0.05

Poles	Dimensions (mm)			Poles	Dimensions (mm)		
	A	B	C		A	B	C
02	1.00	3.90	2.50	12	11.00	13.90	12.50
03	2.00	4.90	3.50	13	12.00	14.90	13.50
04	3.00	5.90	4.50	14	13.00	15.90	14.50
05	4.00	6.90	5.50	15	14.00	16.90	15.50
06	5.00	7.90	6.50	16	15.00	17.90	16.50
07	6.00	8.90	7.50	17	16.00	18.90	17.50
08	7.00	9.90	8.50	18	17.00	19.90	18.50
09	8.00	10.90	9.50	19	18.00	20.90	19.50
10	9.00	11.90	10.50	20	19.00	21.90	20.50
11	10.00	12.90	11.50				

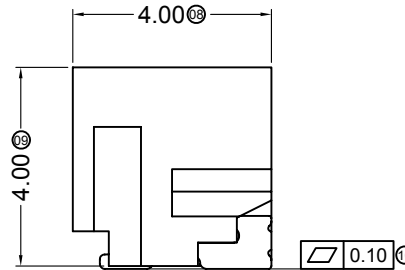
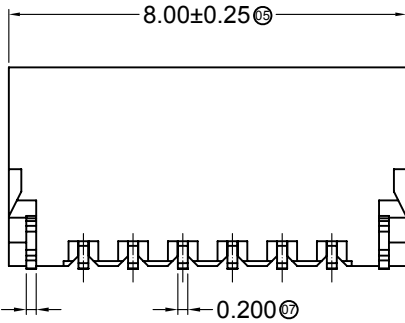
1002WRS-XXD-1TSW	PA10T UL 94V-0	Phorphos Bronze	Tin Plating Matte	1002H-D
1002WRS-XXD-HTSW	HTN PA6T UL 94V-0		Tin Plating Matte	
1002WRS-XXD-9TSN	PA 9T UL 94V-0		Tin-Plated	
PART NO	Material	Material(Pin And Solder Tabs)	Finish(Pin And Solder Tabs)	Mates With SWB Housing

						GENERAL TOLERANCE		SWB 思索连接器有限公司 TERMINAL&CONNECTORS SWB CONNECTORS CO.,LTD				PART NO. 1002WRS-XXD-XXXX					
2014/04/07		B	C	Add 1T Part No		Sylvia	Bob Sun	.X	±0.30	APPROVAL				TITLE 1.00 mm Crimp Style Commtctors			
2014/02/07		A	B	Space of a Whole page Changes		Sylvia	Bob Sun	.XX	±0.20	Bob Sun	Jova Lau	Allen	2013/08/31				
DATE	OLD REV	NEW REV	ECN	DESCRIPTION	CHECK	APPROVAL	PROJECT	.XXX	±0.10	UNIT	SCALE	NUMBER	REV				
										MM	1 : 1	A-106	C				



■ Specifications :

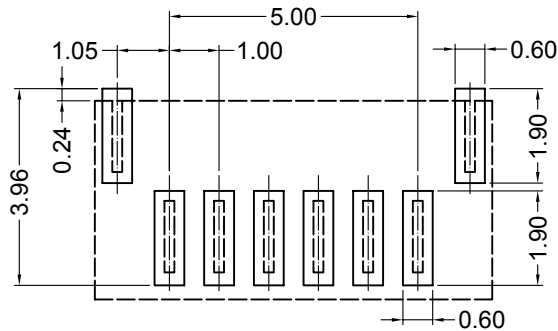
- Voltage rating: 125V AC / DC
- Current rating: 1A AC / DC
- Withstanding voltage: 500V AC/minute
- Temperature range: -25°C~+85°C
- Insulation resistance: ≥100MΩ
- Contact resistance: ≤20mΩ
- After environmental testing: ≤40mΩ



1002 W V S-06 D-9T SN XX


(11) (12) (13) (14) (15) (16) (17) (18) (19)

- (11) Series No.
- (12) Category: W-wafer
- (13) Welding Board Angle: V-Stright Angle 180°
- (14) Welding Way: S-SMT
- (15) Row No.-Pin No.: 06-06P
- (16) Plug the Pin & Special NO.: D-With Lock
- (17) Material: 9T-PA9T UL 94V-0;
- (18) Planting Category:
SN-Bright tin plating 70u"Min. ;30u" Ni
- (19) Color: Blank-Natural color



Recommended P.C.B Layout
General Tolerance±0.05

1002WVS-06D-9TSN	PA 9T UL 94V-0	Phorphos Brone	Tin-Plated	1002H-D
PART NO	Material (Wafer And Cap)	Material (Pin And Solder Tabs)	Finish (Pin And Solder Tabs)	Mates With SWB Housing

							GENERAL TOLERANCE	 思索连接器有限公司 SWB CONNECTORS CO.,LTD				PART NO. 1002WVS-06D-9TSN			
							.X ±0.30 .XX ±0.20 .XXX ±0.10					APPROVAL	CHECK	DRAWN	DATA
DATE	OLD REV	NEW REV	ECN	DESCRIPTION	CHECK	APPROVAL	PROJECT	Jova Lau	Jova Lau	Wuxiaotao	2014/08/12	UNIT MM	SCALE 1:1	NUMBER A-106	REV A