

Specifications :

- Voltage rating: 125 AC / DC
- Current rating: 1A AC / DC
- Withstanding voltage: 500V AC/minute
- Temperature range: -25°C~+85°C
- Insulation resistance: ≥100MΩ
- Contact resistance: ≤20mΩ
- After environmental testing: ≤40mΩ


1002 H -XX B-N0 XX HF

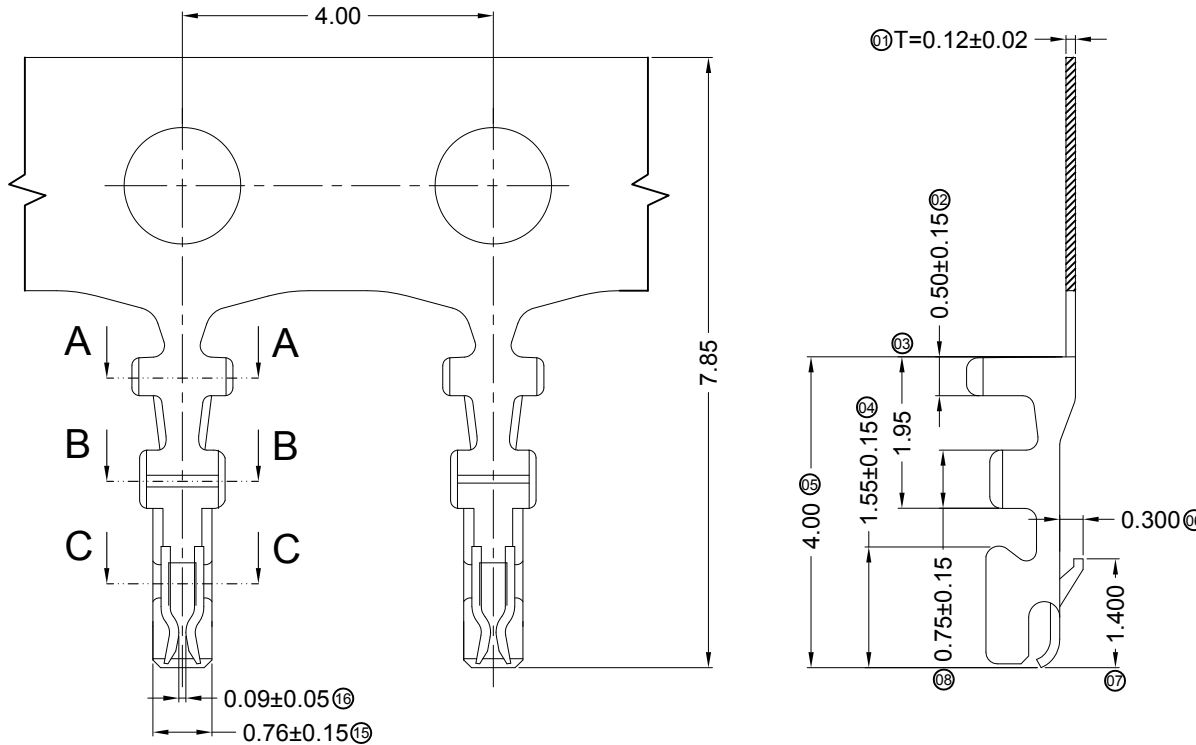
⑪ ⑫ ⑬ ⑭ ⑮ ⑯ ⑰

- ⑪ Series No.
- ⑫ Category: H-HSG
- ⑬ Row No.-Pin No.: XX-02P~20P
- ⑭ Plug the Pin & special No.: B-Ultra-thin hook
- ⑮ Material: N0-PA66 94V-0
- ⑯ Color: Blank-Natural Color
- HF-Halogen Free

Poles	Dimensions(mm)			Poles	Dimensions(mm)		
	A	B	C		A	B	C
02	1.00	3.00	2.40	12	11.00	13.00	12.40
03	2.00	4.00	3.40	13	12.00	14.00	13.40
04	3.00	5.00	4.40	14	13.00	15.00	14.40
05	4.00	6.00	5.40	15	14.00	16.00	15.40
06	5.00	7.00	6.40	16	15.00	17.00	16.40
07	6.00	8.00	7.40	17	16.00	18.00	17.40
08	7.00	9.00	8.40	18	17.00	19.00	18.40
09	8.00	10.00	9.40	19	18.00	20.00	19.40
10	9.00	11.00	10.40	20	19.00	21.00	20.40
11	10.00	12.00	11.40				

1002H-XXB-N0	PA66 UL 94V-0	1002T-A	1002W
1002H-XXB-N0HF	PA66 UL 94V-0 Halogen Free	1002T-A	1002W
PART NO	Material	Suitable SWB Terminal	Mates SWB Wafer

2014/01/20	C	D		Space of a Whole page Changes	Sylvia	Bob Sun	GENERAL TOLERANCE .X ±0.30 .XX ±0.20 .XXX ±0.10	 思索连接器有限公司 SWB CONNECTORS CO.,LTD	PART NO. 1002H-XXB-N0HF						
2013/12/09	B	C		Change "E" Size for 2.8mm	Jova	Bob Sun			TITLE 1.00 mm Crimp Style Connectors						
2013/12/04	A	B		Add "D,E" Size	Jova	Bob Sun			APPROVAL	CHECK	DRAWN	DATA			
DATE	OLD REV	NEW REV	ECN	DESCRIPTION	CHECK	APPROVAL	PROJECT	Bob Sun	Jova Lau	Allen	2013/08/31	UNIT MM	SCALE 1:1	NUMBER A-033	REV D



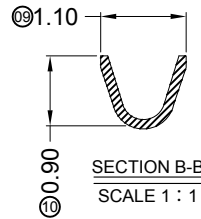
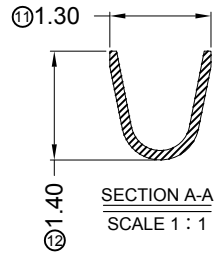
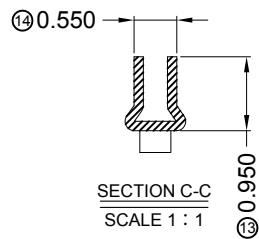
■ Specifications :

- Voltage rating: 125V AC / DC
- Current rating: 1A AC / DC
- Withstanding voltage: 500V AC/minute
- Temperature range: -25°C~+85°C
- Insulation resistance: ≥100MΩ
- Contact resistance: ≤20mΩ
- After environmental testing: ≤40mΩ


1002 T X-P XX X-A

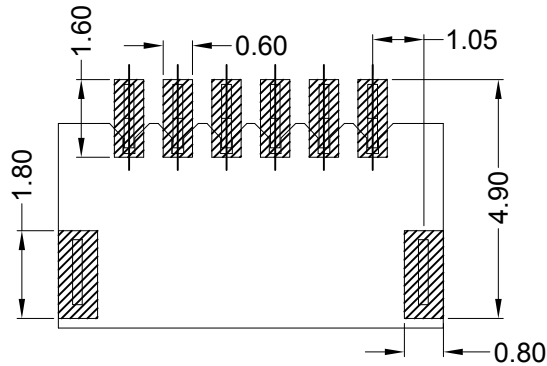
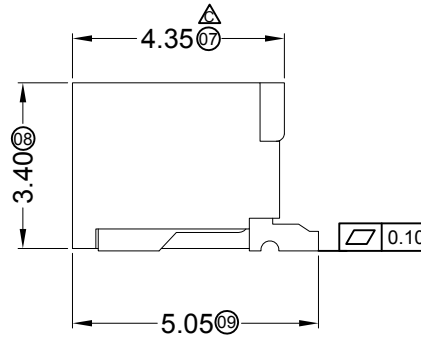
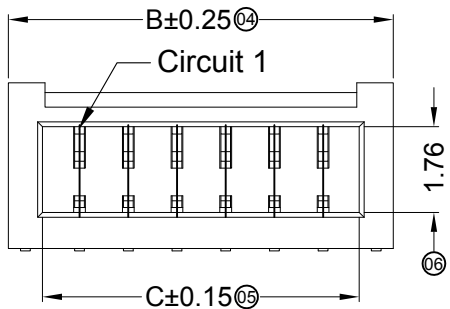
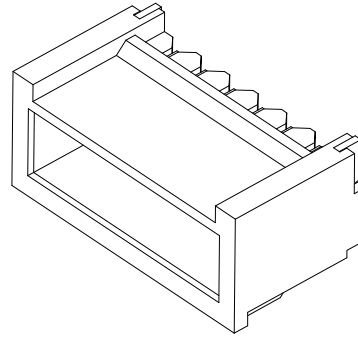
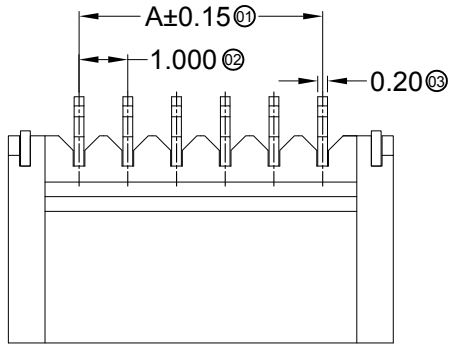
① ② ③ ④ ⑤ ⑥ ⑦

- ① Series Number
- ② Category: T-terminal
- ③ Shape: Blank-ordinary
- ④ Material: P-Phosphor bronze
- ⑤ Plating Style:
V01-All Gold Flash
SN-Bright tin plating 70u" ; 30u" Ni
SN2-50u" Ni Min, 120u" Tin Min
- ⑥ Plating method: Blank-Stamping before plating
- ⑦ Mold No./Mark/Special No. A-Ultra-thin



1002T-PSN2-A	Phospho Bronze	AWG#28-32	0.92mm	Stamping Before Plating:50u" Min Ni ; 120u"Sn Min	1002H-A, 1002H-B
1002T-PV01-A				Stamping Before Pating:30u" Ni ; Whole Gold :Gold Flash	
1002T-PSN-A				Stamping Before Plating:30u" Ni ; 70u"Sn	
PART NO	Material	Wire Range	Insulation O.D.	Finish	Used In SWB Housing

2014/03/12	C	D	/	Space of a Whole page Changes	Jova	Bob Sun	GENERAL TOLERANCE .X ±0.30 .XX ±0.20 .XXX ±0.10	 SWB 思索连接器有限公司 SWB CONNECTORS CO.,LTD	PART NO. 1002T-PXX-A					
2014/01/20	B	C		Space of a Whole page Changes	Sylvia	Bob Sun			TITLE 1.00 mm Crimp Style Connectors					
2013/01/03	A	B		Update the drawing frame company name	Allen	Bob Sun			APPROVAL	CHECK	DRAWN	DATA		
DATE	OLD REV	NEW REV	ECN	DESCRIPTION	CHECK	APPROVAL			Bob Sun	Jova Lau	Allen Pan	2013/08/31	UNIT MM	SCALE 1:1



Recommended P.C.B Layout
General Tolerance±0.05

■ Specifications :

- Voltage rating: 125V AC / DC
- Current rating: 1A AC / DC
- Withstanding voltage: 500V AC/minute
- Temperature range: -25°C~+85°C
- Insulation resistance: ≥100MΩ
- Contact resistance: ≤20mΩ
- After environmental testing: ≤40mΩ

1002 W R S-XX B-XX XX XX

① ② ③ ④ ⑤ ⑥ ⑦ ⑧ ⑨

- ① Series No.
- ② Category: W-wafer
- ③ Welding Board Angle: R- Right Angle 90°
- ④ Welding Way: S-SMT
- ⑤ Row No.-Pin No.: XX-02P~20P
- ⑥ Plug the Pin & Special NO.: B-Ultra-thin With Lock
- ⑦ Material: 9T-PA9T; 1T-PA10T; HT-HTN 6T 94V-0
- ⑧ Planting Category:
SN-Bright tin plating 70" Min. ;30" Ni Min.
SW-Matte Tin plating 70" Min. ;30" Ni Min.
- ⑨ Color: Blank-Natural color

Poles	Dimensions (mm)			Poles	Dimensions (mm)		
	A	B	C		A	B	C
02	1.00	3.90	2.50	12	11.00	13.90	12.50
03	2.00	4.90	3.50	13	12.00	14.90	13.50
04	3.00	5.90	4.50	14	13.00	15.90	14.50
05	4.00	6.90	5.50	15	14.00	16.90	15.50
06	5.00	7.90	6.50	16	15.00	17.90	16.50
07	6.00	8.90	7.50	17	16.00	18.90	17.50
08	7.00	9.90	8.50	18	17.00	19.90	18.50
09	8.00	10.90	9.50	19	18.00	20.90	19.50
10	9.00	11.90	10.50	20	19.00	21.90	20.50
11	10.00	12.90	11.50				

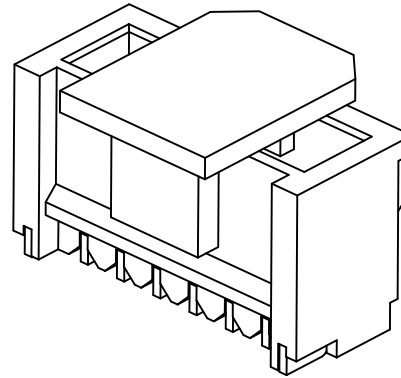
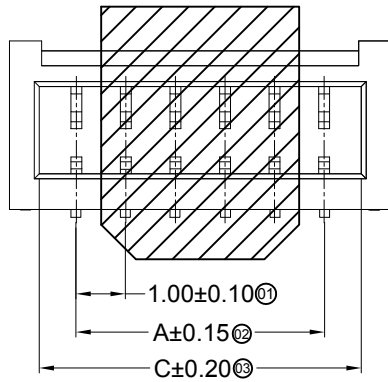
1002WRS-XXB-1TSW	PA 10T UL 94V-0	Phorpos Bronze	Tin Plating Matte
1002WRS-XXB-HTSW	HTN 6T UL 94V-0		Tin Plating Matte
1002WRS-XXB-9TSW	PA9T UL 94V-0		Tin Plating Fog
1002WRS-XXB-9TSN	PA 9T UL 94V-0		Tin-Plated
PART NO	Material	Material (Pin And Solder Tabs)	Finish (Pin And Solder Tabs)

DATE	OLD REV	NEW REV	ECN	DESCRIPTION	CHECK	APPROVAL	PROJECT	APPROVAL	CHECK	DRAWN	DATA	UNIT	SCALE	NUMBER	REV
2014.03.20	B	C		Space of a Whole page Changes Change "7" DIM	Sylvia	Bob Sun	GENERAL TOLERANCE .X ±0.30 .XX ±0.20 .XXX ±0.10	APPROVAL	CHECK	DRAWN	DATA	MM	1:1	A-106	B
2014.01.20	A	B		Space of a Whole page Changes	Sylvia	Bob Sun									
								Bob Sun	Jova Lau	Allen Pan	2013/07/01				

SWB 思索连接器有限公司
TERMINAL&CONNECTORS SWB CONNECTORS CO.,LTD

PART NO. 1002WRS-XXB-XXSW

TITLE 1.00 mm Crimp Style Connectors



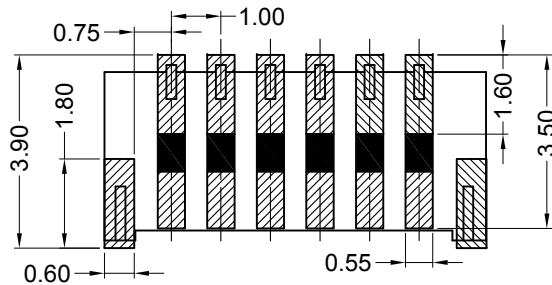
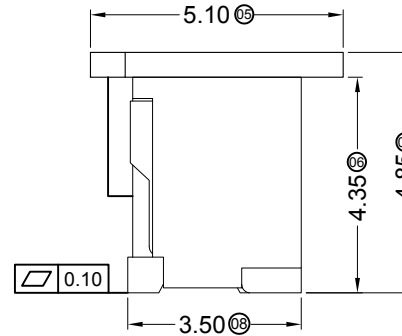
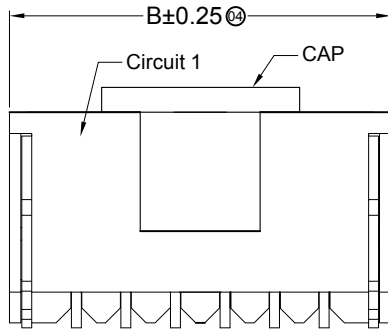
■ Specifications :

- Voltage rating: 125V AC / DC
- Current rating: 1A AC / DC
- Withstanding voltage: 500V AC/minute
- Temperature range: -25°C~+85°C
- Insulation resistance: ≥100MΩ
- Contact resistance: ≤20mΩ
- After environmental testing: ≤40mΩ

1002 W V S-XX B-XX XX XX

(1) (2) (3) (4) (5) (6) (7) (8) (9)


- (1) Series No.
- (2) Category: W-wafer
- (3) Welding Board Angle: V-Stright Angle 180°
- (4) Welding Way: S-SMT
- (5) Row No.-Pin No.: XX-02P~20P
- (6) Plug the Pin & Special NO:
B-With ultra-thin and With Lock
- (7) Material: 9T-PA9T ; HT-HTN 6T ; 1T-PA10T
- (8) Planting Category:
SN-Bright tin plating 70"Min. ;30" Ni
SW-Matte Tin plating 70"Min. ;30" Ni
- (9) Color: Blank-Natural color



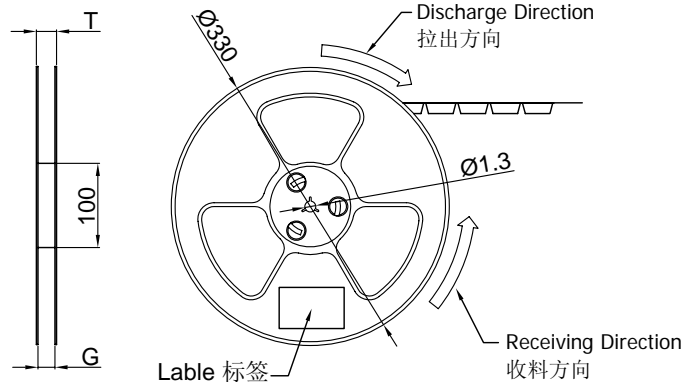
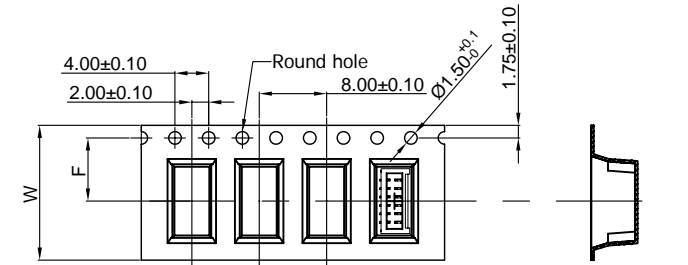
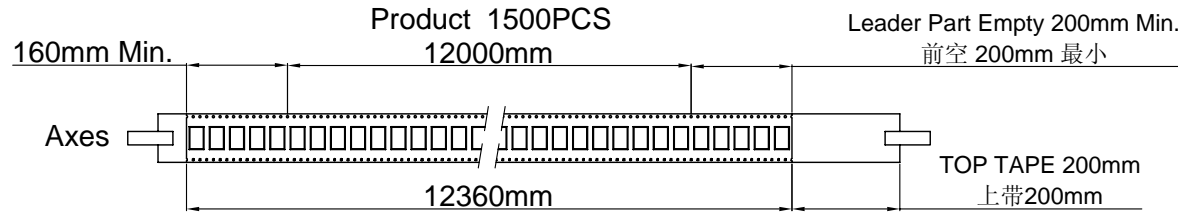
Recommended P.C.B Layout
General Tolerance±0.05

Poles	Dimensions(mm)			Poles	Dimensions(mm)		
	A	B	C		A	B	C
02	1.00	3.70	2.50	12	11.00	13.70	12.50
03	2.00	4.70	3.50	13	12.00	14.70	13.50
04	3.00	5.70	4.50	14	13.00	15.70	14.50
05	4.00	6.70	5.50	15	14.00	16.70	15.50
06	5.00	7.70	6.50	16	15.00	17.70	16.50
07	6.00	8.70	7.50	17	16.00	18.70	17.50
08	7.00	9.70	8.50	18	17.00	19.70	18.50
09	8.00	10.70	9.50	19	18.00	20.70	19.50
10	9.00	11.70	10.50	20	19.00	21.70	20.50
11	10.00	12.70	11.50				

1002WVS-XXB-1TWS	PA10T UL 94V-0	Phorpos Brone	Tin Plating Matte	1002H-B
1002WVS-XXB-HTSW	HTN PA6T UL 94V-0			
1002WVS-XXB-9TSW	PA 9T UL 94V-0		Tin-Plated	
1002WVS-XXB-9TSN	PA 9T UL 94V-0			
PART NO	Material (Wafer And Cap)	Material (Pin And Solder Tabs)	Finish (Pin And Solder Tabs)	Mates With SWB Housing

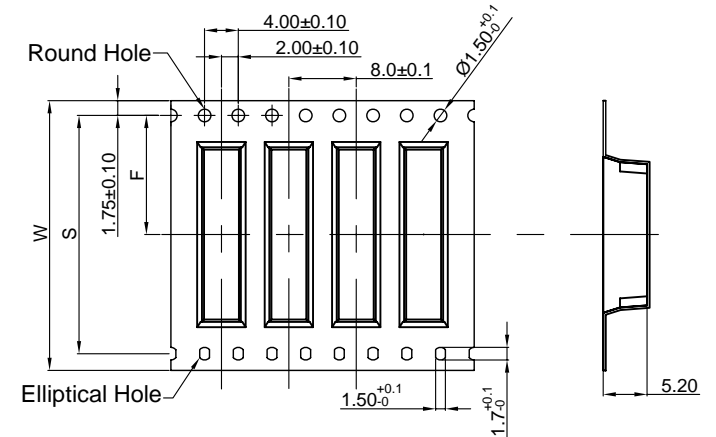
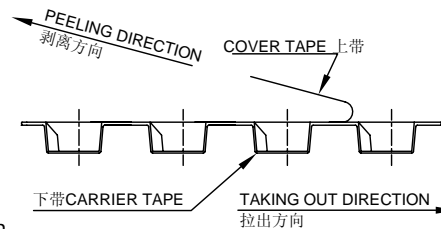
2014/03/21	C	D	/	Space of a Whole page Changes Change "6" Dim For 4.35mm	Jova Lau	Bob Sun	GENERAL TOLERANCE .X ±0.30 .XX ±0.20 .XXX ±0.10	 思索连接器有限公司 SWB CONNECTORS CO.,LTD	PART NO. 1002WVS-XXB-XXXX						
2014/01/21	B	C		Space of a Whole page Changes	Sylvia	Bob Sun			TITLE 1.00 mm Crimp Style Connectors						
2014/01/08	A	B	ECN20140108001	Adjusting the view	Bob	Bob Sun			APPROVAL	CHECK	DRAWN	DATA			
DATE	OLD REV	NEW REV	ECN	DESCRIPTION	CHECK	APPROVAL	PROJECT	Bob Sun	Jova Lau	Allen	2014/01/08	UNIT	SCALE	NUMBER	REV
												MM	1 : 1	A-106	D

RoHS Lead-free

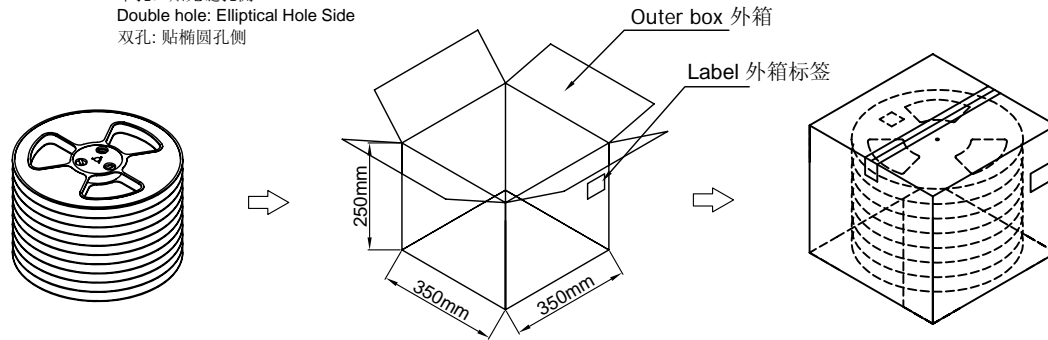


COVER TAPE PEEL STRENGTH:20~120g
上带剥离力量:20~120g

速度 PEEL SPEED:300mm/minute



Single hole: None Hole Side
单孔: 贴无链孔侧
Double hole: Elliptical Hole Side
双孔: 贴椭圆孔侧



Note:

- Carrier Camber Is Within 1mm In 100mm
- 10 Sprocket Hole Pitch Cumulative Tolerance±0.2MM

Part No.	W	S	F	T (MAX)	G (MAX)	REEL /PCS	CARTON /R	CARTON /PCS
ZD1002WRS-02B	16	/	7.50	20.50	16.40	1500	11R	16.5K
ZD1002WRS-03B								
ZD1002WRS-04B								
ZD1002WRS-05B								
ZD1002WRS-06B								
ZD1002WRS-07B								
ZD1002WRS-08B	24	/	11.50	28.50	24.40	1500	8R	12K
ZD1002WRS-09B								
ZD1002WRS-10B								
ZD1002WRS-11B								
ZD1002WRS-12B								
ZD1002WRS-13B								
ZD1002WRS-14B	32	28.40	14.20	36.50	32.40	1500	6R	9K
ZD1002WRS-15B								
ZD1002WRS-16B								
ZD1002WRS-17B								
ZD1002WRS-18B								
ZD1002WRS-19B								
ZD1002WRS-20B	44	40.40	20.20	48.50	44.40	1500	5R	7.5K

GENERAL TOLERANCE

.X ±0.30
.XX ±0.20
.XXX ±0.10



思索连接器有限公司
SWB CONNECTORS CO.,LTD

PART NO. PPN: 1002WRS-XXBX-XXXX
CPN: ZD1002WRS-XXBX

TITLE
1.00mm Connectors SMT 90° Package

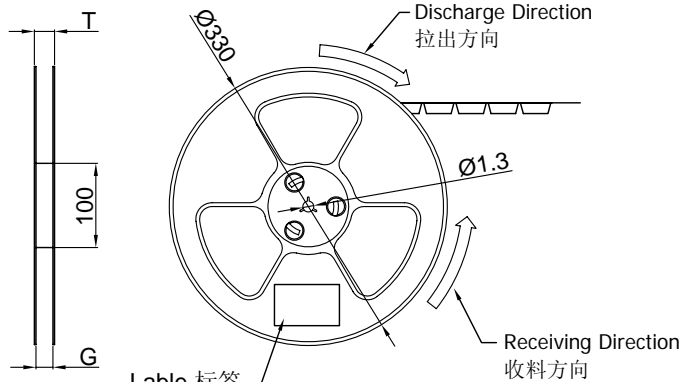
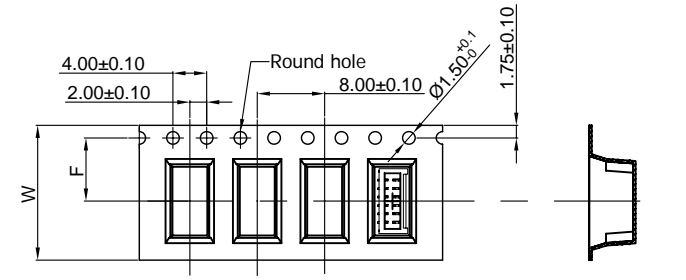
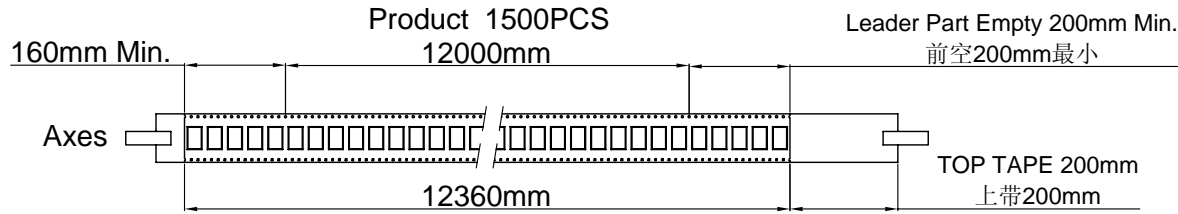
DATE	OLD REV	NEW REV	ECN	DESCRIPTION	CHECK	APPROVAL

PROJECT

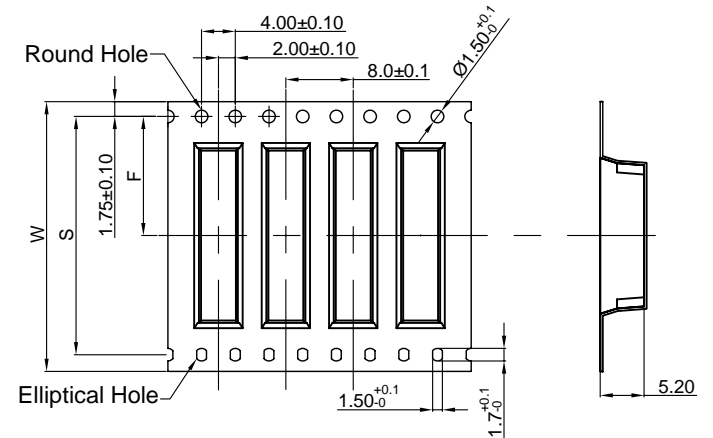
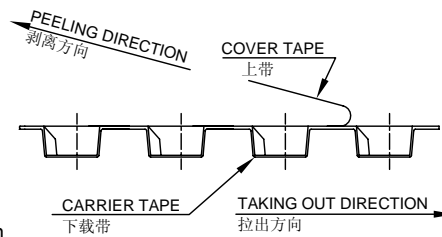
APPROVAL	CHECK	DRAWN	DATA
		Allen	2013/12/09

UNIT	SCALE	NUMBER	REV
MM	1:1	A-106	A

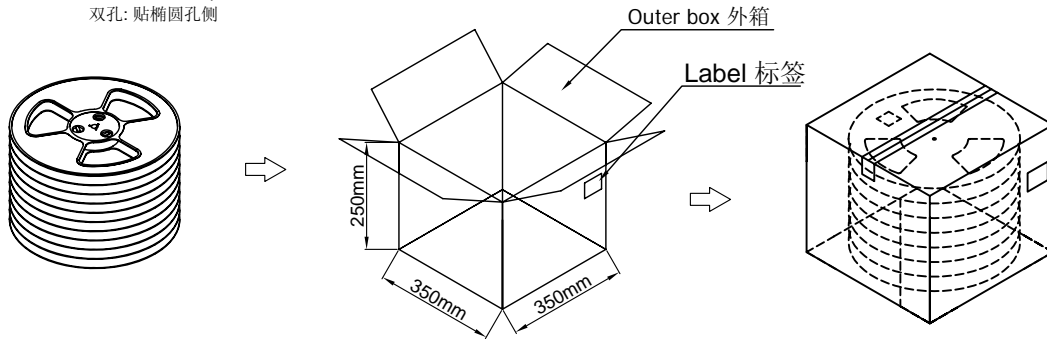
RoHS Lead-free



COVER TAPE PEEL STRENGTH:20~120g
上带剥离力量:20~120g
速度 PEEL SPEED:300mm/minute



Single hole: None Hole Side
单孔: 贴无链孔侧
Double hole: Elliptical Hole Side
双孔: 贴椭圆孔侧



Note:

- Carrier Camber Is Within 1mm In 100mm
- 10 Sprocket Hole Pitch Cumulative Tolerance±0.2MM

Part No.	W	S	F	T (MAX)	G (MAX)	REEL /PCS	CARTON /R	CARTON /PCS
ZD1002WVS-02B	16	/	7.50	20.50	16.40	1500	11R	16.5K
ZD1002WVS-03B								
ZD1002WVS-04B								
ZD1002WVS-05B								
ZD1002WVS-06B								
ZD1002WVS-07B	24	/	11.50	28.50	24.40	1500	8R	12K
ZD1002WVS-08B								
ZD1002WVS-09B								
ZD1002WVS-10B								
ZD1002WVS-11B								
ZD1002WVS-12B	32	28.40	14.20	36.50	32.40	1500	6R	9K
ZD1002WVS-13B								
ZD1002WVS-14B								
ZD1002WVS-15B								
ZD1002WVS-16B								
ZD1002WVS-17B	44	40.40	20.20	48.50	44.40	1500	5R	7.5K
ZD1002WVS-18B								
ZD1002WVS-19B								
ZD1002WVS-20B								

GENERAL TOLERANCE
.X ±0.30
.XX ±0.20
.XXX ±0.10

SWB 思索连接器有限公司
Terminal Connectors SWB CONNECTORS CO.,LTD

PART NO. PPN: 1002WVS-XXBX-XXXX
CPN: ZD1002WVS-XXBX

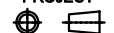
APPROVAL CHECK DRAWN DATA

TITLE
1.00mm Connectors SMT 180° Package

PROJECT

UNIT SCALE NUMBER REV
MM 1:1 A-106 A

DATE OLD REV NEW REV ECN DESCRIPTION CHECK APPROVAL



Allen 2013/12/09