

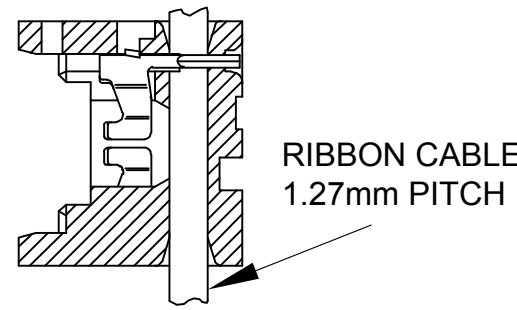
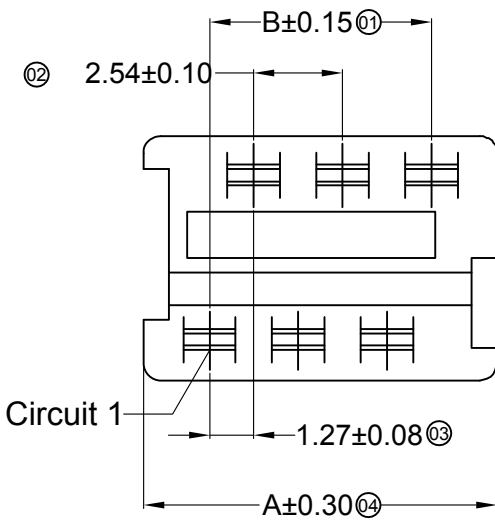
RoHS  Lead-free

**Specifications :**

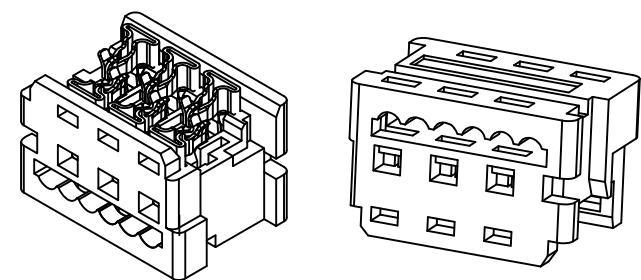
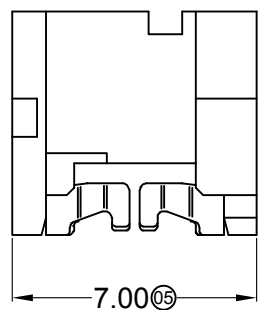
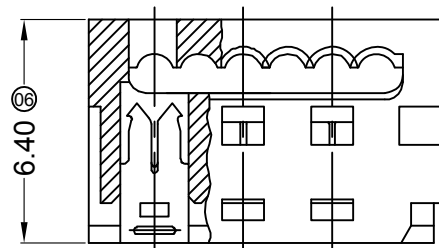
- Voltage rating: 250V AC / DC
- Current rating: 1.2A AC / DC
- Withstanding voltage: 1000V AC/minute
- Temperature range: -40°C~+85°C
- Insulation resistance: ≥1000MΩ
- Contact resistance: ≤10mΩ
- After environmental testing: ≤20mΩ

1273 HI - 2\* XX X - PT X  
 ① ② ③ ④ ⑤ ⑥ ⑦

- ① Series No.
- ② Category: H-HSG
- ③ Welding Board Angle: I-HSG+hardware
- ④ Row No.-Pin No.: 2\*XX-Double row
- ⑤ Plug the Pin & special No.
- ⑥ Material: PT-PBT 94V-0
- ⑦ Color: Blank-natural color



SECTION SHOWING ASSY AFTER TERMINATION



Poles	Dimensions (mm)	
	A	B
04	7.59	3.81
06	10.13	6.35
08	12.67	8.89
10	15.21	11.43
12	17.75	13.97
14	20.29	16.51
16	22.83	19.05
18	25.37	21.59
20	27.91	24.13
22	30.45	26.67
24	32.99	29.21
26	35.53	31.75

1273HI-2*XX-PT	PBT UL 94V-0	Phosphor Bronze	Tin-Plated
PART NO	Material	Material(Pin)	Finish(Terminal)

GENERAL TOLERANCE

.X	±0.30
.XX	±0.20
.XXX	±0.10

**SWB** 思索连接器有限公司  
 Terminal & Connectors SWB CONNECTORS CO., LTD

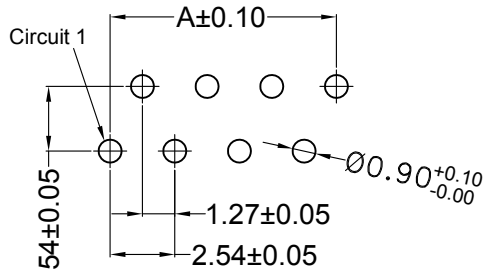
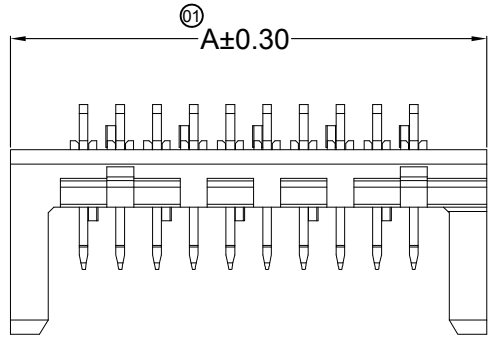
PART NO. 1273HI-2\*XX-PT  
 TITLE 1.27mm Crimp Style Connectors

DATE	OLD REV	NEW REV	ECN	DESCRIPTION	CHECK	APPROVAL	PROJECT

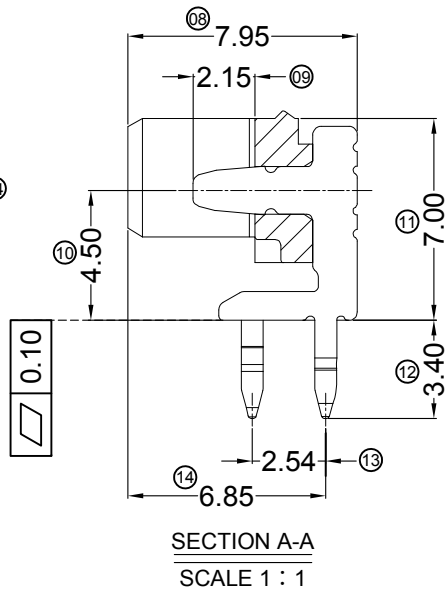
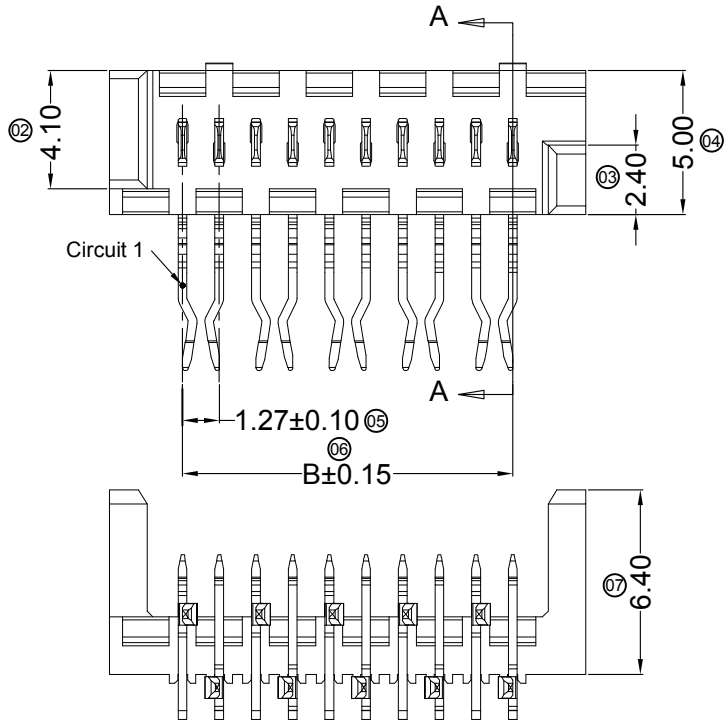
APPROVAL	CHECK	DRAWN	DATA
		Allen	2013/10/15

UNIT	SCALE	NUMBER	REV
MM	1:1	A-016	A

RoHS  Lead-free



Recommended  
P.C.B Layout

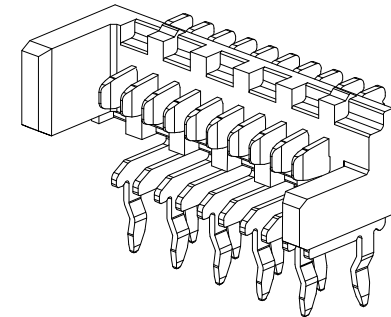


■ Specifications :

- Voltage rating: 15V AC / DC
- Current rating: 1.5A AC / DC
- Withstanding voltage: 500V AC/minute
- Temperature range: -25°C~+85°C
- Insulation resistance: ≥1000MΩ
- Contact resistance: ≤30mΩ
- After environmental testing: ≤40mΩ

1273 W R X - 2\*XX X - 6T SW XX  
① ② ③ ④ ⑤ ⑥ ⑦ ⑧ ⑨

- ① Series No.
- ② Category: W-wafer
- ③ Welding Board Angle: R-90°
- ④ Welding Way: Blank-DIP
- ⑤ Row No.-Pin No.: 2\*XX-Double
- ⑥ Plug the Pin & Special NO.
- ⑦ Material: 6T-PA6T 94V-0
- ⑧ Plating Category:  
V: All Gold-Plated  
G: Gold-Plated Contact  
\*01-Gold Flash ; \*02-2u" ; \*03-3u"  
\*05-5u" ; \*10-10u" ; \*15-15u" ;  
SN-Bright tin plating 70-120u"  
SN1-Bright tin plating 120u"Min.  
SW-Fog Tin plating  
HS-High temperature Tin
- ⑨ Color:  
Blank-natural color



Poles	Dimensions(mm)	
	A	B
04	8.89	3.81
06	11.40	6.35
08	13.94	8.89
10	16.48	11.43
12	19.02	13.97
14	21.56	16.51
16	24.10	19.05
18	26.64	21.59
20	29.18	24.13
22	31.72	26.67
24	34.26	29.21
26	36.77	31.72

1273WR-2*XX-6TSW	PA6T UL 94V-0	Brass	Tin-Fog	1273HI	1,000Pcs
PART NO	Material	Material(Pin)	Finish(Pin)	Mates With SWB Housing	Q'ty/Bag

GENERAL TOLERANCE  
.X ±0.30  
.XX ±0.20  
.XXX ±0.10

**SWB** 思索连接器有限公司  
Terminal & Connectors SWB CONNECTORS CO., LTD

PART NO.  
1273WR-2\*XX-6TSW  
TITLE  
1.27mm Crimp Style Connectors

PROJECT  


APPROVAL	CHECK	DRAWN	DATA
		Allen	2013/10/15

UNIT	SCALE	NUMBER	REV
MM	1:1	A-030	A

DATE	OLD REV	NEW REV	ECN	DESCRIPTION	CHECK	APPROVAL

RoHS  Lead-free

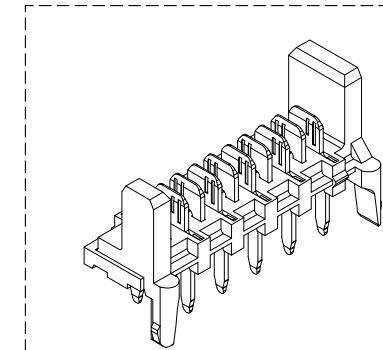
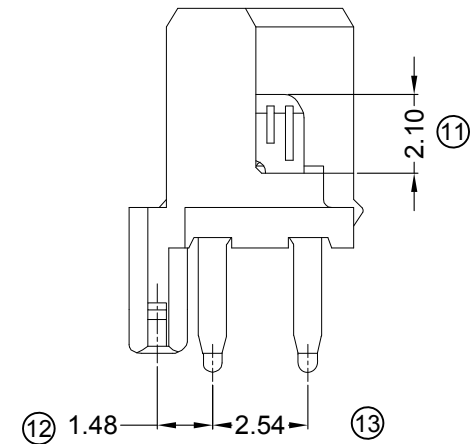
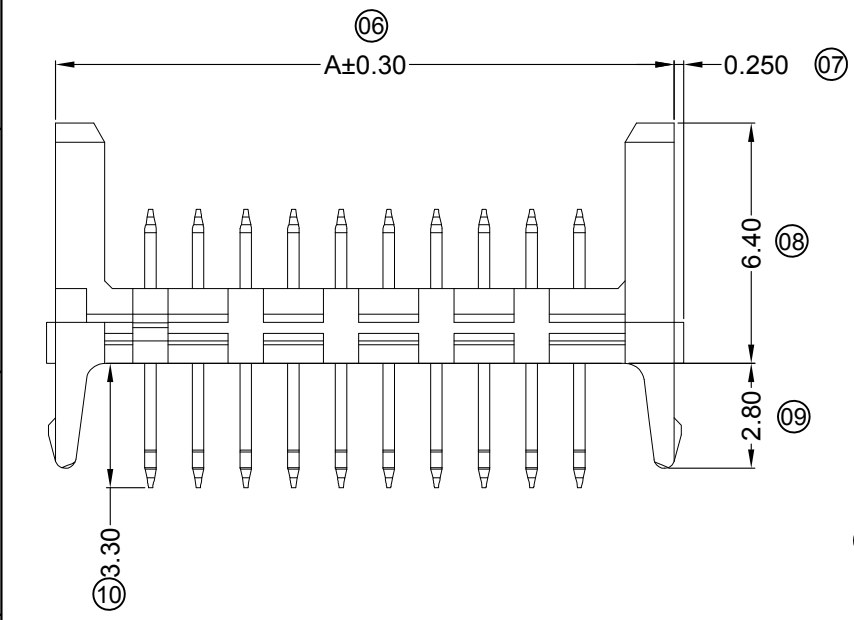
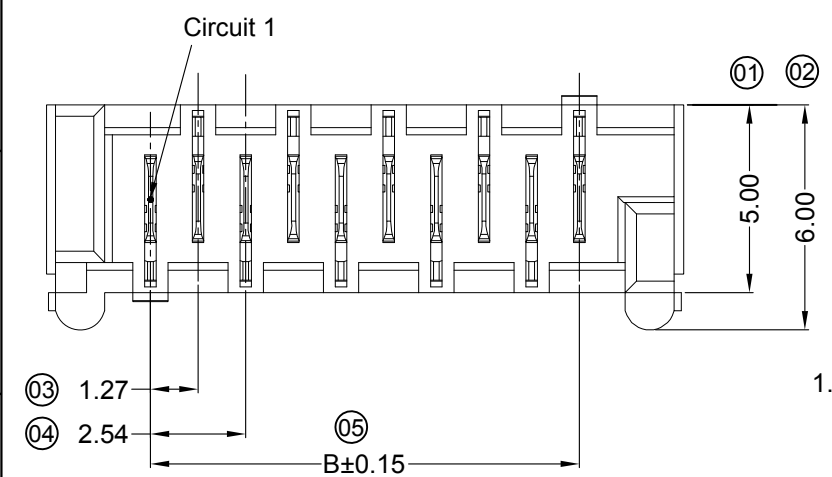
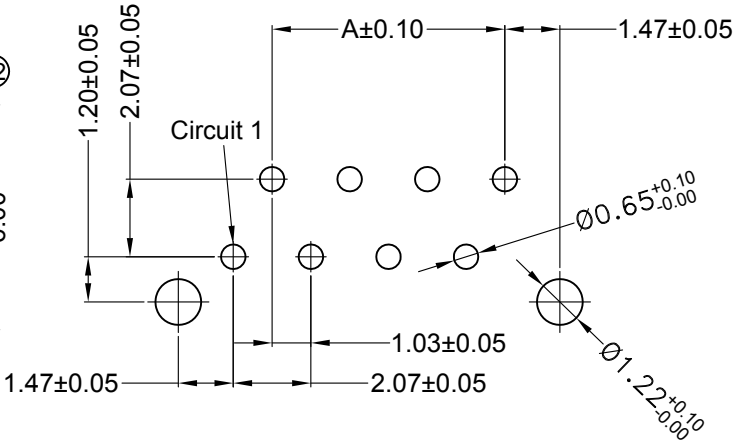
■ Specifications :

- Voltage rating: 15V AC / DC
- Current rating: 1.5A AC / DC
- Withstanding voltage: 500V AC/minute
- Temperature range: -25°C~+85°C
- Insulation resistance: ≥1000MΩ
- Contact resistance: ≤30mΩ
- After environmental testing: ≤40mΩ

1273 W V X - 2\*XX X - 1T SN XX  
 ① ② ③ ④ ⑤ ⑥ ⑦ ⑧ ⑨


- ① Series No.
- ② Category: W-wafer
- ③ Welding Board Angle: V-180°
- ④ Welding Way: Blank-DIP
- ⑤ Row No.-Pin No.: 2\*XX-Double
- ⑥ Plug the Pin & Special NO.
- ⑦ Material: 1T-PA10T 94V-0
- ⑧ Planting Category: SN-Bright tin plating
- ⑨ Color: Blank-natural color

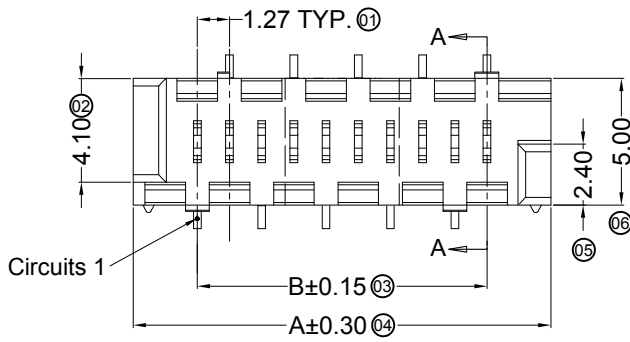
Recommended P.C.B Layout



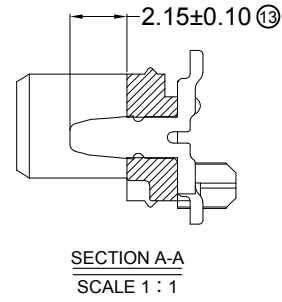
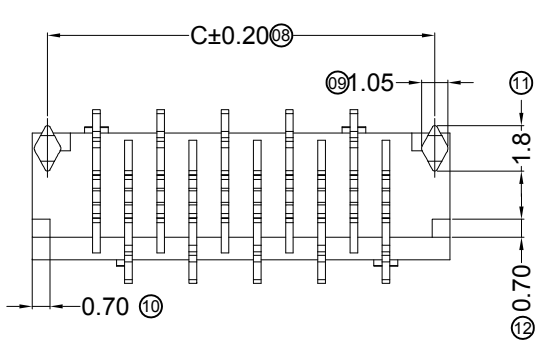
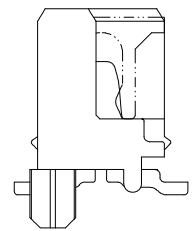
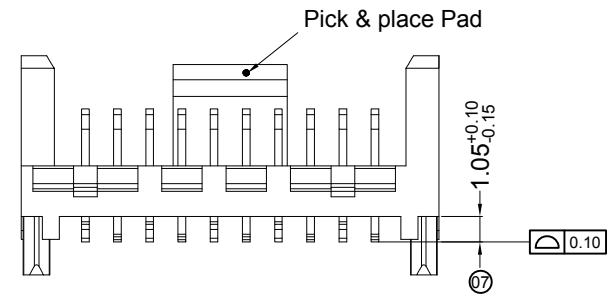
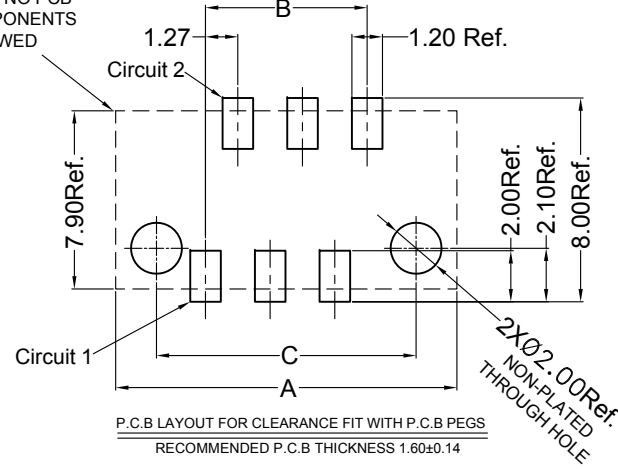
Poles	Dimensions(mm)	
	A	B
04	8.89	3.81
06	11.40	6.35
08	13.94	8.89
10	16.48	11.43
12	19.02	13.97
14	21.56	16.51
16	24.10	19.05
18	26.64	21.59
20	29.18	24.13
22	31.72	26.67
24	34.26	29.21
26	36.77	31.72

1273WV-2*XX-1TSN	PA10T UL 94V-0	Brass	Tin-Plated	1273HI	1,000Pcs
PART NO	Material	Material(Pin)	Finish(Pin)	Mates With SWB Housing	Q'ty/Bag

							<b>GENERAL TOLERANCE</b> .X ±0.30 .XX ±0.20 .XXX ±0.10				<b>SWB 思索连接器有限公司</b> Terminal & Connectors SWB CONNECTORS CO.,LTD				<b>PART NO.</b> 1273WV-2*XX-1TSN			
							<b>APPROVAL</b> <b>CHECK</b> <b>DRAWN</b> <b>DATA</b>				<b>TITLE</b> 1.27mm Crimp Style Connectors							
<b>DATE</b>	<b>OLD REV</b>	<b>NEW REV</b>	<b>ECN</b>	<b>DESCRIPTION</b>	<b>CHECK</b>	<b>APPROVAL</b>	<b>PROJECT</b>					<b>UNIT</b>	<b>SCALE</b>	<b>NUMBER</b>	<b>REV</b>			
										Allen	2013/10/15	MM	1:1	A-030	A			



RESTRICTED AREA NO PCB COMPONENTS ALLOWED



■ Specifications :

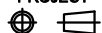
- Voltage rating: 500V AC / DC
- Current rating: 1.5A AC / DC
- Withstanding voltage: 500V AC/minute
- Temperature range: -25°C~+85°C
- Insulation resistance: ≥1000MΩ
- Contact resistance: ≤15mΩ
- After environmental testing: ≤20mΩ

1273 W V S-2\*XX X- 1T SN XX  
 (1) (2) (3) (4) (5) (6) (7) (8) (9)

- ① Series No.
- ② Category: W-wafer
- ③ Welding Board Angle: V- Straight 180°
- ④ Welding Way: S-SMT
- ⑤ Row No.-Pin No.: 2\*XX-2\*02P~2\*13P
- ⑥ Plug the Pin & Special No.:
- ⑦ Material: 1T-PA10T 94V-0 ;
- ⑧ Planting Category: SN-Bright tin plating
- ⑨ Color: Blank-Natural Color

Poles	Dimensions(mm)		
	A	B	C
2*02	8.89	3.81	7.66
2*03	11.40	6.35	10.20
2*04	13.94	8.89	12.74
2*05	16.48	11.43	15.28
2*06	19.02	13.97	17.82
2*07	21.56	16.51	20.36
2*08	24.10	19.05	22.90
2*09	26.64	21.59	25.44
2*10	29.18	24.13	27.98
2*11	31.72	26.67	30.52
2*12	34.26	29.21	33.06
2*13	36.77	31.72	35.57

1273WVS-2*XX-1TSN	PA10T UL 94V-0	Brass	Tin-Plated	1273HI
PART NO	Material	Material(Pin)	Finish(Pin)	Mates With SWB Housing

							<b>GENERAL TOLERANCE</b> .X ±0.30 .XX ±0.20 .XXX ±0.10				<b>SWB 思索连接器有限公司</b> Terminal & Connectors SWB CONNECTORS CO.,LTD				<b>PART NO.</b> 1273WVS-2*XX-1TSN			
2014/11/18 A B Space of a Whole page Changes sylvia							<b>APPROVAL</b> <b>CHECK</b> <b>DRAWN</b> <b>DATA</b>				<b>TITLE</b> 1.27 mm Crimp Style Connectors							
<b>DATE</b>	<b>OLD REV</b>	<b>NEW REV</b>	<b>ECN</b>	<b>DESCRIPTION</b>	<b>CHECK</b>	<b>APPROVAL</b>	<b>PROJECT</b>					<b>UNIT</b>	<b>SCALE</b>	<b>NUMBER</b>	<b>REV</b>			
												MM	1:1	A-016	B			