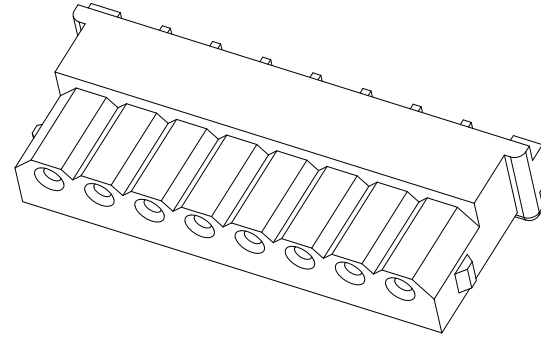
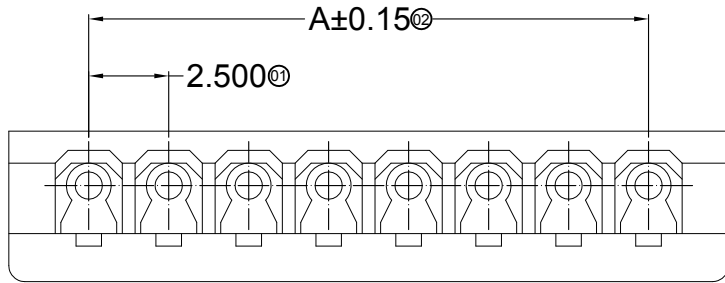
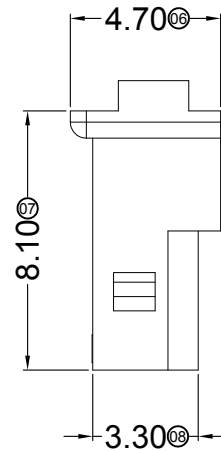
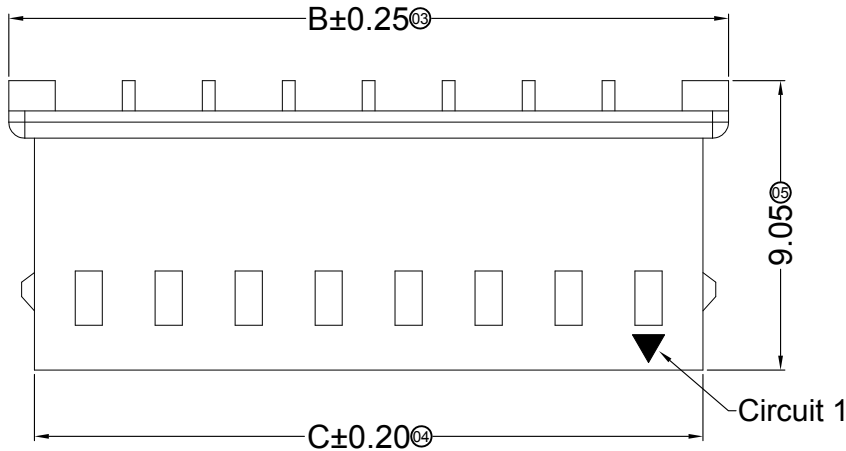


RoHS  Lead-free



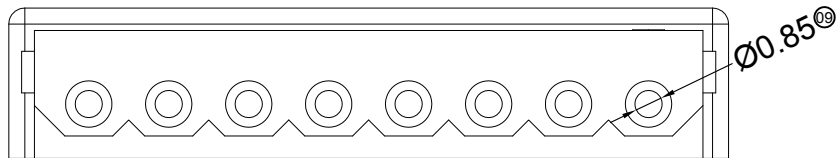
■ Specifications :

- Voltage rating: 250V AC / DC
- Current rating: 3A AC / DC
- Withstanding voltage: 1000V AC/minute
- Temperature range: -25°C~+85°C
- Insulation resistance: ≥1000MΩ
- Contact resistance: ≤20mΩ
- After environmental testing: ≤30mΩ



2564 H X-XX X-N0 XX
① ②③ ④ ⑤ ⑥ ⑦

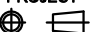
- ① Series No.
- ② Category: H-HSG
- ③ Appearance type: Blank-Ordinary
- ④ Row No.-Pin No.: XX-02P~16P
- ⑤ Plug the Pin & special No.: Blank-Ordinary
- ⑥ Material: N0-PA66 94V-0
- ⑦ Color: Blank-Natural Color
HF-Halogen Free



Poles	Dimensions (mm)			Poles	Dimensions (mm)		
	A	B	C		A	B	C
02	2.50	7.50	5.90	10	22.50	27.50	25.90
03	5.00	10.00	8.40	11	25.00	30.00	28.40
04	7.50	12.50	10.90	12	27.50	32.50	30.90
05	10.00	15.00	13.40	13	30.00	35.00	33.40
06	12.50	17.50	15.90	14	32.50	37.50	35.90
07	15.00	20.00	18.40	15	35.00	40.00	38.40
08	17.50	22.50	20.90	16	37.50	42.50	40.90
09	20.00	25.00	23.40				

2564H-XX-N0HF	PA66 UL 94V-0 Halogen Free	2564T	2564W
2564H-XX-N0	PA66 UL 94V-0		
PART NO	Material	Suitable SWB Terminal	Mates With SWB Wafer

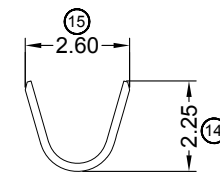
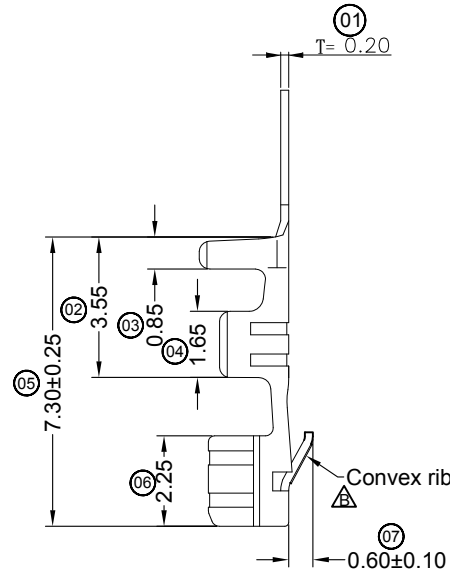
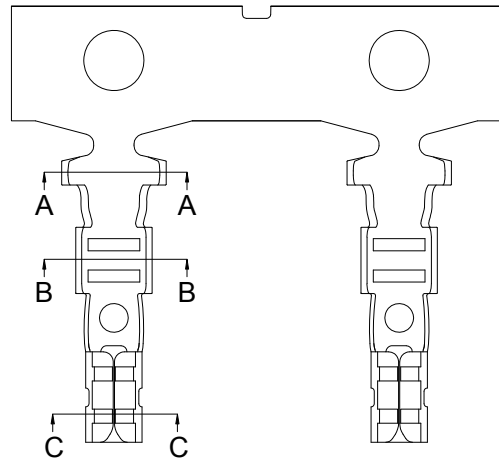
2014/07/30	C	D	Space of a Whole page Changes	Jova	Bob	
DATE	OLD REV	NEW REV	ECN	DESCRIPTION	CHECK	APPROVAL

GENERAL TOLERANCE	
.X	±0.30
.XX	±0.20
.XXX	±0.10
PROJECT	

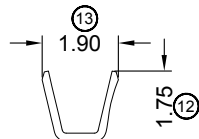
SWB 思索连接器有限公司
TERMINALS & CONNECTORS SWB CONNECTORS CO.,LTD

APPROVAL	CHECK	DRAWN	DATA
Jova Lau	W.X.T	Wuxiaotao	2014/07/30

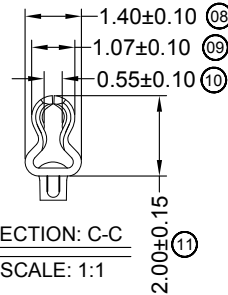
PART NO. 2564H-XX-N0XX			
TITLE 2.50mm Crimp Style Connectors			
UNIT	SCALE	NUMBER	REV
MM	1:1	A-003	D



SECTION: A-A
SCALE: 1:1



SECTION: B-B
SCALE: 1:1



SECTION: C-C
SCALE: 1:1

■ Specifications :

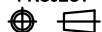
- Voltage rating: 250V AC / DC
- Current rating: 3A AC / DC
- Withstanding voltage: 1000V AC/minute
- Temperature range: -25°C~+85°C
- Insulation resistance: ≥1000MΩ
- Contact resistance: ≤20mΩ
- After environmental testing : ≤30mΩ

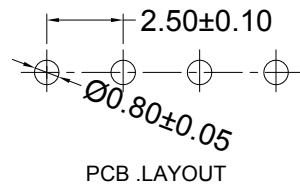
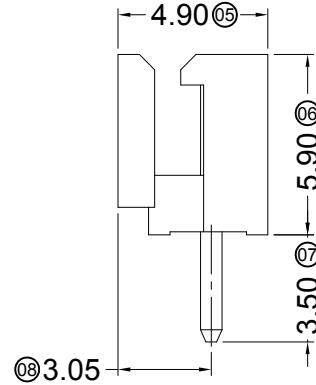
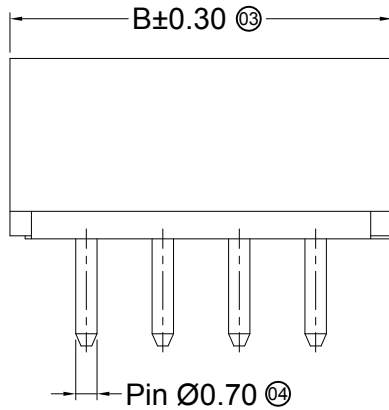
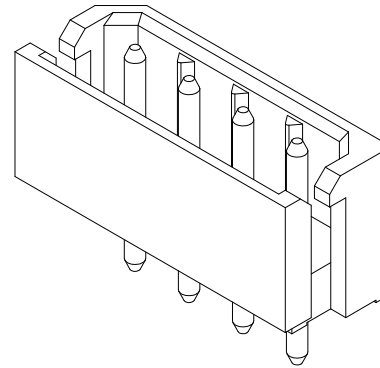
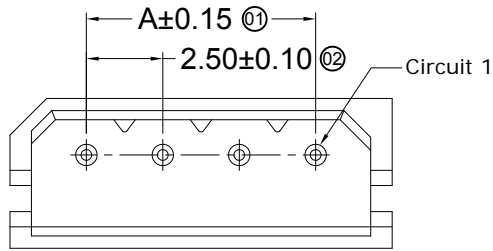
2564 T X-X SN X-X

① ② ③ ④ ⑤ ⑥ ⑦

- ① Series No.
- ② Category: T-Terminal
- ③ Appearance type: Blank-Ordinary
- ④ Material: P-Phosphor bronze
B-Brass
- ⑤ Plating Style: G**-Gold Plated Contact
V**- All Gold-Plated
01-Gold Flash 02-2u" 03-3u"
05-5u" 10-10u" 15-15u"
SN-Bright Tin Plating (70-120u")
SN1-Bright Tin Plating (120u" Min).
0-No Plating Material
SW- Fog Tin Plating
- ⑥ Plating Method : Blank-Stamping before Plating
B-Plating before stamping
- ⑦ Mold No./Mark/Special No.

2564T-BSNB	Brass			Plating Before Stamping:10~30u" Ni;40~60u"Sn		
2564T-BSN	Brass	AWG#22-28	1.90mm(Max)	Stamping Before Plating:30~50u" Ni;70~120u"Sn	2564H	10,000Pcs
2564T-PSN	Phosphor Bronze					
PART NO	Material	Wire Range	Insulation O.D.	Finish	Used In SWB Housing	Q'ty/Reel

							GENERAL TOLERANCE .X ±0.30 .XX ±0.20 .XXX ±0.10				SWB 思索连接器有限公司 Terminal & Connectors SWB CONNECTORS CO.,LTD				PART NO. 2564T-XSN			
							APPROVAL CHECK DRAWN DATA				TITLE 2.50 mm Crimp Style Connectors							
2014/04/14	A	B	Modify the hook shape			Jova	PROJECT 				Wuxiaotao 2014/04/14							
DATE	OLD REV	NEW REV	ECN	DESCRIPTION	CHECK	APPROVAL	UNIT MM SCALE 1:1 NUMBER A-009 REV B											



■ Specifications :


- Voltage rating: 250V AC / DC
- Current rating: 3A AC / DC
- Withstanding voltage: 1000V AC/minute
- Temperature range: -25°C~+85°C
- Insulation resistance: ≥1000MΩ
- Contact resistance: ≤20mΩ
- After environmental testing: ≤30mΩ

2564 W V X-XX X -N0 SN XX
 ① ② ③ ④ ⑤ ⑥ ⑦ ⑧ ⑨

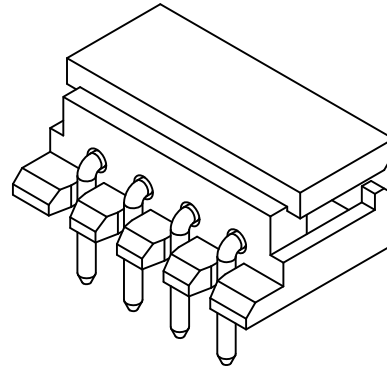
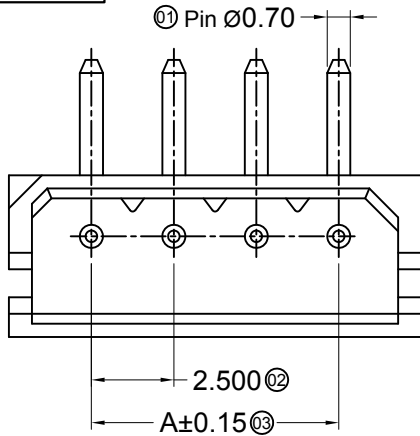
- ① Series No.
- ② Category: W-WAFER
- ③ Welding Board Angle: V-180°
- ④ Welding Way: Blank-DIP
- ⑤ Row No.-Pin No.: XX-Single Row
- ⑥ Plug the Pin & Special No.
- ⑦ Material: N0 -PA66 94V-0
- ⑧ Plating Category:
SN-Bright Tin Plating (70u" Min.)
- ⑨ Color : Blank-Natural Color

Poles	Dimensions (mm)		Poles	Dimensions (mm)		Poles	Dimensions (mm)	
	A	B		A	B		A	B
02	2.50	7.50	07	15.00	20.00	12	27.50	32.50
03	5.00	10.00	08△	17.50	22.50	13	30.00	35.00
04	7.50	12.50	09	20.00	25.00	14	32.50	37.50
05	10.00	15.00	10	22.50	27.50	15	35.00	40.00
06	12.50	17.50	11	25.00	30.00	16	37.50	42.50

2564WV-XX-N0SN	Nylon 66 UL 94V-0	Brass	Tin-Plated	2564H
PART NO	Material	Material(Pin)	Finish(Pin)	Mates With SWB Housing

2014/05/20	C	D		Change 08Pin B DIM	sylvia		GENERAL TOLERANCE .X ±0.30 .XX ±0.20 .XXX ±0.10	 思索连接器有限公司 Terminal & Connectors SWB CONNECTORS CO.,LTD	PART NO. 2564WV-XX-N0SN					
2014/04/18	B	C		Change 1,2 DIM	Jova				TITLE 2.50 mm Crimp Style Connectors					
2013/08/24	A	B		Modify the drawing frame format	Jova				APPROVAL	CHECK	DRAWN	DATA		
DATE	OLD REV	NEW REV	ECN	DESCRIPTION	CHECK	APPROVAL	PROJECT		Jova	2012/09/27	UNIT MM	SCALE 1:1	NUMBER A-106	REV C

RoHS  Lead-free

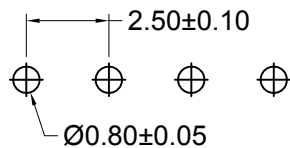
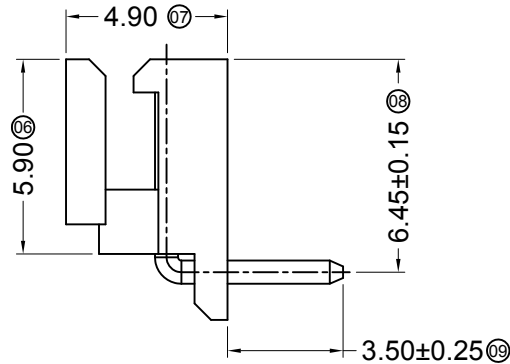
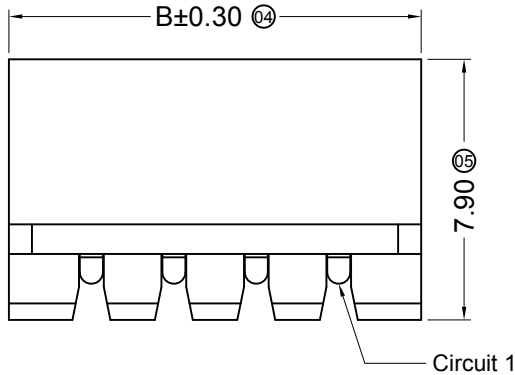


■ Specifications :

- Voltage rating: 250V AC / DC
- Current rating: 3A AC / DC
- Withstanding voltage: 1000V AC/minute
- Temperature range: -25°C~+85°C
- Insulation resistance: ≥1000MΩ
- Contact resistance: ≤20mΩ
- After environmental testing: ≤30mΩ

2564 W R X-XX X -N0 SN XX
 ① ② ③ ④ ⑤ ⑥ ⑦ ⑧ ⑨


- ① Series No.
- ② Category: W-WAFER
- ③ Welding Board Angle: R-90°
- ④ Welding Way: Blank-DIP
- ⑤ Row No.-Pin No.: XX-Single Row
- ⑥ Plug the Pin & Special No.
- ⑦ Material: N0 -PA66 94V-0
- ⑧ Plating Category:
SN-Bright Tin Plating (70u")
- ⑨ Color : Blank-Natural Color



PCB LAYOUT

Poles	Dimensions (mm)		Poles	Dimensions (mm)		Poles	Dimensions (mm)	
	A	B		A	B		A	B
02	2.50	7.50	07	15.00	20.00	12	27.50	32.50
03	5.00	10.00	08△	17.50	22.50	13	30.00	35.00
04	7.50	12.50	09	20.00	25.00	14	32.50	37.50
05	10.00	15.00	10	22.50	27.50	15	35.00	40.00
06	12.50	17.50	11	25.00	30.00	16	37.50	42.50

2564WR-XX-N0SN	Nylon 66 UL 94V-0	Brass	Tin-Plated	2564H
PART NO	Material	Material(Pin)	Finish(Pin)	Mates With SWB Housing

				GENERAL TOLERANCE		 思索连接器有限公司 Terminal & Connectors SWB CONNECTORS CO., LTD				PART NO. 2564WR-XX-N0SN			
2014/05/20	B	C		Change the 08PIN B Dim	sylvia					TITLE 2.50 mm Crimp Style Connectors			
2013/08/24	A	B		Modify the drawing frame format	Jova	APPROVAL	CHECK	DRAWN	DATA	UNIT	SCALE	NUMBER	REV
DATE	OLD REV	NEW REV	ECN	DESCRIPTION	CHECK	APPROVAL	PROJECT	Jova	2012/09/27	MM	1 : 1	A-068	B