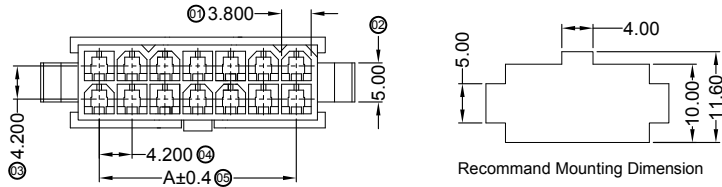
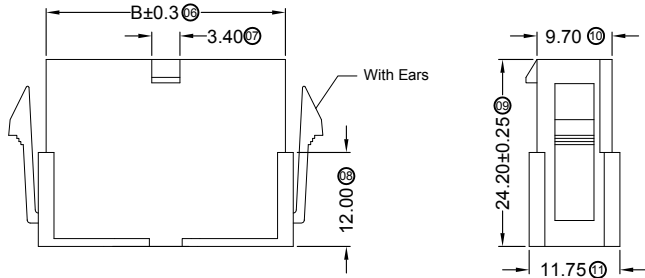


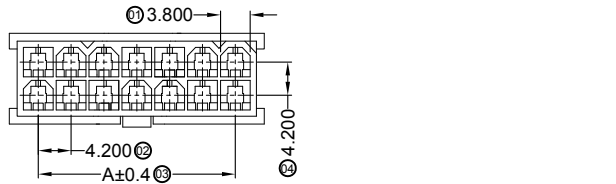
RoHS  Lead-free



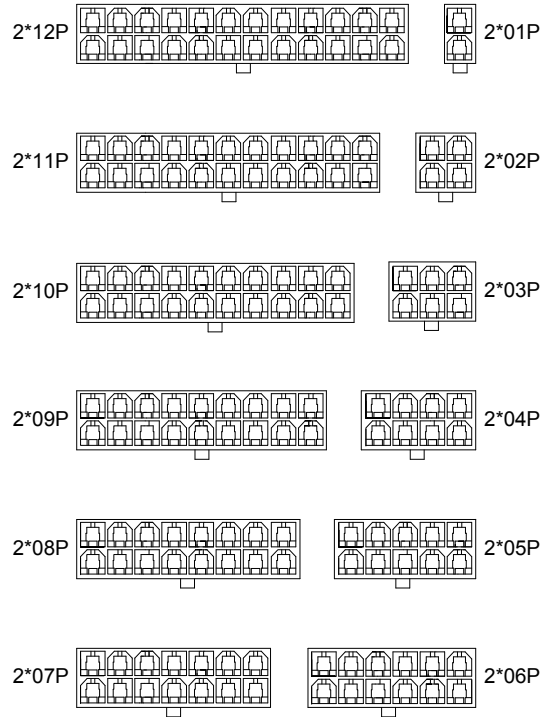
Recommad Mounting Dimension



With Ears



Without Ears



■ Specifications :

- Voltage rating: 600V AC / DC
- Current rating: 9A AC / DC
- Withstanding voltage: 1500V AC/minute
- Temperature range: -25°C~+85°C
- Insulation resistance: ≥1000MΩ
- Contact resistance: ≤10mΩ
- After environmental testing: ≤20mΩ

9357 H F-2*XX X-XX XX
① ②③ ④ ⑤ ⑥ ⑦

- ① Series No.
- ② Category: H-HSG
- ③ Welding Board Angle: F-Female
- ④ Row No.-Pin No.: 2*XX-2*01P~2*12P
- ⑤ Plug the Pin & special No.:
I-Without the Wing; G-With the Wing
- ⑥ Material: N0-PA66 94V-0; N2-PA66 94V-2
- ⑦ Color : Blank-Natural Color

Poles	Dimensions(mm)		Poles	Dimensions(mm)	
	A	B		A	B
2*01	--	5.60	2*07	25.20	30.80
2*02	4.20	9.80	2*08	29.40	35.00
2*03	8.40	14.00	2*09	33.60	39.20
2*04	12.60	18.20	2*10	37.80	43.40
2*05	16.80	22.40	2*11	42.00	47.60
2*06	21.00	26.60	2*12	46.20	51.80

9357HF-2*XXG-N2	Nylon 66 94V-2	9357TM	9357W Or 9357H	With Ears	1,000Pcs
9357HF-2*XXI-N2	Nylon 66 94V-2			Without Ears	
9357HF-2*XXG-N0	Nylon 66 94V-0			With Ears	
9357HF-2*XXI-N0	Nylon 66 94V-0			Without Ears	
PART NO	Material	Suitable SWB Terminal	Mates With SWB Wafer Or Housing	Note	Q'ty/Bag

DATE	OLD REV	NEW REV	ECN	DESCRIPTION	CHECK	APPROVAL	PROJECT	APPROVAL	CHECK	DRAWN	DATA	UNIT	SCALE	NUMBER	REV
2014/08/29	B	C		Modify the drawing frame format		sylvania						MM	1 : 1	A-106	C
2011/09/08	A	B		Modify the drawing frame format						yan.Liu	2007/05/03				

GENERAL TOLERANCE
.X ±0.30
.XX ±0.20
.XXX ±0.10

SWB 思索连接器有限公司
Terminal & Connectors SWB CONNECTORS CO., LTD

PART NO. 9357HF-2*XXX-XX

TITLE 4.20 mm Crimp Style Connectors

PROJECT 

APPROVAL CHECK DRAWN DATA

UNIT MM SCALE 1 : 1 NUMBER A-106 REV C

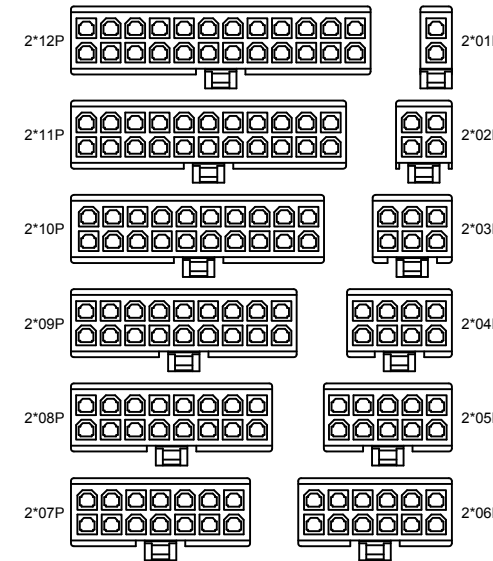
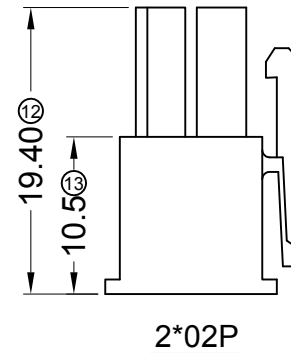
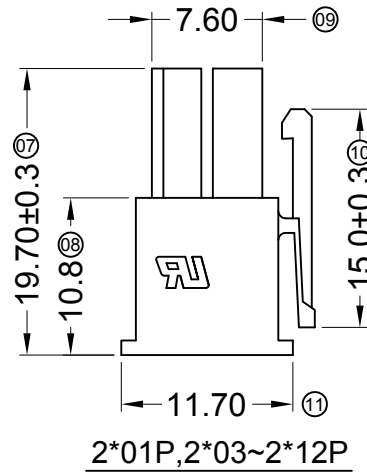
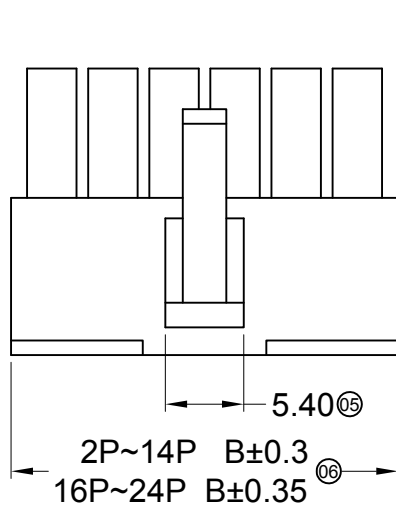
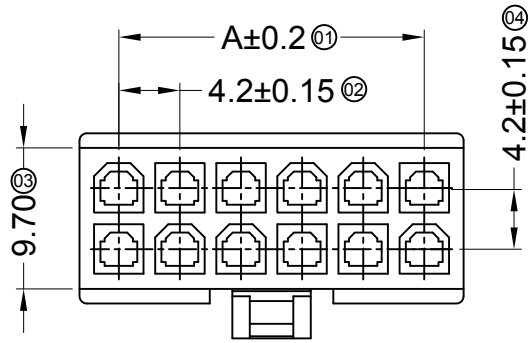
RoHS  Lead-free

Specifications :

- Voltage rating: 600V AC / DC
- Current rating: 9A AC / DC
- Withstanding voltage: 1500V AC/minute
- Temperature range: -25°C~+85°C
- Insulation resistance: ≥1000MΩ
- Contact resistance: ≤10mΩ
- After environmental testing: ≤20mΩ


9357 H M-2*XX XX-XX XX
① ② ③ ④ ⑤ ⑥ ⑦

- ① Series No.
- ② Category: H-HSG
- ③ Welding Board Angle: M-Male HSG
- ④ Row No.-Pin No.: 2*XX-2*01P~2*12P
- ⑤ Plug the Pin & special No.:
- ⑥ Material: N0-PA66 94V-0; N2-PA66 94V-2
- ⑦ Color: Blank-Natural Color ; RE-RED

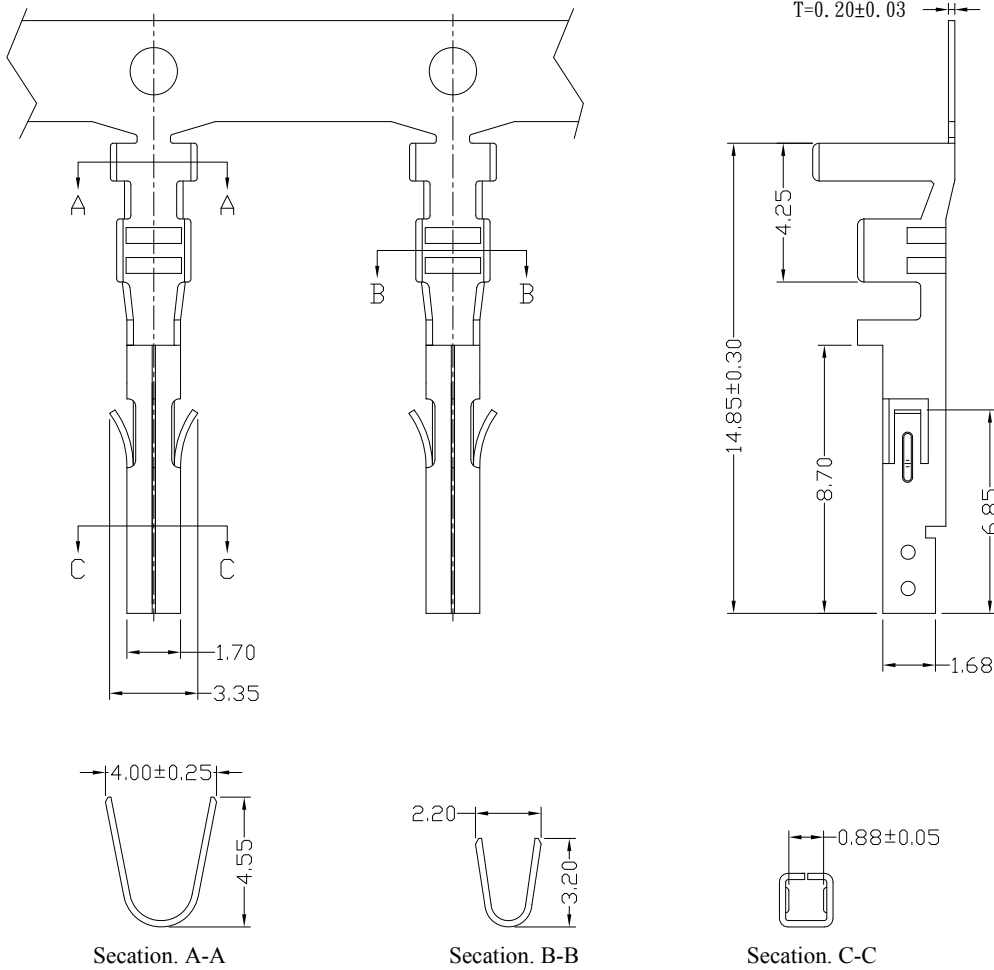


Poles	Dimensions (mm)	
	A	B
02	5.50	9.70
04	4.20	13.90
06	8.40	18.10
08	12.60	22.30
10	16.80	26.50
12	21.00	30.70
14	25.20	34.90
16	29.40	39.10
18	33.60	43.30
20	37.80	47.50
22	42.00	51.70
24	46.20	55.90

9357HM-2*XX-LP	LCP 94V-0	9357TF	9357W Or 9357H	1,000Pcs
9357HM-2*XX-N2	Nylon 66 94V-2			
9357HM-2*XX-N0	Nylon 66 94V-0			
PART NO	Material	Suitable SWB Terminal	Mates With SWB Wafer Or Housing	Q'ty/Bag

DATE	OLD REV	NEW REV	ECN	DESCRIPTION	CHECK	APPROVAL	PROJECT	APPROVAL	CHECK	DRAWN	DATA	UNIT	SCALE	NUMBER	REV	
2014/11/28	C	D		Add the 2*02P DIM	sylvia		GENERAL TOLERANCE	 思索连接器有限公司 Terminal & Connectors SWB CONNECTORS CO., LTD	PART NO. 9357HM-2*XX-XX				MM	1:1	A-043	D
2013/10/14	B	C		add UL Mark	Jova	.X ±0.30	TITLE 4.20 mm Crimp Style Connectors									
2013/08/23	A	B	ECN2013082501	Modify the drawing frame format	Jova	.XX ±0.20	.XXX ±0.10		Jova	2013/07/10						

环保物料



■ Specifications(规格) :

- Voltage rating(额定电压): 600V AC / DC
- Current rating(额定电流): 9A AC / DC
- Withstanding voltage(耐压值): 1500V AC/minute
- Temperature range(工作温度): -25°C~+85°C
- Insulation resistance(绝缘电阻): ≥1000MΩ
- Contact resistance(接触电阻): ≤10mΩ
- After environmental testing(环境测试后): ≤20mΩ

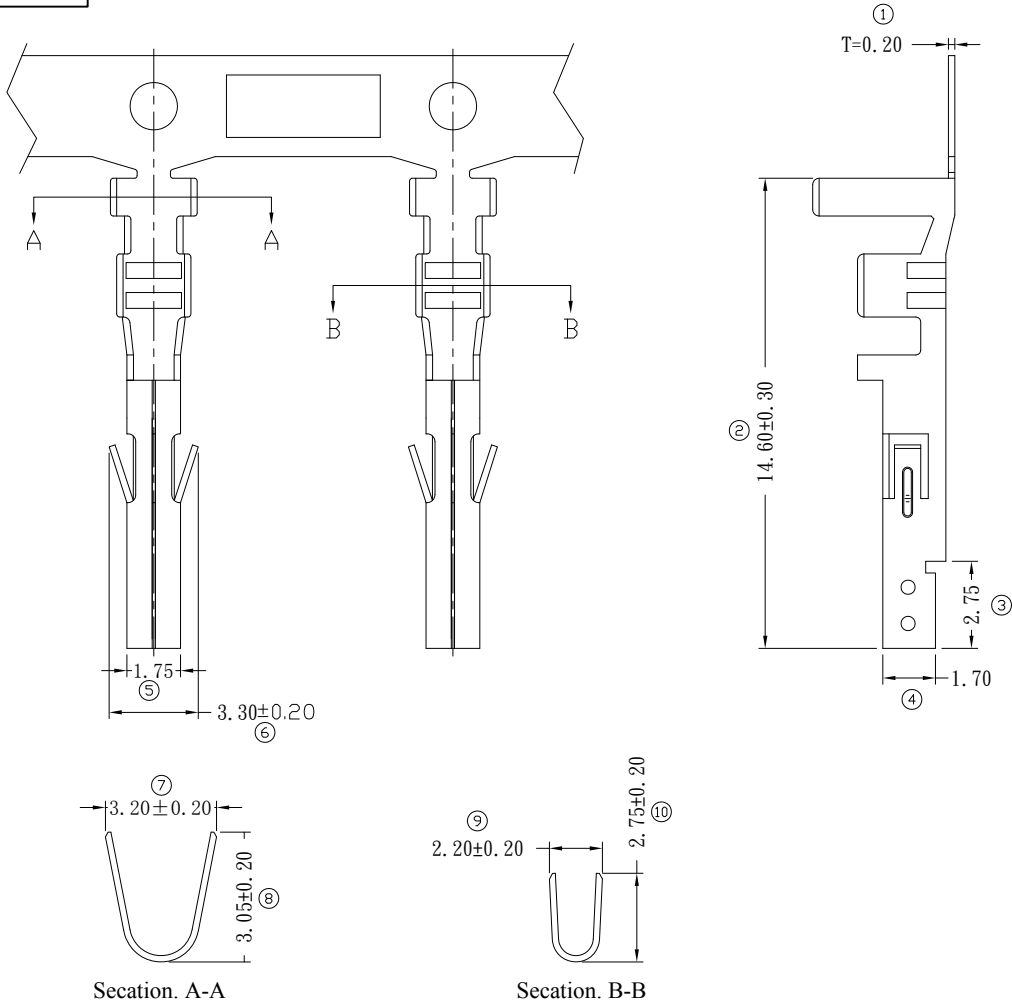
9357 T F-B SN B-H
① ②③④ ⑤ ⑥ ⑦

- ①系列
②类别:
T-端子 M-其它
③外观形态:
空码-普通脚 H-高脚 A-斜脚 I-刺破式
M-公端 F-母端 V-180° R-90°
④材质:
P-磷铜 B-黄铜 F-铁片/不锈钢或其它
⑤电镀类别:G**-镀金 V**-镀全金 S-镀银
GN**-镀半金镍
*01-1U" *02-2U" *03-3U" *05-5U"
*10-10U" *15-15U" *30-30U" *50-50U"
N-镀镍(30-50U") SN-镀亮锡(70-120U")
SN1-镀亮锡(120U"Min.) 1-化学研磨
0-素材 SW-镀雾锡
⑥电镀方式:
空码-先冲后镀 B-先镀后冲
⑦特殊码:
H-高脚

9357TF-BSNB-H	Brass	AWG#18-24	3.10mm(Max)	Plating Before Stamping: 10~30u" Ni;40~60u"Sn	9357HM	10,000Pcs
PART NO	Material	Wire Range	Insulation O.D.	Finish	Used In CSWB Housing	Q' ty/Rel

				<p>一般公差 GENERAL TOLERANCE</p> <p>.X ±0.3 .XX ±0.2 .XXX ±0.1</p>				<p>CSWB 东莞市思索连接器有限公司 TERMINAL CONNECTORS Dongguan Siweb Connectors CO.,LTD</p>				料号 PART NO 9357TF-BSNB-H			
2011/09/08				A B				修改图框格式				品名 TITLE 4.20 mm Crimp Style connectors			
日期 DATE				旧版次 OLD REV				新版次 NEW REV				变更内容 DESCRIPTION			
				审核 CHK				核准 APPD				角法 PROJECT			
								刘艳				2007/05/03			
								单位 UNIT				比例 SCALE			
								MM				1/1			
								图号 NUMBER				版次 REV			
								A-005				B			

环保物料



■ Specifications(规格) :

- Voltage rating(额定电压): 600V AC / DC
- Current rating(额定电流): 9A AC / DC
- Withstanding voltage(耐压值): 1500V AC/minute
- Temperature range(工作温度): -25°C~+85°C
- Insulation resistance(绝缘电阻): ≥1000MΩ
- Contact resistance(接触电阻): ≤10mΩ
- After environmental testing(环境测试后): ≤20mΩ

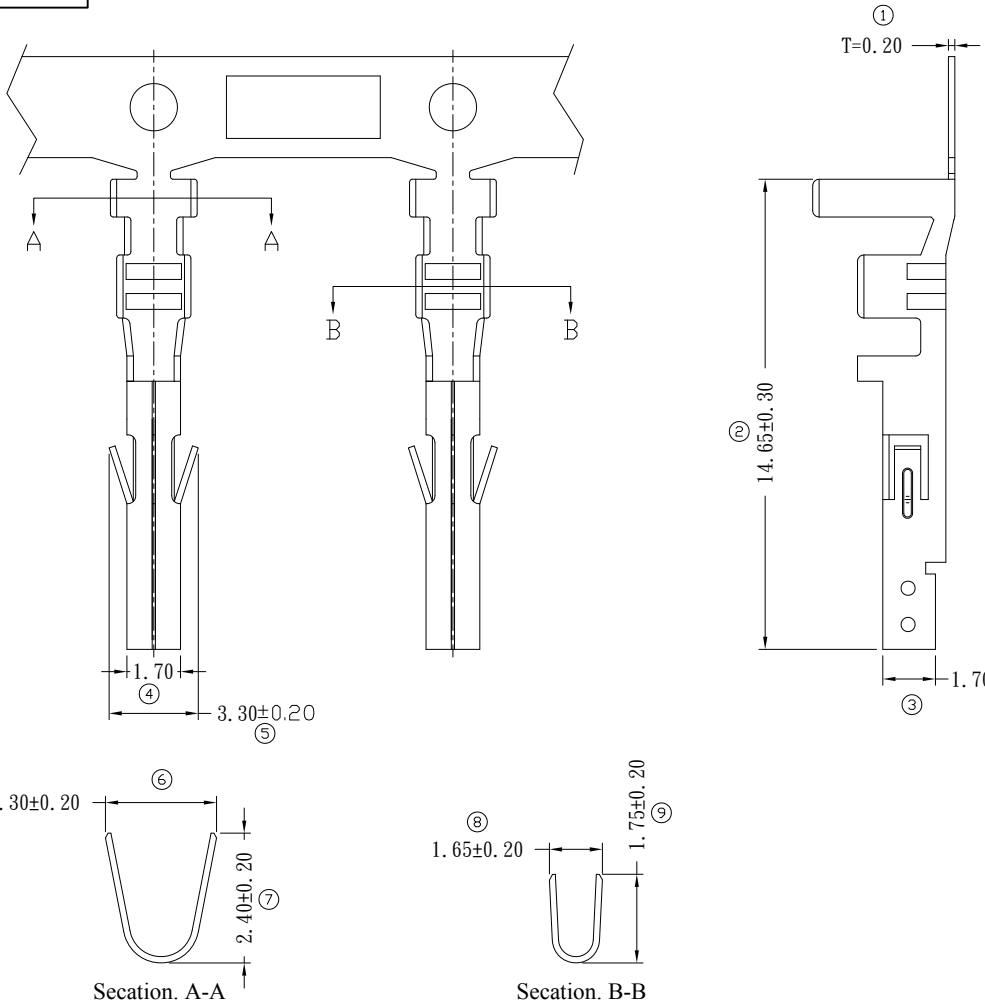
9357 T F-X SN B-L
① ②③ ④ ⑤ ⑥ ⑦

- ①系列
- ②类别:
T-端子
- ③外观形态:
F-母端
- ④材质:
B-黄铜
- ⑤电镀类别:
SN-镀亮锡(70-120U")
- ⑥电镀方式:
空码-先冲后镀 B-先镀后冲
- ⑦特殊码:
L-普通脚

9357TF-PSNB-L	Phosphor Bronze	AWG#18-22	3.10mm(Max)	Plating Before Stamping:10-30u" Ni;40-60u"Sn	9357HM	5,000Pcs
9357TF-BSNB-L	Brass					
PART NO	Material	Wire Range	Insulation O.D.	Finish	Used In CSWB Housing	Q' ty/Rel

				一般公差 GENERAL TOLERANCE .X ±0.3 .XX ±0.2 .XXX ±0.1				料号 PART NO 9357TF-XSNB-L						
				CSWB 东莞市思索连接器有限公司 TERMINAL & CONNECTORS Dongguan Siweb Connectors CO.,LTD				品名 TITLE 4.20 mm Crimp Style connectors						
2011/09/08	A	B	修改图框格式				核准 APPD	审核 CHK	绘图 DR	日期 DATA	单位 UNIT	比例 SCALE	图号 NUMBER	版次 REV
日期 DATE	旧版次 OLD REV	新版次 NEW REV	变更内容 DESCRIPTION	审核 CHK	核准 APPD	角法 PROJECT			刘艳	2007/05/03	MM	1/1	A-005	B

环保物料



■ Specifications(规格) :

- Voltage rating(额定电压): 600V AC / DC
- Current rating(额定电流): 9A AC / DC
- Withstanding voltage(耐压值): 1500V AC/minute
- Temperature range(工作温度): -25°C~+85°C
- Insulation resistance(绝缘电阻): ≥1000MΩ
- Contact resistance(接触电阻): ≤10mΩ
- After environmental testing(环境测试后): ≤20mΩ

9357 T F-X SN B-M

① ②③ ④ ⑤ ⑥ ⑦

- ①系列
- ②类别:
T-端子
- ③外观形态:
F-母端
- ④材质:
B-黄铜
- ⑤电镀类别:
SN-镀亮锡(70-120U")
- ⑥电镀方式:
空码-先冲后镀 B-先镀后冲
- ⑦特殊码:
M-低脚

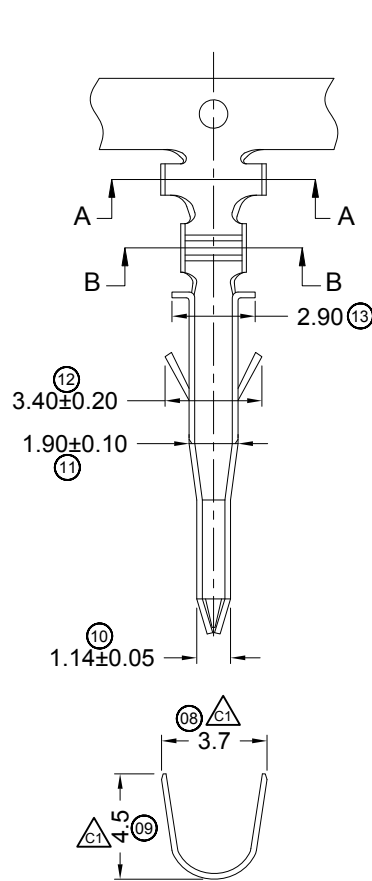
9357TF-PSNB-M	Phosphor Bronze	AWG#26-22	3.10mm(Max)	Plating Before Stamping:10~30u" Ni;40~60u"Sn	9357HM	5,000Pcs
9357TF-BSNB-M	Brass					
PART NO	Material	Wire Range	Insulation O.D.	Finish	Used In CSWB Housing	Q' ty/Reel

							料号 PART NO 9357TF-XSNB-M			
							品名 TITLE 4.20 mm Crimp Style connectors			
2011/09/08	A	B	修改图框格式			核准 APPD		审核 CHK	绘图 DR	日期 DATA
日期 DATE	旧版次 OLD REV	新版次 NEW REV	变更内容 DESCRIPTION			审核 CHK	核准 APPD	刘艳		2007/05/03
							单位 UNIT	比例 SCALE	图号 NUMBER	版次 REV
							MM	1/1	A-005	B

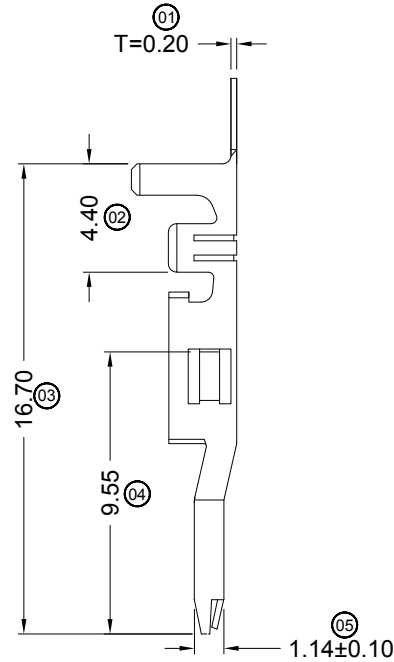
CSWB 东莞市思索连接器有限公司
TERMINAL & CONNECTORS Dongguan Siweb Connectors CO.,LTD

一般公差
GENERAL TOLERANCE
.X ±0.3
.XX ±0.2
.XXX ±0.1

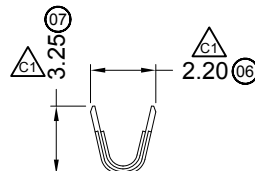
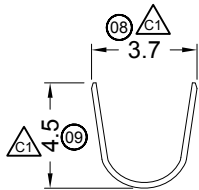
角法 PROJECT
⊕ ⊖



SECTION: A-A
SCALE: 1:1



SECTION: B-B
SCALE: 1:1



■ Specifications :

- Voltage rating: 600V AC / DC
- Current rating: 9A AC / DC
- Withstanding voltage: 1500V AC/minute
- Temperature range: -25°C~+85°C
- Insulation resistance: ≥1000MΩ
- Contact resistance: ≤10mΩ
- After environmental testing: ≤20mΩ

9357 T M-B SN B-H

① ② ③ ④ ⑤ ⑥ ⑦

- ① Series No.
- ② Category: T-Terminal
- ③ Appearance type: M-Male Terminal
- ④ Material: P-Phosphor bronze
B-Brass
- ⑤ Plating Style: G**-Gold Plated Contact
V**- All Gold-Plated
01-Gold Flash 02-2u" 03-3u"
05-5u" 10-10u" 15-15u"
SN-Bright Tin Plating (70-120u")
SN1-Bright Tin Plating (120u" Min).
0-No Plating Material
SW- Fog Tin Plating
- ⑥ Plating Method : Blank-Stamping before Plating
B-Plating before stamping
- ⑦ H-High Crimp

9357TM-BSN-H	Brass	AWG#16*2-18*2	3.10mm(Max)	Stamping Before Plating:30~50u" Ni;70~120u"Sn	9357HF	5,000Pcs
9357TM-BSNB-H				Plating Before Stamping:10~30u" Ni;40~60u"Sn		
PART NO	Material	Wire Range	Insulation O.D.	Finish	Used In SWB Housing	Q'ty/Reel

							GENERAL TOLERANCE .X ±0.30 .XX ±0.20 .XXX ±0.10				SWB 东莞市思索连接器有限公司 Terminal Connectors DongGuan Siweb Connectors CO.,LTD				PART NO. 9357TM-BSNB-H			
2013/11/08	B	C	/	Modify drawing frame format	Jova		APPROVAL CHECK DRAWN DATA				TITLE 4.20 mm Crimp Style Connector							
2013/08/23	A	B	/	Modify drawing frame format	Jova		PROJECT 				UNIT SCALE NUMBER REV MM 1:1 A-006 A							
DATE	OLD REV	NEW REV	ECN	DESCRIPTION	CHECK	APPROVAL												

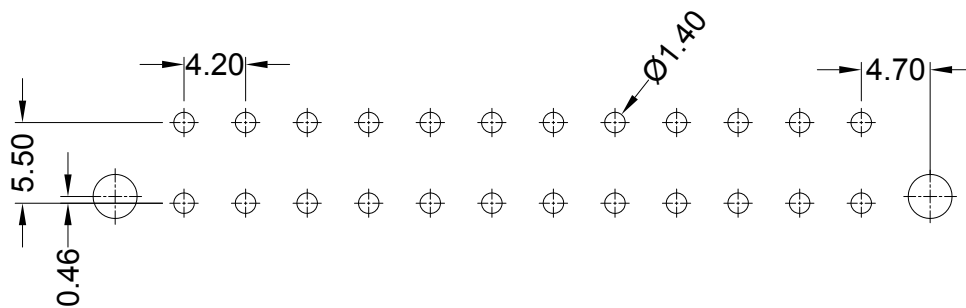
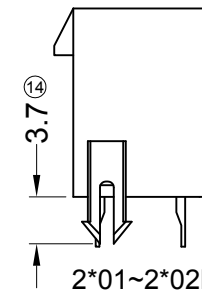
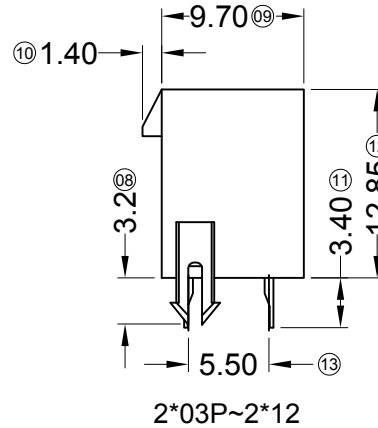
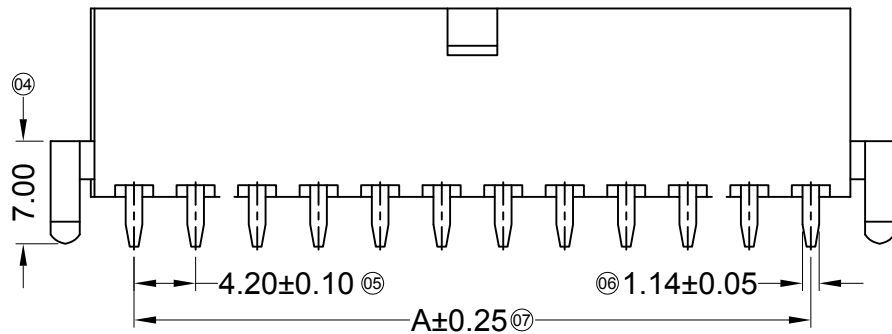
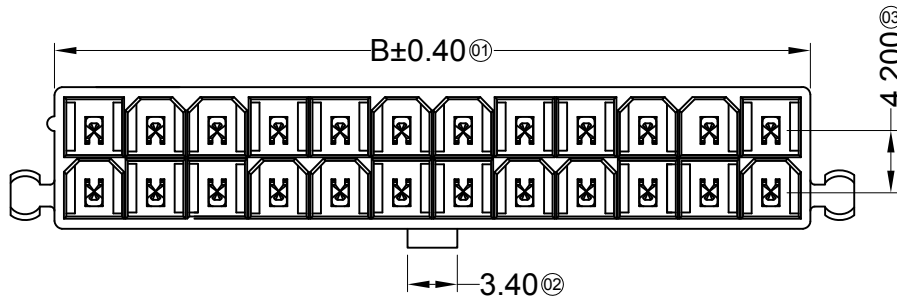
RoHS  Lead-free

9357 W V X-2*XX FS-XX SN XX

- ① Series No.
- ② Category: W-wafer
- ③ Welding Board Angle: V-180°
- ④ Welding Way: Blank-DIP
- ⑤ Row No.-Pin No.: 2*XX-Double
- ⑥ Special NO.: FS-The hollow needle with positioning column
- ⑦ Material: N0-PA66 94V-0 ; N2-PA66 94V-2
- ⑧ Planting Category: SN-Bright tin plating
- ⑨ Color: Blank-natural color

■ Specifications :

- Voltage rating: 600V AC / DC
- Current rating: 9A AC / DC
- Withstanding voltage: 1500V AC/minute
- Temperature range: -25°C~+85°C
- Insulation resistance: ≥1000MΩ
- Contact resistance: ≤10mΩ
- After environmental testing: ≤20mΩ



Poles	Dimensions(mm)		Poles	Dimensions(mm)	
	A	B		A	B
2*01	---	5.60	2*07	25.20	30.80
2*02	4.20	9.80	2*08	29.40	35.00
2*03	8.40	14.00	2*09	33.60	39.20
2*04	12.60	18.20	2*10	37.80	43.40
2*05	16.80	22.40	2*11	42.00	47.60
2*06	21.00	26.60	2*12	46.20	51.80

9357WV-2*XXFS-N2SN	Nylon 66 UL 94V-2	Brass	Tin-Plated	9357H
9357WV-2*XXFS-N0SN	Nylon 66 UL 94V-0			
PART NO	Material	Material(Pin)	Finish(Pin)	Mates With SWB Housing

DATE	OLD REV	NEW REV	ECN	DESCRIPTION	CHECK	APPROVAL	PROJECT
1							
2							
3							
4							

GENERAL TOLERANCE

.X ±0.30

.XX ±0.20

.XXX ±0.10

SWB 思索连接器有限公司
TERMINAL&CONNECTORS SWB CONNECTORS CO.,LTD

APPROVAL	CHECK	DRAWN	DATA
Bob Sun	Jova Lau	Luna	2013/07/31

PART NO. 9357WV-2*XXFS-XXSN

TITLE 4.20mm Crimp Style Connectors

UNIT	SCALE	NUMBER	REV
MM	1:1	A-106	A

RoHS  Lead-free

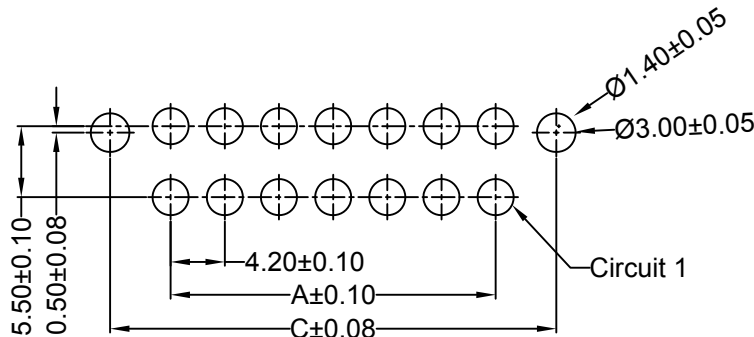
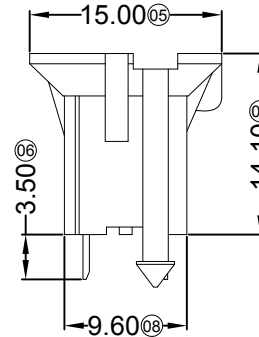
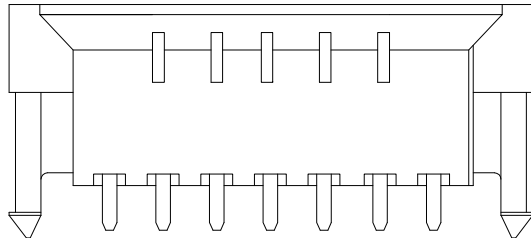
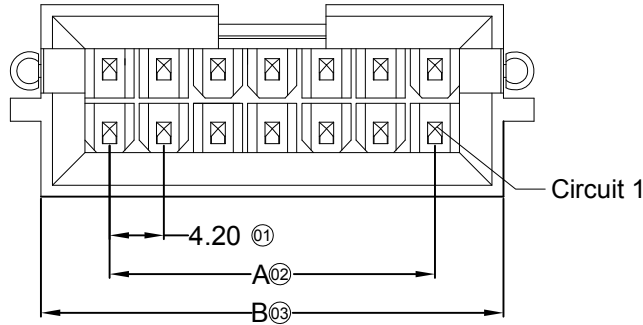
■ Specifications :

- Voltage rating: 600V AC / DC
- Current rating: 9A AC / DC
- Withstanding voltage: 1500V AC/minute
- Temperature range: -25°C~+85°C
- Insulation resistance: ≥1000MΩ
- Contact resistance: ≤10mΩ
- After environmental testing: ≤20mΩ

9357 W V X-2*XX HB-XX SN XX

① ②③④ ⑤ ⑥ ⑦ ⑧ ⑨


- ① Series No.
- ② Category: W-wafer
- ③ Welding Board Angle: V- Straight 180°
- ④ Welding Way: Blank-DIP
- ⑤ Row No.-Pin No.: 2*XX-2*02P~2*12P
- ⑥ Plug the Pin & Special No.:
HB-The hollow needle with positioning column arrange ushering
- ⑦ Material: N0-PA66 94V-0 ; N2-PA66 94V-2
- ⑧ Planting Category: SN-Bright tin plating ;
- ⑨ Color: Blank-natural color



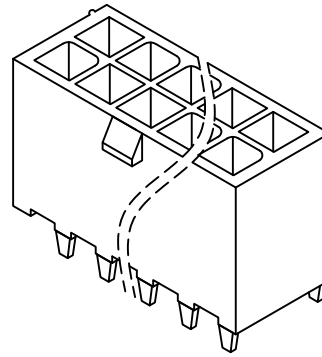
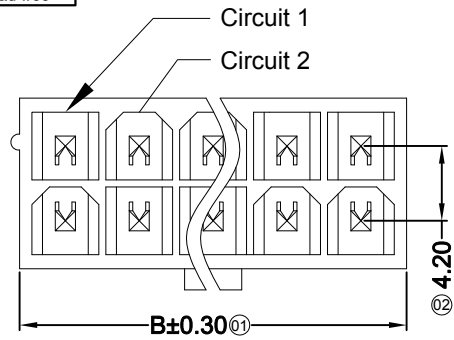
P.C.B LAYOUT

Poles	Dimensions(mm)			Poles	Dimensions(mm)		
	A	B	C		A	B	C
2*02	4.20	15.10	13.60	2*08	29.40	40.30	38.80
2*03	8.40	19.30	17.80	2*09	33.60	44.50	43.00
2*04	12.60	23.50	22.00	2*10	37.80	48.70	47.20
2*05	16.80	27.70	26.20	2*11	42.00	52.90	51.40
2*06	21.00	31.90	30.40	2*12	46.20	57.10	55.60
2*07	25.20	36.10	34.60				

9357WV-2*XXHB-N0SN	Nylon 66 UL 94V-0	Brass	Tin-Plated	9357HM-B	1,000Pcs
9357WV-2*XXHB-N2SN	Nylon 66 UL 94V-2	Brass	Tin-Plated	9357HM-B	1,000Pcs
PART N0	Material	Material(Pin)	Finish(Pin)	Mates With SWB Housing	Q'ty/Bag

							GENERAL TOLERANCE				 思索连接器有限公司 Terminal & Connectors SWB CONNECTORS CO.,LTD				PART NO.				
							.X	±0.30	.XX	±0.20					.XXX	±0.10	9357WV-2*XXHB-XXSN		
							PROJECT				APPROVAL	CHECK	DRAWN	DATA	TITLE				
DATE	OLD REV	NEW REV	ECN	DESCRIPTION	CHECK	APPROVAL	PROJECT								4.20 mm Crimp Style Connectors				
							①	②	③	④				UNIT	SCALE	NUMBER	REV		
2014/07/12	A	B		增加④尺寸	sylvania									MM	1:1	A-106	A		

RoHS  Lead-free

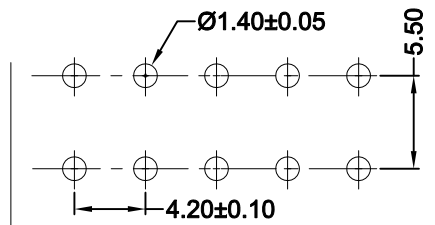
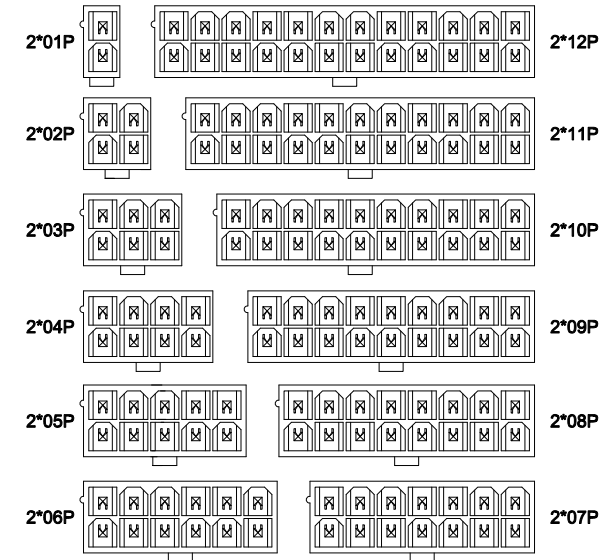
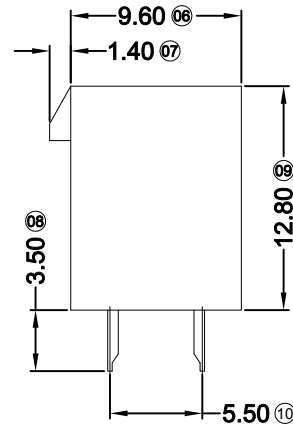
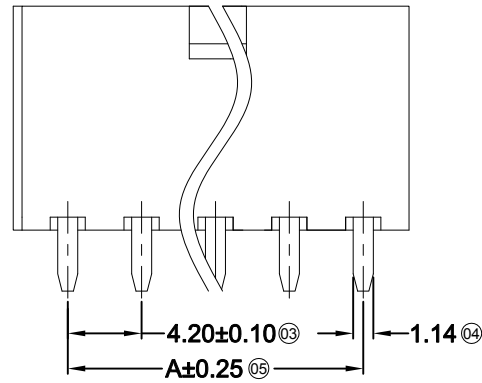


■ Specifications :

- Voltage rating: 600V AC / DC
- Current rating: 9A AC / DC
- Withstanding voltage: 1500V AC/minute
- Temperature range: -25°C~+85°C
- Insulation resistance: ≥1000MΩ
- Contact resistance: ≤10mΩ
- After environmental testing: ≤20mΩ

9357 W V X-2*XX HN-XX SN XX

- ① Series No.
- ② Category: W-wafer
- ③ Welding Board Angle: V-180°
- ④ Welding Way: Blank-DIP
- ⑤ Row No.-Pin No.: 2*XX-Double
- ⑥ Special NO.: HN-The hollow needle
- ⑦ Material: N0-PA66 94V-0 ; N2-PA66 94V-2
- ⑧ Plating Category: SN-Bright tin plating
- ⑨ Color: Blank-natural color ; RD-dark red



P.C.B. RECOMMENDED LAYOUT

Poles	Dimensions(mm)		Poles	Dimensions(mm)	
	A	B		A	B
2*01	---	5.40	2*07	25.20	30.60
2*02	4.20	9.60	2*08	29.40	34.80
2*03	8.40	13.80	2*09	33.60	39.00
2*04	12.60	18.00	2*10	37.80	43.20
2*05	16.80	22.20	2*11	42.00	47.40
2*06	21.00	26.40	2*12	46.20	51.60

9357WV-2*XXHN-N2SNRD	Nylon 66 UL 94V-2 Dark Red	Brass	Tin-Plated	9357H
9357WV-2*XXHN-N2SN	Nylon 66 UL 94V-2			
9357WV-2*XXHN-N0SN	Nylon 66 UL 94V-0			
PART NO	Material	Material(Pin)	Finish(Pin)	Mates With SWB Housing

DATE	OLD REV	NEW REV	ECN	DESCRIPTION	CHECK	APPROVAL	PROJECT	APPROVAL	CHECK	DRAWN	DATA	UNIT	SCALE	NUMBER	REV	
2014/07/07	B	C		Change 2*01P, 2*02PIN illustration	sylvania		GENERAL TOLERANCE					MM	1 : 1	A-106	C	
2014/05/06	A	B		Increase the PIN illustration	sylvania		.X ±0.30									
							.XX ±0.20									
							.XXX ±0.10									



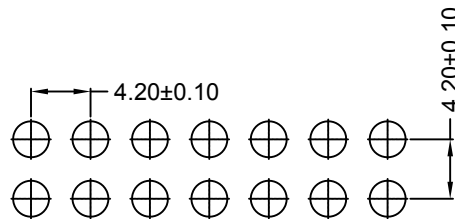
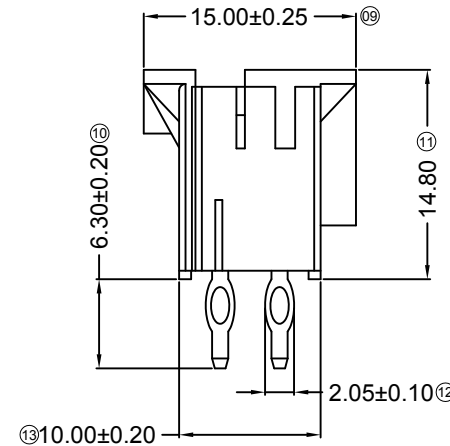
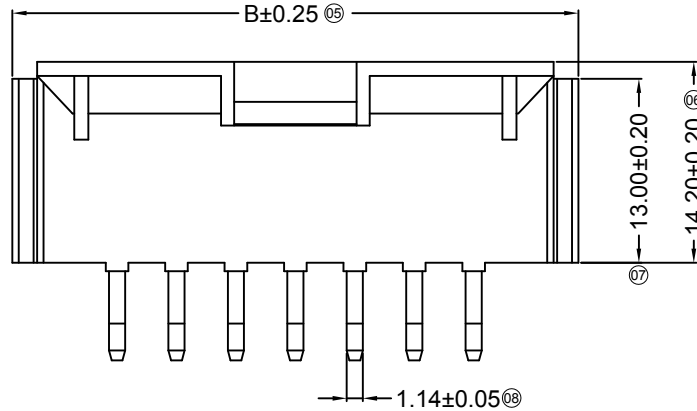
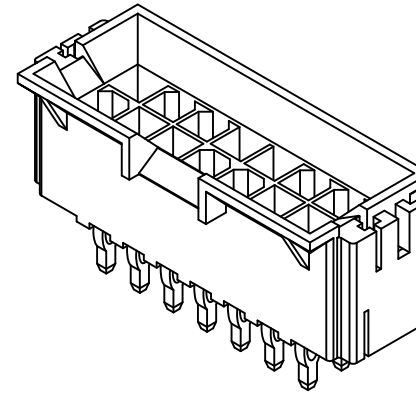
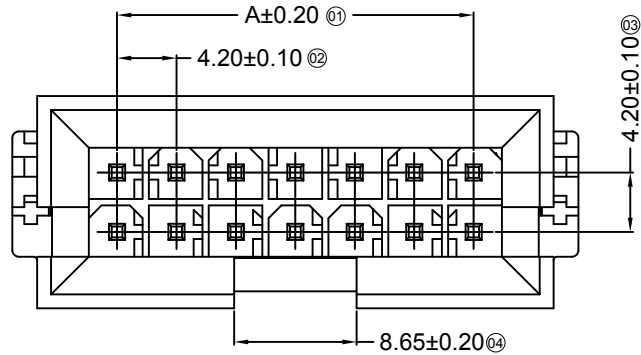
思索连接器有限公司
SWB CONNECTORS CO.,LTD

PART NO. 9357WV-2*XXHN-XXSN

TITLE 4.20mm Crimp Style Connectors

APPROVAL Bob Sun CHECK Jova Lau DRAWN Luna DATA 2013/07/31

RoHS  Lead-free



■ Specifications :

- Voltage rating: 600V AC / DC
- Current rating: 9A AC / DC
- Withstanding voltage: 1500V AC/minute
- Temperature range: -25°C~+85°C
- Insulation resistance: ≥1000MΩ
- Contact resistance: ≤10mΩ
- After environmental testing: ≤20mΩ

9357 W V X-2*XX B-XX SN XX

(1) (2) (3) (4) (5) (6) (7) (8) (9)

- (1) Series No.
- (2) Category: W-wafer
- (3) Welding Board Angle: V-180°
- (4) Welding Way: Blank-DIP ;
- (5) Row No.-Pin No.: 2*XX-Double row
- (6) Special NO.
- B-Arrange ushering with positioning column
- (7) Material: N0-PA66 94V-0 ; N2-PA66 94V-2
- (8) Plating Category:
V:All Gold-Plated ; G:Gold-Plated Contact
S-Silver Plating ; *01-Gold Flash ; *02-2u" ; *03-3u" ;
*05-5u" ; *10-10u" ; *15-15u" ; *30-30u" ; *50-50u"
N-Plating Nickel 30-50u" ; SN-Bright tin plating 70-120u"
SW-Fog Tin plating
- (9) Color: Blank-natural color

Poles	Dimensions (mm)	
	A	B
2x07	25.20	40.00
2x09	33.60	48.40
2x12	46.20	61.00

9357WV-2*XXB-N0SN	Nylon 66 UL 94V-0	Phorphos Bronze	Tin-Plated	9357HM-B
9357WV-2*XXB-N2SN	Nylon 66 UL 94V-2	Phorphos Bronze	Tin-Plated	9357HM-B
PART N0	Material	Material(Pin)	Finish(Pin)	Mates With SWB Housing

DATE	OLD REV	NEW REV	ECN	DESCRIPTION	CHECK	APPROVAL

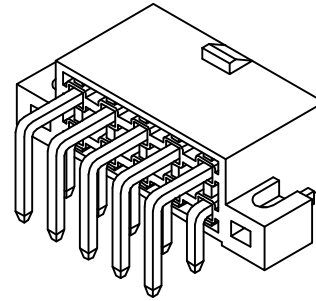
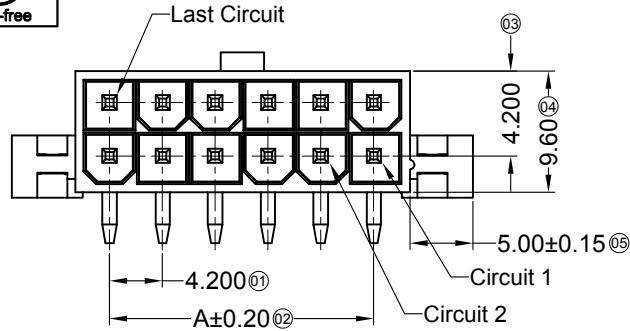
GENERAL TOLERANCE	
.X	±0.30
.XX	±0.20
.XXX	±0.10

SWB 思索连接器有限公司
TERMINAL&CONNECTORS SWB CONNECTORS CO.,LTD

APPROVAL	CHECK	DRAWN	DATA
Bob Sun	Jova Lau	Luna	2013/07/30

PART NO.			
9357WV-2*XXB-XXSN			
TITLE			
4.20mm Crimp Style Connectors			
UNIT	SCALE	NUMBER	REV
MM	1:1	A-106	A

RoHS  Lead-free



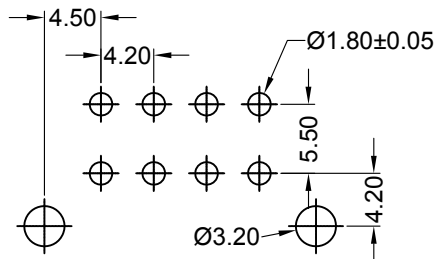
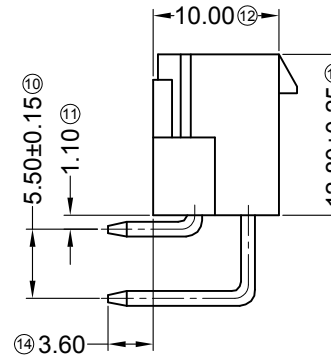
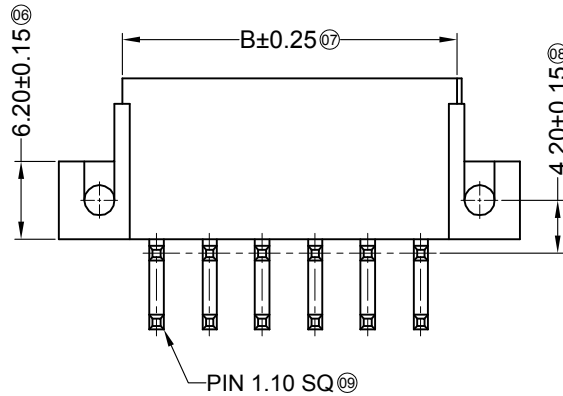
■ Specifications :

- Voltage rating: 600V AC / DC
- Current rating: 9A AC / DC
- Withstanding voltage: 1500V AC/minute
- Temperature range: -25°C~+85°C
- Insulation resistance: ≥1000MΩ
- Contact resistance: ≤10mΩ
- After environmental testing: ≤20mΩ

9357 W R X-2*XX ES-XX SN XX

① ② ③ ④ ⑤ ⑥ ⑦ ⑧ ⑨

- ① Series No.
- ② Category: W-wafer
- ③ Welding Board Angle: R-Right Angle 90°
- ④ Welding Way: Blank-DIP
- ⑤ Row No.-Pin No.: 2*XX-2*01P~2*12P
- ⑥ Plug the Pin & Special No.:
ES-With Ears and Screw Holes
- ⑦ Material: N0-PA66 94V-0 ; N2-PA66 94V-2
- ⑧ Plating Category: SN-Bright tin plating
- ⑨ Color: Blank-Natural Color



Recommended P.C.B Layout
General Tolerance±0.10

Poles	Dimensions(mm)		Poles	Dimensions(mm)	
	A	B		A	B
2*01	---	5.40	2*07	25.20	30.60
2*02	4.20	9.60	2*08	29.40	34.80
2*03	8.40	13.80	2*09	33.60	39.00
2*04	12.60	18.00	2*10	37.80	43.20
2*05	16.80	22.20	2*11	42.00	47.40
2*06	21.00	26.40	2*12	46.20	51.60

9357WR-2*XXES-N0SN	Nylon 66 UL 94V-0	Brass	Tin-Plated	9357H
9357WR-2*XXES-N2SN	Nylon 66 UL 94V-2	Brass	Tin-Plated	
PART N0	Material	Material(Pin)	Finish(Pin)	Mates With SWB Housing

GENERAL TOLERANCE

.X ±0.30
.XX ±0.20
.XXX ±0.10

SWB 思索连接器有限公司
Terminal & Connectors SWB CONNECTORS CO., LTD

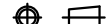
PART NO. 9357WR-2*XXES-XXSN

TITLE 4.20 mm Crimp Style Connectors

APPROVAL CHECK DRAWN DATA

UNIT SCALE NUMBER REV
MM 1:1 A-053 A

PROJECT



svlyia 2014/07/29

DATE OLD REV NEW REV ECN DESCRIPTION CHECK APPROVAL

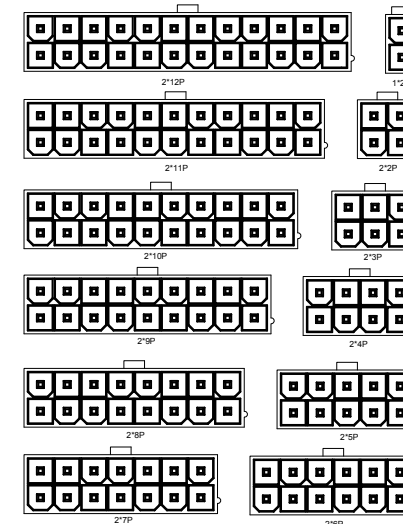
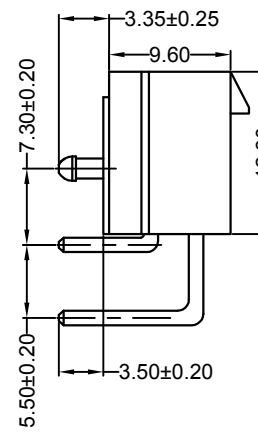
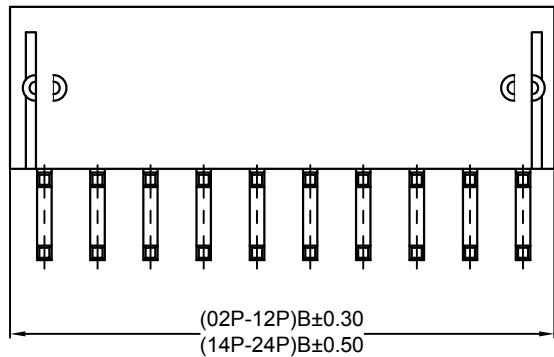
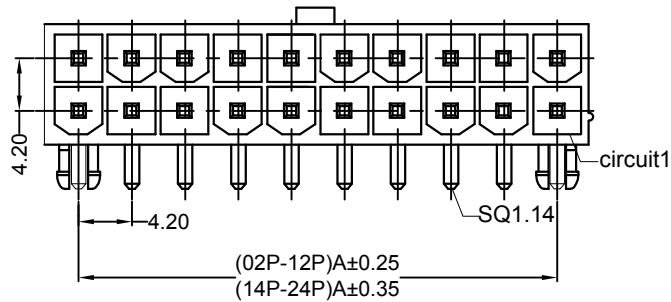
1 2 3 4 5 6 7 8

■ Specifications :

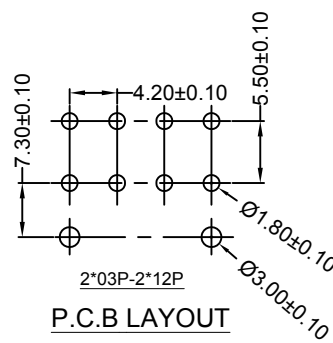
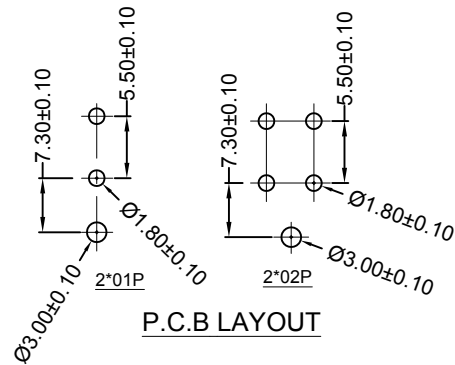
- Voltage rating: 600V AC / DC
- Current rating: 9A AC / DC
- Withstanding voltage: 1500V AC/minute
- Temperature range: -25°C~+85°C
- Insulation resistance: ≥1000MΩ
- Contact resistance: ≤10mΩ
- After environmental testing: ≤20mΩ

9357 W R X-2*XX SX-XX SN XX

- ① Series No.
- ② Category: W-wafer
- ③ Welding Board Angle: R-90°
- ④ Welding Way: Blank-DIP ;
- ⑤ Row No.-Pin No.: 2*XX-Double row
- ⑥ Special NO.
- S-With positioning column F-halogen free
- ⑦ Material: N0-PA66 94V-0 ; N2-PA66 94V-2 ; LP-LCP 94V-0
- ⑧ Planting Category: SN-Bright tin plating 70u"
- ⑨ Color: Blank-natural color
BK-BLACK BL-BLUE RE-RED



Poles	Dimensions (mm)	
	A	B
2	--	5.40
4	4.20	9.60
6	8.40	13.80
8	12.60	18.00
10	16.80	22.20
12	21.00	26.40
14	25.20	30.60
16	29.40	34.80
18	33.60	39.00
20	37.80	43.20
22	42.00	47.40
24	46.20	51.60



9357WR-2*XXS-LPSN	LCP UL 94V-0	Brass	Tin-Plated	9357H
9357WR-2*XXSF-N0SNBK	Nylon 66 UL 94V-0 Halogen Free			
9357WR-2*XXS-N0SNXX	Nylon 66 UL 94V-0			
9357WR-2*XXS-N2SNXX	Nylon 66 UL 94V-2			
PART NO	Material	Material(Pin)	Finish(Pin)	Mates With SWB Housing

2014/09/17	C	D		Add PIN schematic diagram	sylvania		GENERAL TOLERANCE .X ±0.30 .XX ±0.20 .XXX ±0.10
2014/05/19	B	C		Add LP Part No	Jova		
2014/01/09	A	B		Add Blue Color Part No	Jova		
DATE	OLD REV	NEW REV	ECN	DESCRIPTION	CHECK	APPROVAL	PROJECT

思索连接器有限公司 Terminal & Connectors SWB CONNECTORS CO.,LTD				PART NO. 9357WR-2*XXS-XXSN TITLE 4.20mm Crimp Style Connectors			
APPROVAL	CHECK	DRAWN	DATA	UNIT	SCALE	NUMBER	REV
Bob	Jova	Luna	2013/08/01	MM	1:1	A-106	D

RoHS  Lead-free

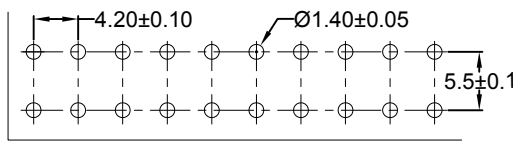
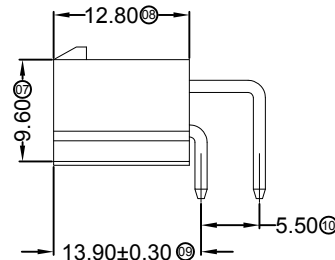
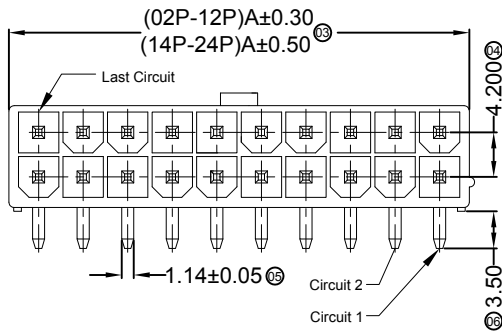
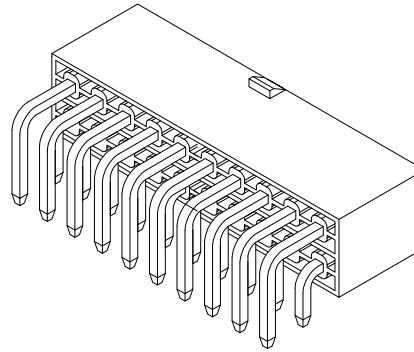
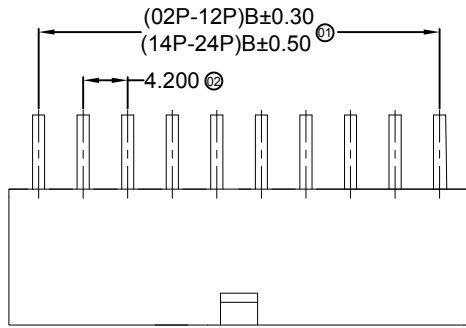
9357 W R X - 2*XX X - XX XX XX

① ② ③ ④ ⑤ ⑥ ⑦ ⑧ ⑨

■ Specifications :

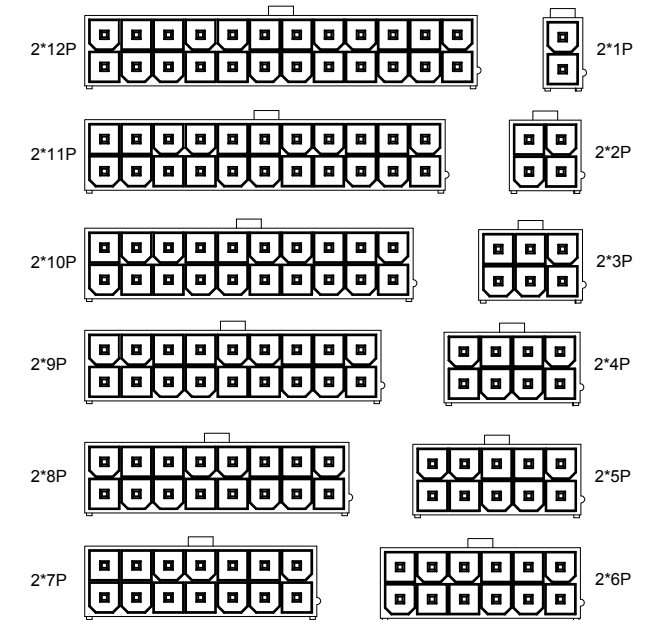
- Voltage rating: 600V AC / DC
- Current rating: 9A AC / DC
- Withstanding voltage: 1500V AC/minute
- Temperature range: -25°C~+85°C
- Insulation resistance: ≥1000MΩ
- Contact resistance: ≤10mΩ
- After environmental testing: ≤20mΩ

- ① Series No.
- ② Category: W-wafer
- ③ Welding Board Angle: R-90°
- ④ Welding Way: Blank-DIP
- ⑤ Row No.-Pin No.: 2*XX-Double
- ⑥ Plug the Pin & Special NO.: F-HF
- ⑦ Material:
N0-PA66 94V-0 ; N2-PA66 94V-2
LP-LCP 94V-0 ; 6T-PA6T 94V-0 ; 9T-PA9T 94V-0
- ⑧ Planting Category:
V:All Gold-Plated *01-Gold Flash ;
SN-Bright tin plating 70u"
- ⑨ Color:
Blank-Natural Color BK-Black



P.C.B. HOLE DIMENSION

Poles	Dimensions(mm)		Poles	Dimensions(mm)	
	A	B		A	B
2*01	5.60	---	2*07	30.80	25.20
2*02	9.80	4.20	2*08	35.00	29.40
2*03	14.00	8.40	2*09	39.20	33.60
2*04	18.20	12.60	2*10	43.40	37.80
2*05	22.40	16.80	2*11	47.60	42.00
2*06	26.60	21.00	2*12	51.80	46.20



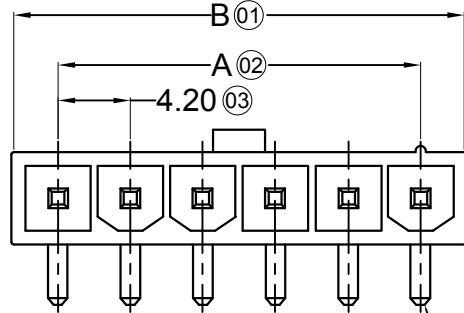
PART NO	Material	Material(Pin)	Finish(Pin)	Mates With SWB Housing	Q'ty/Bag
9357WR-2*XXX-N0V01XX	Nylon 66 UL 94V-0	Brass	Gold-Flash	9357H	1,000Pcs
9357WR-2*XXX-N0SNXX	Nylon 66 UL 94V-0	Brass	Tin-Plated		
9357WR-2*XXX-N2V01XX	Nylon 66 UL 94V-2	Brass	Gold-Flash		
9357WR-2*XXX-N2SNXX	Nylon 66 UL 94V-2	Brass	Tin-Plated		

DATE	OLD REV	NEW REV	ECN	DESCRIPTION	CHECK	APPROVAL	PROJECT	APPROVAL	CHECK	DRAWN	DATA	UNIT	SCALE	NUMBER	REV
2014/09/16	E	F		Add PIN schematic diagram	sylvania		GENERAL TOLERANCE					MM	1:1	A-053	F
2014/05/09	D	E		Add Part NO	sylvania		.X ±0.30								
							.XX ±0.20								
							.XXX ±0.10								
										刘艳	2007/05/03				

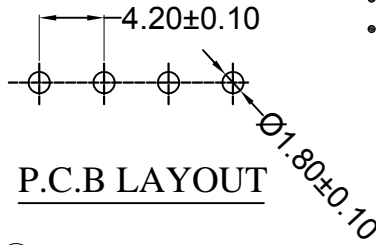
SWB 思索连接器有限公司
Terminal & Connectors SWB CONNECTORS CO., LTD

PART NO. 9357WR-2*XXX-XXXX

TITLE 4.20mm Crimp Style Connectors



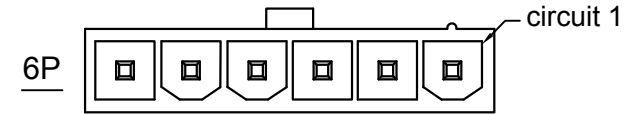
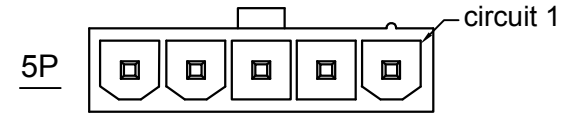
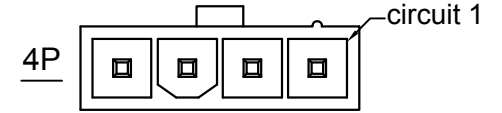
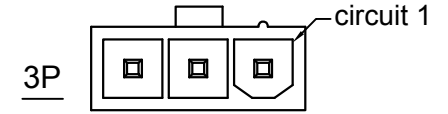
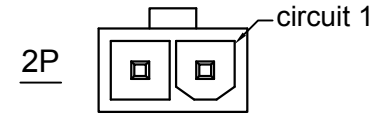
SQ 1.14 (04)



P.C.B LAYOUT

■ Specifications :

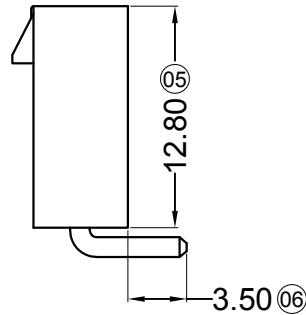
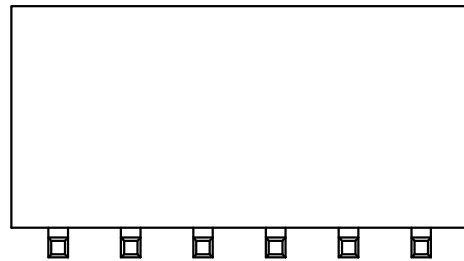
- Voltage rating: 600V AC / DC
- Current rating: 9A AC / DC
- Withstanding voltage: 1500V AC/minute
- Temperature range: -25°C~+85°C
- Insulation resistance: ≥1000MΩ
- Contact resistance: ≤10mΩ
- After environmental testing: ≤20mΩ



9357 W R X- XX F -XX SN XX

① ② ③ ④ ⑤ ⑥ ⑦ ⑧ ⑨

- ① Series No.
- ② Category: W-wafer
- ③ Welding Board Angle: R-90°
- ④ Welding Way: Blank-DIP
- ⑤ Row No.-Pin No.: XX-Single row
- ⑥ Special NO.: F- Halogen Free
- ⑦ Material:
N0-PA66 94V-0 ; N2-PA66 94V-2
6T-PA6T 94V-0 ; 9T-PA9T 94V-0 ; LP-LCP 94V-0
- ⑧ Plating Category:
SN-Bright tin plating 70u"
- ⑨ Color: Blank-natural color



9357WR-XXX-9TSN	Nylon 9T UL 94V-0	Brass	Tin-Plated	9357H	1,000Pcs
9357WR-XXX-6TSN	Nylon 6T UL 94V-0	Brass	Tin-Plated		
9357WR-XXX-LPSN	LCP UL 94V-0	Brass	Tin-Plated		
9357WR-XXX-N0SN	Nylon 66 UL 94V-0	Brass	Tin-Plated		
9357WR-XXX-N2SN	Nylon 66 UL 94V-2	Brass	Tin-Plated		
PART NO	Material	Material(Pin)	Finish(Pin)	Mates With SWB Housing	Qty/Bag

Poles	Dimensions (mm)	
	A	B
2	4.20	9.60
3	8.40	13.80
4	12.60	18.00
5	16.80	22.20
6	21.00	26.40

						<p>GENERAL TOLERANCE</p> <p>.X ±0.30</p> <p>.XX ±0.20</p> <p>.XXX ±0.10</p>				<p>SWB 思索连接器有限公司</p> <p>Terminal & Connectors SWB CONNECTORS CO., LTD</p>				<p>PART NO. 9357WR-XXX-XXSN</p>			
2014/08/08				B		C		Add LP、6T、9T、 Part No				sylvia		TITLE 4.20 mm Crimp Style Connectors			
2014/04/05				A		B		Add HF Part No				Jova		APPROVAL CHECK DRAWN DATA			
DATE	OLD REV	NEW REV	ECN	DESCRIPTION	CHECK	APPROVAL	PROJECT	Luna		2013/07/31		UNIT MM	SCALE 1:1	NUMBER A-106	REV C		