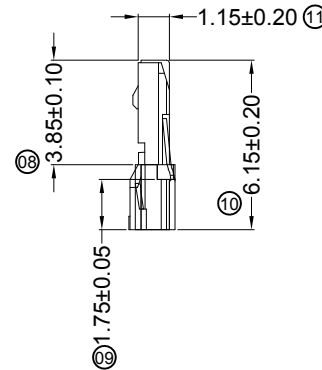
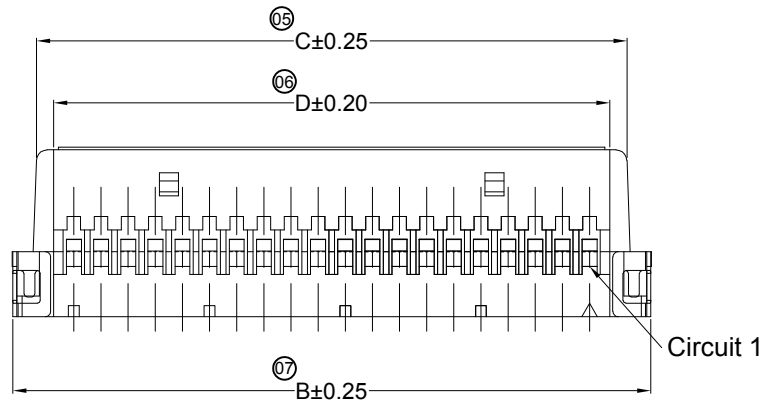
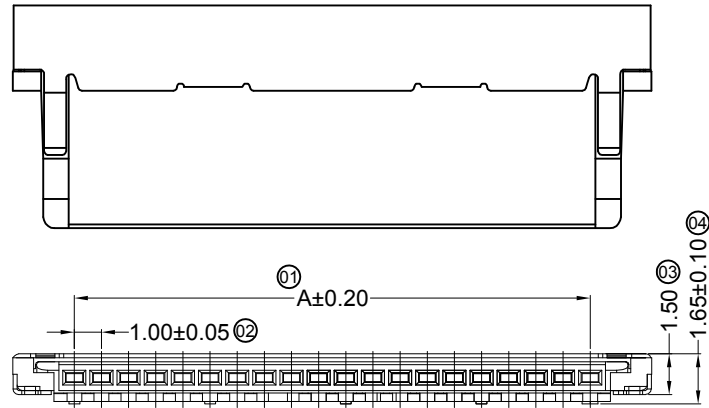
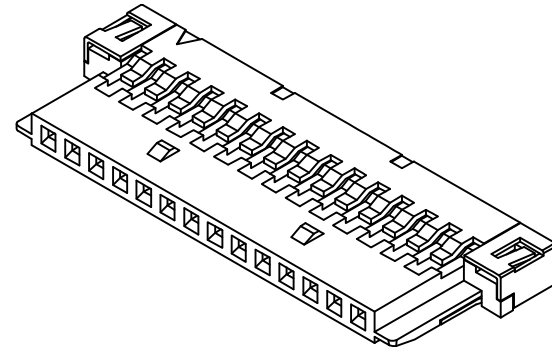


■ Specifications :

- Voltage rating: 100V AC / DC
- Current rating: 1A AC / DC
- Withstanding voltage: 500V AC/minute
- Temperature range: -25°C~+85°C
- Insulation resistance: ≥500MΩ
- Contact resistance: ≤30mΩ
- After environmental testing: ≤40mΩ




1008 H X-XX X-XXXX

① ② ③ ④ ⑤ ⑥ ⑦

- ① Series No.
- ② Category: H-HSG
- ③ Welding Board Angle: Blank-ordinary
- ④ Row No.-Pin No.: XX-Single row
- ⑤ Plug the Pin & special No.
- ⑥ Material: 46-PA46 ; LP-LCP 94V-0
- ⑦ Color: Blank-natural color

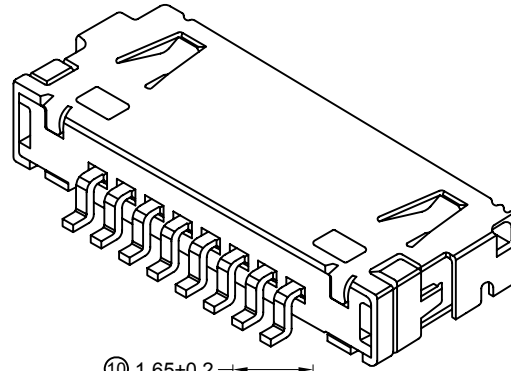
1008H-XX-LP	LCP UL 94V-0	Stainless Steel	1008T	1008W	1,000Pcs
1008H-XX-46	Nylon 46 UL 94V-0				
PART NO	Material	Material(Shell)	Suitable SWB Terminal	Mates SWB Wafer	Q'ty/Bag

Poles	Dimensions (mm)			
	A	B	C	D
8	7.00	11.50	9.85	8.50
20	19.00	23.50	21.85	20.50
30	29.00	33.50	31.85	30.50

				GENERAL TOLERANCE		 <b>思索连接器有限公司</b> Terminal & Connectors SWB CONNECTORS CO.,LTD				PART NO.			
				.X ±0.30						1008H-XX-XX			
				.XX ±0.20		APPROVAL				TITLE			
				.XXX ±0.10		CHECK				1.00 mm Crimp Style Connectors			
				PROJECT		DRAWN				UNIT			
DATE				PROJECT		DATA				SCALE			
OLD REV				PROJECT		Allen				NUMBER			
NEW REV				PROJECT		2013/08/12				REV			
ECN				PROJECT						MM			
DESCRIPTION				PROJECT						1:1			
CHECK				PROJECT						A-045			
APPROVAL				PROJECT						C			



RoHS  Lead-free

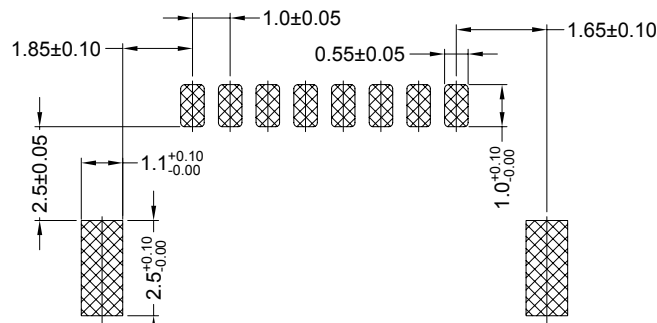
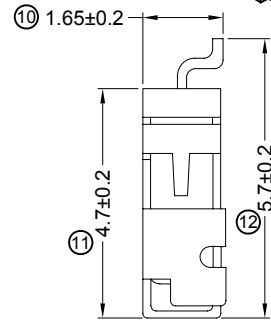
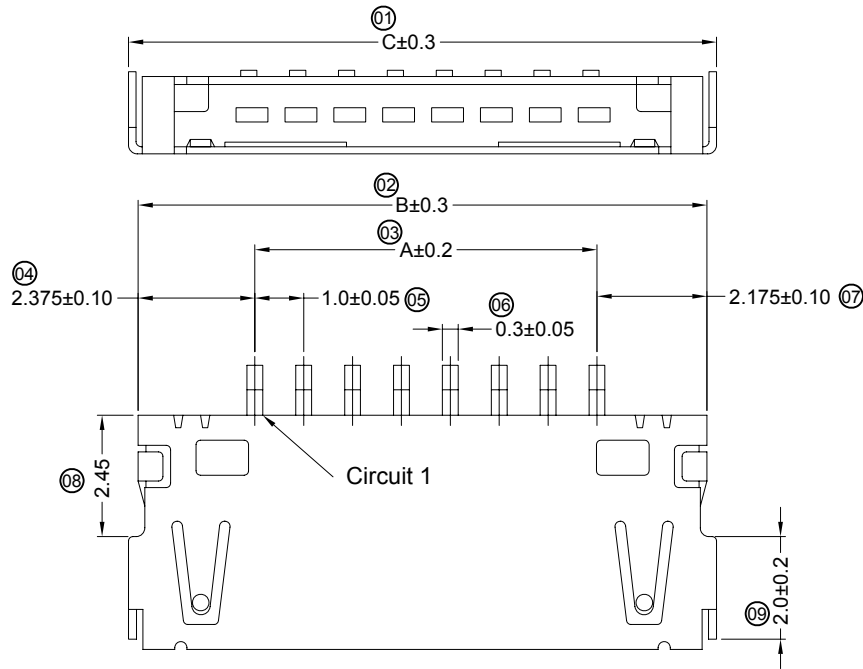


■ Specifications :

- Voltage rating: 100V AC / DC
- Current rating: 1A AC / DC
- Withstanding voltage: 500V AC/minute
- Temperature range: -25°C~+85°C
- Insulation resistance: ≥500MΩ
- Contact resistance: ≤30mΩ
- After environmental testing: ≤40mΩ

1008 W R S-XX X-LP V01 XX  
 ① ② ③ ④ ⑤ ⑥ ⑦ ⑧ ⑨

- ① Series No.
- ② Category: W-wafer
- ③ Welding Board Angle: R- Right Angle 90°
- ④ Welding Way: S-SMT
- ⑤ Row No.-Pin No.: XX-Single Row
- ⑥ Plug the Pin & Special No.:
- ⑦ Material: LP-LCP 94V-0
- ⑧ Planting Category: V01-All Gold Flash
- ⑨ Color: Blank-Natural Color



Recommnd PCB Layout

Poles	Dimensions(mm)		
	A	B	C
08	7.00	11.55	11.95
14	13.00	17.55	17.95
20	19.00	23.55	23.95
30	29.00	33.55	33.95

1008WRS-XX-LPV01	LCP UL 94V-0	Phosphor Bronze	Gold Flash	Stainless steel	Nickel Plating	1008H
PART NO	Material	Material(Pin)	Finish(Pin)	Material(Shell)	Finish(Shell)	Mates With SWB Housing

GENERAL TOLERANCE  
 .X ±0.30  
 .XX ±0.20  
 .XXX ±0.10

**SWB** 思索连接器有限公司  
 Terminal & Connectors SWB CONNECTORS CO., LTD

PART NO. 1008WRS-XX-LPV01

TITLE 1.00 mm Crimp Style connectors

APPROVAL CHECK DRAWN DATA

UNIT SCALE NUMBER REV  
 MM 1:1 A-106 A

DATE OLD REV NEW REV ECN DESCRIPTION CHECK APPROVAL

PROJECT

Allen 2013/08/12