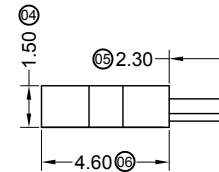
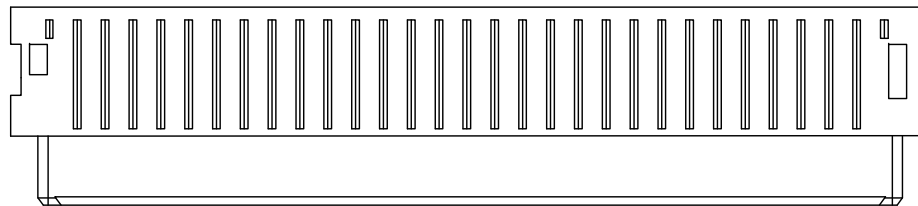
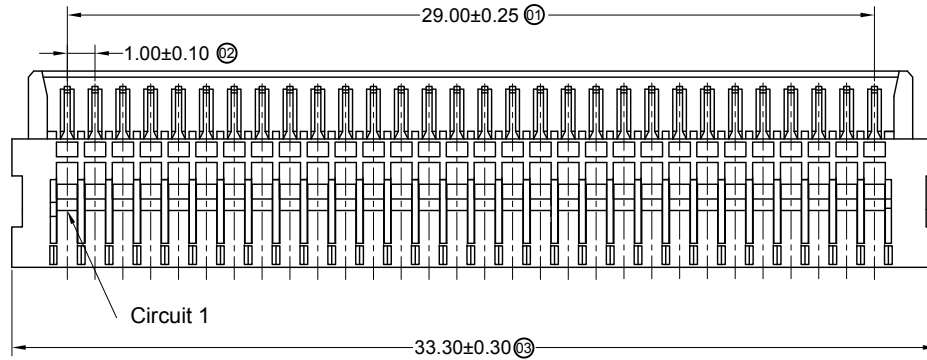


RoHS  Lead-free



■ Specifications :



- Voltage rating: 200V AC / DC
- Current rating: 1A AC / DC
- Withstanding voltage: 500V AC/minute
- Temperature range: -25°C~+85°C
- Insulation resistance: ≥100MΩ
- Contact resistance: ≤40mΩ
- After environmental testing: ≤50mΩ

7906H X-30 X-46 XX

(1) (2) (3) (4) (5) (6) (7)

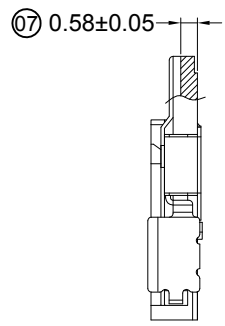
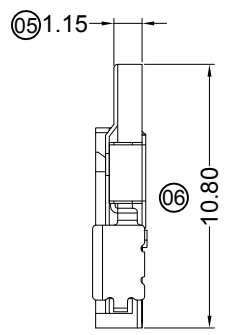
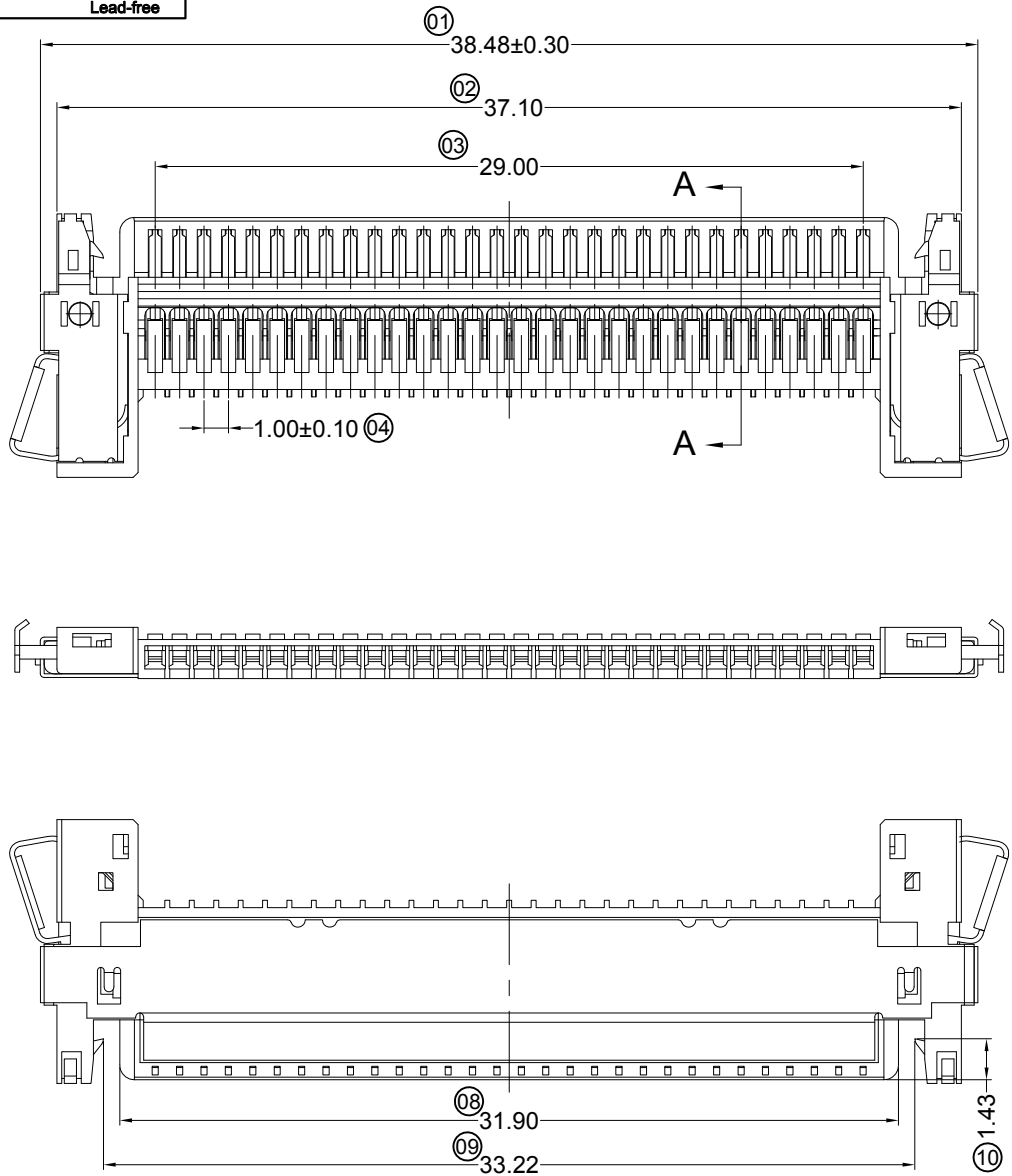
- (1) Series No.
- (2) Category: H-HSG
- (3) Welding Board Angle: Blank-ordinary
- (4) Row No.-Pin No.: XX-Single row
- (5) Plug the Pin & special No.
- (6) Material: 46-PA46 94V-0 94V-2
- (7) Color: Blank-natural color
RD-Dark red

7906H-30-46RD	Nylon 46 UL 94V-0 Dark Red	7906T	7906W
7906H-30-46	Nylon 46 UL 94V-0		
PART NO	Material	Suitable SWB Terminal	Mates SWB Wafer

							GENERAL TOLERANCE		 思索连接器有限公司 Terminal & Connectors SWB CONNECTORS CO.,LTD				PART NO. 7906H-30-46			
							.X ±0.30 .XX ±0.20 .XXX ±0.10						TITLE 1.00 mm Crimp Style Connectors			
DATE	OLD REV	NEW REV	ECN	DESCRIPTION	CHECK	APPROVAL	PROJECT	APPROVAL	CHECK	DRAWN	DATA	UNIT	SCALE	NUMBER	REV	
										Allen	2013/08/31	MM	1:1	A-106	A	

RoHS  Lead-free

F
E
D
C
B
A



■ Specifications :

- Voltage rating: 200V AC / DC
- Current rating: 1A AC / DC
- Withstanding voltage: 500V AC/minute
- Temperature range: -25°C~+85°C
- Insulation resistance: ≥100MΩ
- Contact resistance: ≤40mΩ
- After environmental testing: ≤50mΩ

7906 H I-30 X-46 XX

01 02 03 04 05 06 07

- 01 Series No.
- 02 Category:
H-HSG
- 03 Welding Board Angle:
I-HSG+hardware
- 04 Row No.-Pin No.:
XX-Single row
- 05 Plug the Pin & special No.
- 06 Material:
46-PA46 94V-0 94V-2
- 07 Color:
Blank-natural color

7906HI-30-46	Nylon 46 UL 94V-0	Stainless Steel	7906T	1,000Pcs
PART NO	Material	Material(Shell And Shrapnel)	Suitable SWB Terminal	Q'ty/Bag

DATE	OLD REV	NEW REV	ECN	DESCRIPTION	CHECK	APPROVAL	PROJECT	

GENERAL TOLERANCE
.X ±0.30
.XX ±0.20
.XXX ±0.10

SWB 思索连接器有限公司
Terminal & Connectors SWB CONNECTORS CO., LTD

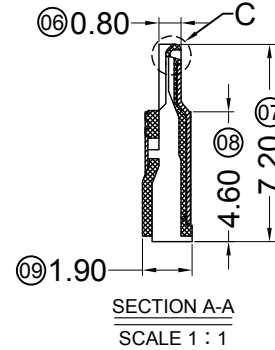
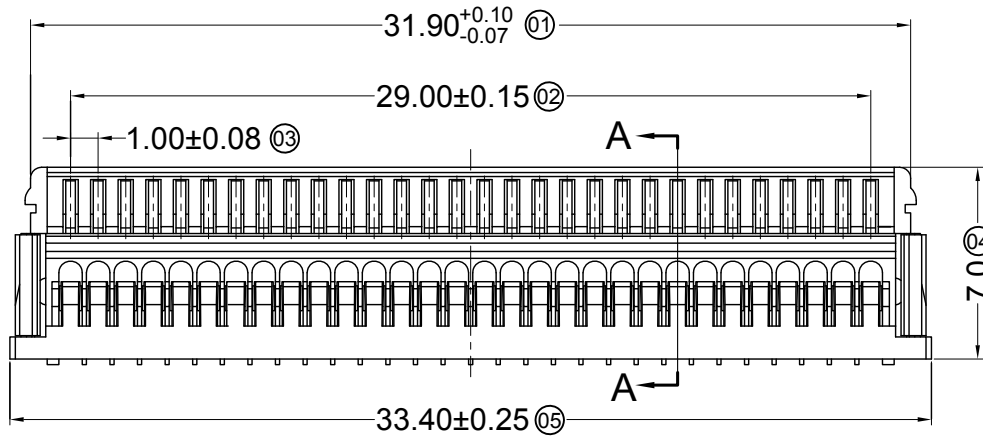
APPROVAL	CHECK	DRAWN	DATA
		Allen	2013/08/31

PART NO. 7906HI-30-46			
TITLE 1.00mm Crimp Style Connectors			
UNIT MM	SCALE 1 : 1	NUMBER A-045	REV A

F
E
D
C
B
A

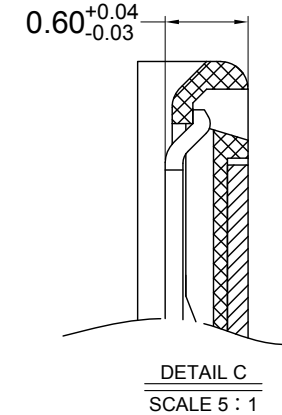
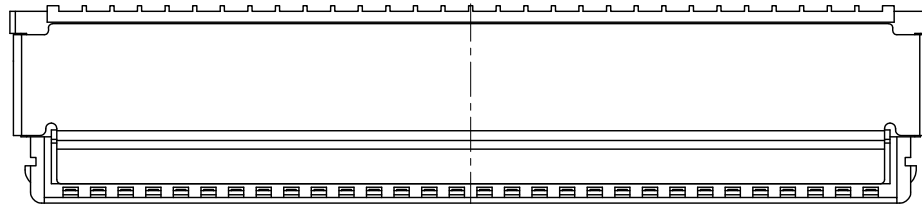
1 2 3 4 5 6 7 8

RoHS  Lead-free



■ Specifications :



- Voltage rating: 200V AC / DC
- Current rating: 1A AC / DC
- Withstanding voltage: 500V AC/minute
- Temperature range: -25°C~+85°C
- Insulation resistance: ≥100MΩ
- Contact resistance: ≤40mΩ
- After environmental testing: ≤50mΩ



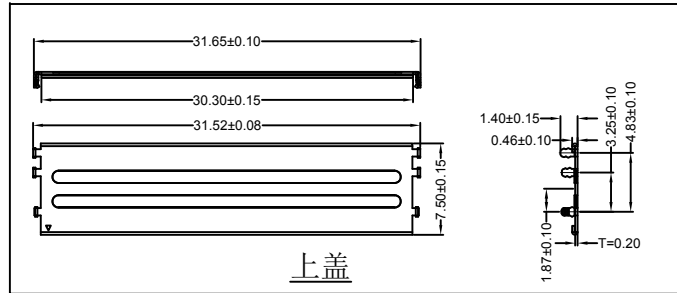
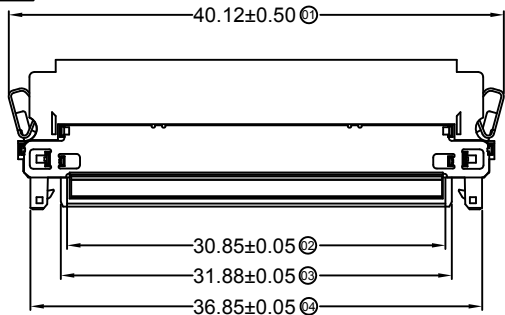
7906 HI - 30 F - XX XX

- ① Series No.
- ② Category: H-HSG
- ③ Welding Board Angle: I-HSG+hardware
- ④ Row No.-Pin No.: XX-Single row
- ⑤ Plug the Pin & special No.: F-Shell package
- ⑥ Material: 46-PA46 94V-0 94V-2
- ⑦ Color: Blank-natural color HF-Halogen free

7906HI-30F-NOHF	Nylon 66 UL 94V-0 Halogen Free	Material(Stainless Steel)	7906T	7906W
7906HI-30F-46	Nylon 46 UL 94V-0			
PART NO	Material	Material(Shell)	Suitable SWB Terminal	Suitable SWB Wafer

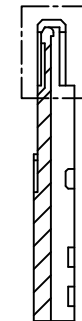
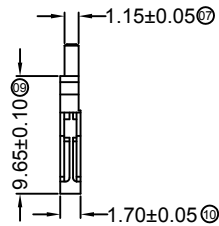
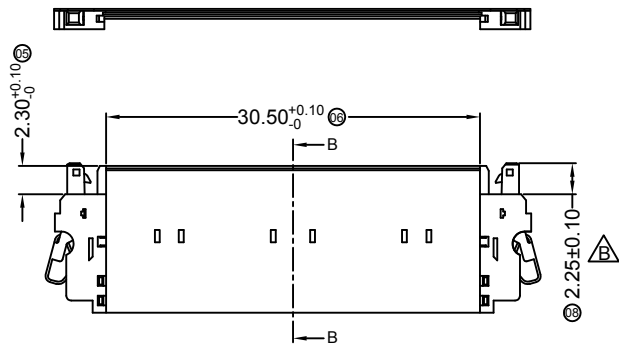
							GENERAL TOLERANCE .X ±0.30 .XX ±0.20 .XXX ±0.10				SWB 思索连接器有限公司 Terminal & Connectors SWB CONNECTORS CO.,LTD				PART NO. 7906HI-30F-XX			
							APPROVAL CHECK DRAWN DATA				TITLE 1.00 mm Bag Style Connectors							
2014/02/18	A	B	Modify the drawing frame format		sylvia	PROJECT		yan.Liu		2007/05/03		UNIT	SCALE	NUMBER	REV			
DATE	OLD REV	NEW REV	ECN	DESCRIPTION	CHECK	APPROVAL						MM	1 : 1	A-045	B			

RoHS  Lead-free



■ Specifications :

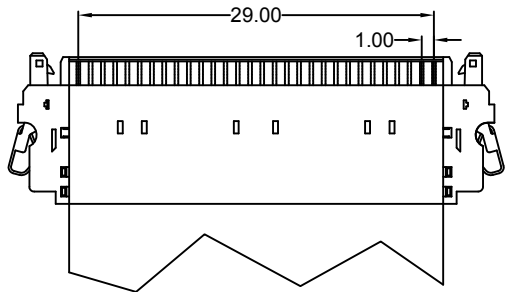
- Voltage rating: 200V AC / DC
- Current rating: 1A AC / DC
- Withstanding voltage: 500V AC/minute
- Temperature range: -25°C~+85°C
- Insulation resistance: ≥100MΩ
- Contact resistance: ≤40mΩ
- After environmental testing: ≤50mΩ



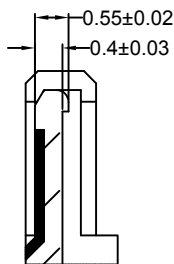
SECTION B-B
SCALE 2:1

7906 H I - 30 FCX -LP XX- HF
 (11) (12) (13) (14) (15) (16) (17) (18)

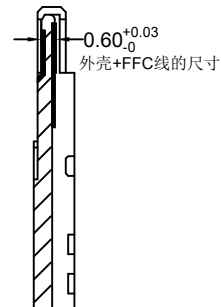
- (11) Series No.
- (12) Category: H-HSG
- (13) Welding Board Angle: I-HSG+hardware
- (14) Row No.-Pin No.: XX-Single row
- (15) Plug the Pin & special No.: FCA-FFC
- (16) Material: LP-LCP 94V-0
- (17) Color: Blank-Natural color
- (18) HF-Halogen free



FFC ASSEMBLY
(REFERENCE)
SCALE 2:1

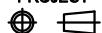


DETAIL C
SCALE 5:1

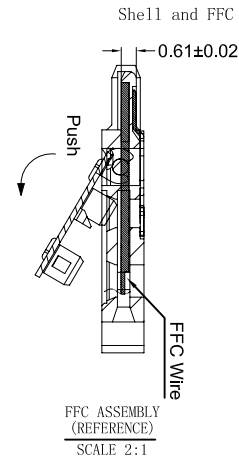
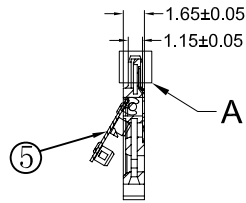
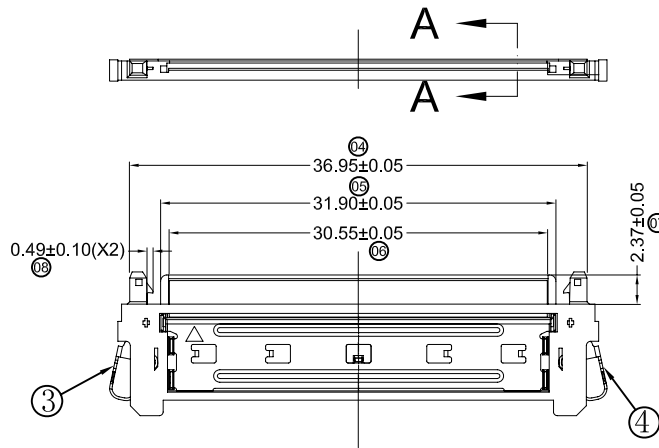
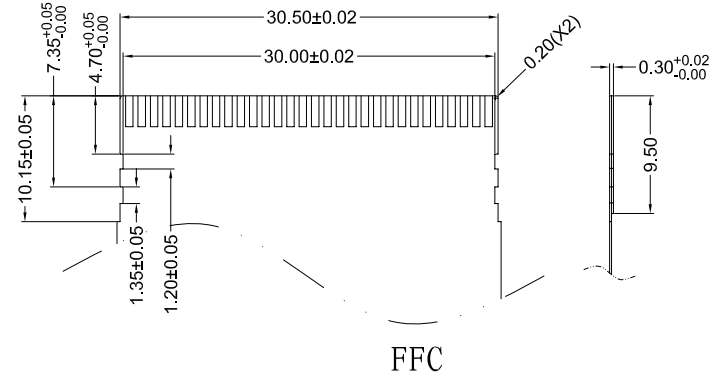
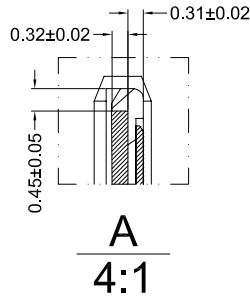
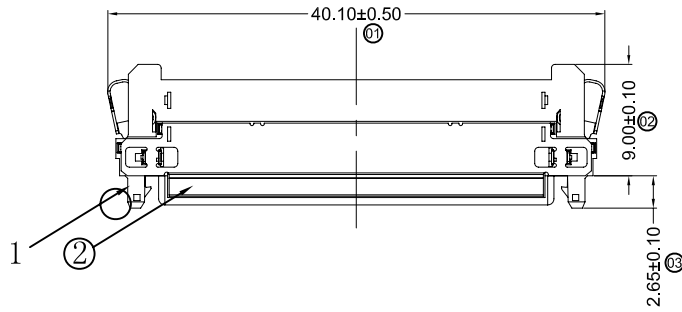


FFC ASSEMBLY
(REFERENCE)
SCALE 2:1

7906HI-30FCA-LP	LCP UL 94V-0	Stainless Steel
7906HI-30FCA-LPHF	LCP UL 94V-0 Halogen Free	
PART NO	Material	Material(Shell And Shrapnel)

							GENERAL TOLERANCE .X ±0.30 .XX ±0.20 .XXX ±0.10				SWB 思索连接器有限公司 Terminal & Connectors SWB CONNECTORS CO.,LTD				PART NO. 7906HI-30FCA-LPHF			
							APPROVAL CHECK DRAWN DATA				TITLE 1.00mm FFC Style Connectors							
2014/07/04	A	B	Change the size (19)			sylvia	sylvia				2014.04.11							
DATE	OLD REV	NEW REV	ECN	DESCRIPTION	CHECK	APPROVAL	PROJECT	UNIT	SCALE	NUMBER	REV							
								MM	1:1	A-055	B							

RoHS  Lead-free



Specifications :

- Voltage rating: 200V AC / DC
- Current rating: 1A AC / DC
- Withstanding voltage: 500V AC/minute
- Temperature range: -25°C~+85°C
- Insulation resistance: ≥100MΩ
- Contact resistance: ≤40mΩ
- After environmental testing: ≤50mΩ

7906 H I - 30 FCP -LP XX- HF
 ① ② ③ ④ ⑤ ⑥ ⑦ ⑧

- ① Series No.
- ② Category: H-HSG
- ③ Welding Board Angle: I-HSG+hardware
- ④ Row No.-Pin No.: XX-Single row
- ⑤ Plug the Pin & special No. FCP-FFC integrated, Pricking iron shell type
- ⑥ Material: LP-LCP
- ⑦ Color: Blank-Natural color HF-Halogen free

7906HI-30FCP-LPHF	LCP UL 94V-0 Halogen Free	Stainless Steel	1,000Pcs
PART NO	Material	Material(Shell And Shrapnel)	Q'ty/Bag

GENERAL TOLERANCE

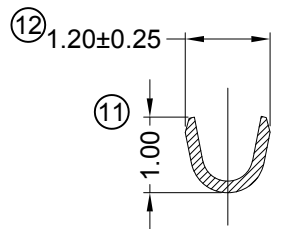
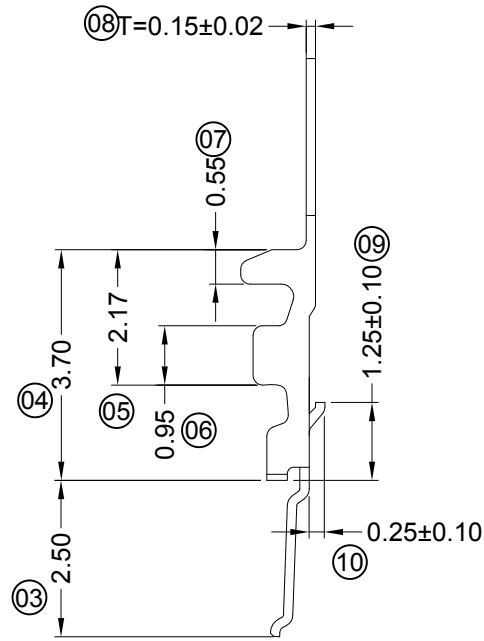
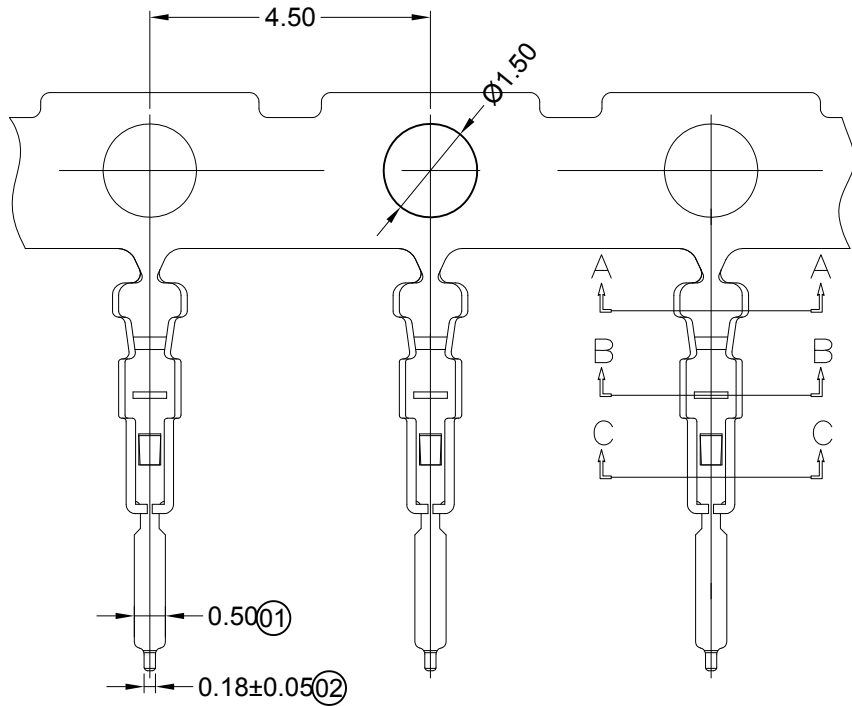
.X	±0.30
.XX	±0.20
.XXX	±0.10

SWB 东莞市思索连接器有限公司
 Terminal Connectors DongGuan Siweb Connectors CO.,LTD

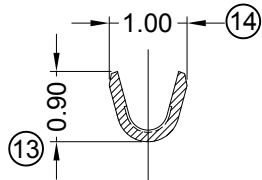
PART NO. 7906HI-30FCP-LPHF
 TITLE 1.00mm Crimp Style Connectors

DATE	OLD REV	NEW REV	ECN	DESCRIPTION	CHECK	APPROVAL	PROJECT	APPROVAL	CHECK	DRAWN	DATA
							SL				2013/11/05

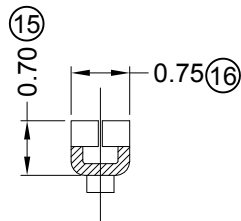
UNIT	SCALE	NUMBER	REV
MM	1:1	A-106	A



SECTION A-A
SCALE 1 : 1



SECTION B-B
SCALE 1 : 1



SECTION C-C
SCALE 1 : 1

■ Specifications :

- Voltage rating: 200V AC / DC
- Current rating: 1A AC / DC
- Withstanding voltage: 500V AC/minute
- Temperature range: -25°C~+85°C
- Insulation resistance: ≥100MΩ
- Contact resistance: ≤40mΩ
- After environmental testing: ≤50mΩ

7906 T X - P V01 X-X
① ② ③ ④ ⑤ ⑥ ⑦

- ① Series Number
- ② Category:
T-terminal
- ③ Shape:
Blank-ordinary
- Material:
- ④ P-Phosphor bronze
- Plating style:
- ⑤ V**-All Gold-Plated
G**-Gold-Plated Contact
*01-Gold Flash ; *02-2u" ; *03-3u" ; *05-5u"
*10-10u" ; *15-15u" ; *30-30u" ; *50-50u"
N-Plating Nickel 30-50u"
SN-Bright tin plating 70-120u"
SN1-Bright tin plating 120u"Min.
SW-Fog Tin plating
0-No plating material
- ⑥ Plating method:
Blank-Stamping before plating
- ⑦ Mold No./Mark/Special No.

7906T-PV10	Phosphor Bronze	AWG#28-32	0.80mm(Max)	Stamping Before Pating:30-50u" Ni;Whole gold :10u" Min.	7906H, 7907H	15,000Pcs
7906T-PV03				Stamping Before Pating:30-50u" Ni;Whole gold :3u" Min.		
7906T-PG01				Stamping Before Pating:30-50u" Ni;half gold :Gold Flash		
7906T-PV01				Stamping Before Pating:30-50u" Ni;Whole gold :Gold Flash		
PART NO	Material	Wire Range	Insulation O.D.	Finish	Used In SWB Housing	Q' ty/Reel

GENERAL TOLERANCE

.X ±0.30
.XX ±0.20
.XXX ±0.10

SWB 思索连接器有限公司
Terminal & Connectors SWB CONNECTORS CO.,LTD

PART NO.

7906T-PXXX

TITLE

1.00mm Crimp Style Connectors

APPROVAL CHECK DRAWN DATA

Allen 2013/08/31

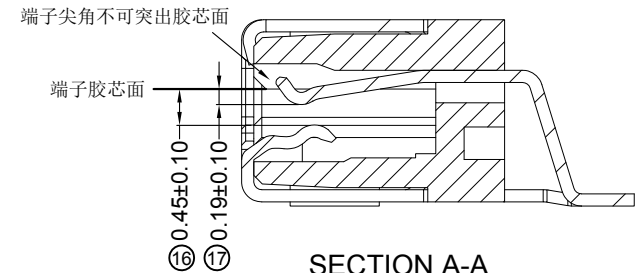
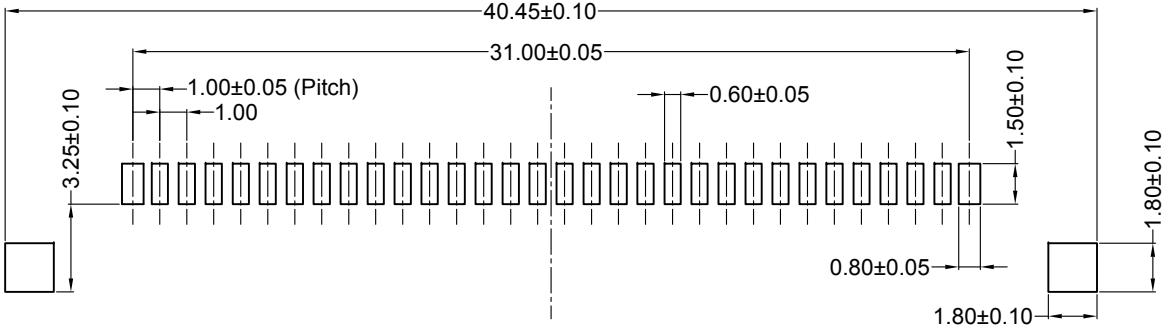
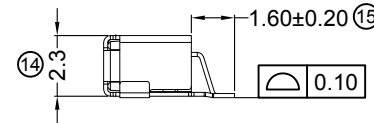
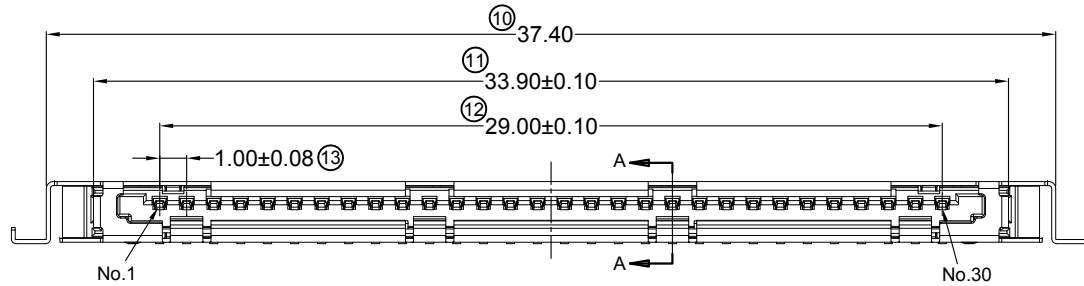
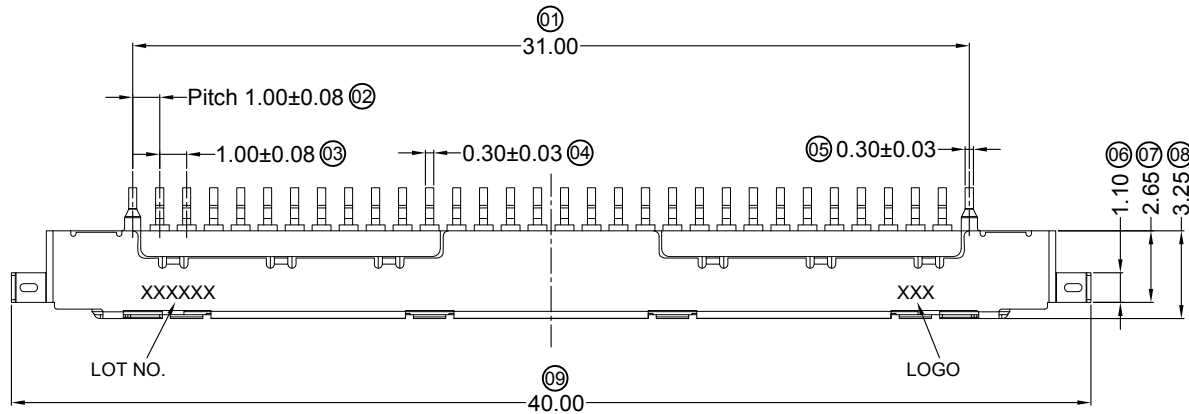
PROJECT



UNIT	SCALE	NUMBER	REV
MM	1 : 1	A-045	A

DATE	OLD REV	NEW REV	ECN	DESCRIPTION	CHECK	APPROVAL
------	---------	---------	-----	-------------	-------	----------

RoHS  Lead-free



SECTION A-A
SCALE 3 : 1

■ Specifications :

- Voltage rating: 200V AC / DC
- Current rating: 1A AC / DC
- Withstanding voltage: 500V AC/minute
- Temperature range: -25°C~+85°C
- Insulation resistance: ≥100MΩ
- Contact resistance: ≤40mΩ
- After environmental testing: ≤50mΩ

7906 W R S-30 X-LP G01 XX

① ② ③ ④ ⑤ ⑥ ⑦ ⑧ ⑨

- ① Series No.
- ② Category: W-wafer
- ③ Welding Board Angle: R-90°
- ④ Welding Way: S-SMT
- ⑤ Row No.-Pin No.: XX-Single row
- ⑥ Special NO.:
- ⑦ Material: LP-LCP 94V-0
- ⑧ Planting Category:
V**:-All Gold-Plated
G**:-Gold-Plated Contact
*01-Gold Flash ; *02-2u" ;
*03-3u" ; *05-5u"
SN-Bright tin plating 70-120u"
SW-Fog Tin plating
- ⑨ Color: Blank-natural color

APPLICABLE P.C.B. DIMENSION

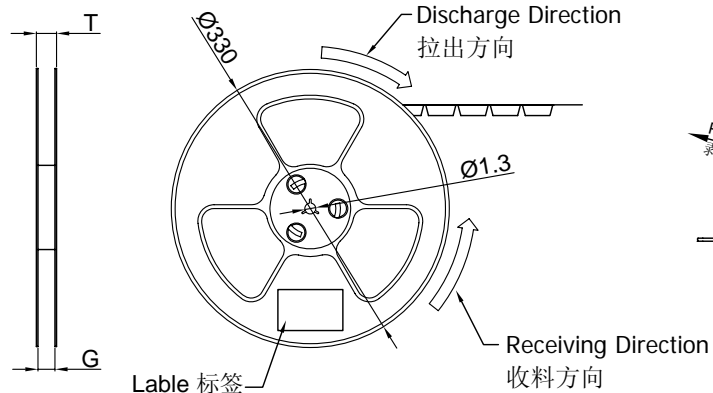
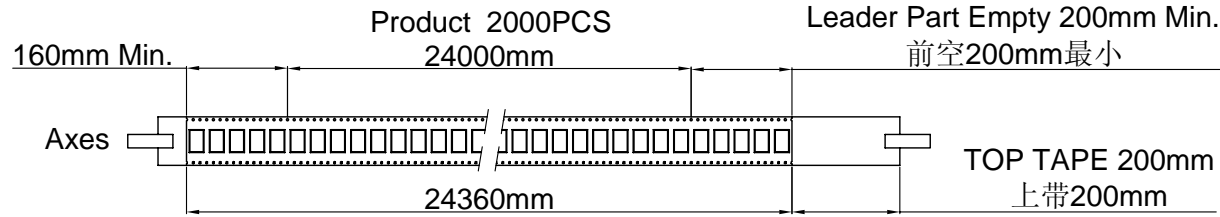
7906WRS-30-LPG01	LCP UL 94V-0	Phosphor bronze	Gold-Flash	Phosphor bronze	Tin-Plated	Stainless Steel	7906H	1,000Pcs
PART NO	Material	Material(Pin)	Finish(Pin)	Material(Solder Tabs)	Finish(Solder Tabs)	Material(Shell)	Mates With SWB Housing	Q'ty/Reel

				GENERAL TOLERANCE				PART NO.				
				.X ±0.30				7906WRS-30-LPG01				
				.XX ±0.20				TITLE				
				.XXX ±0.10				1.00mm Crimp Style Connectors				
14/04/28	A	B	DEL Part No "A"	Jova	APPROVAL	CHECK	DRAWN	DATA	UNIT	SCALE	NUMBER	REV
DATE	OLD REV	NEW REV	DESCRIPTION	CHECK	APPROVAL		Allen	2013/11/20	MM	1 : 1	A-106	B

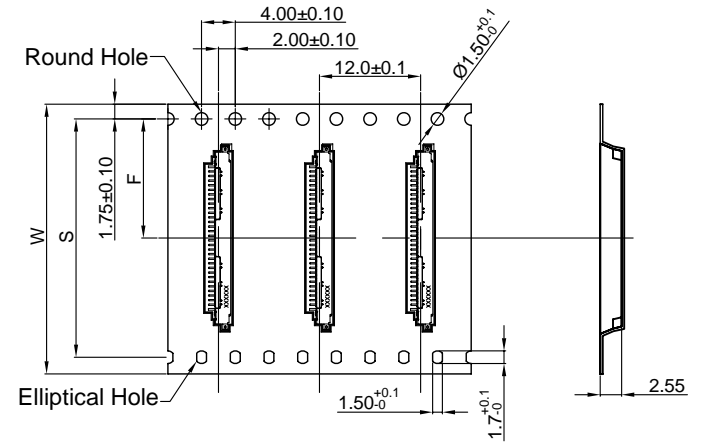
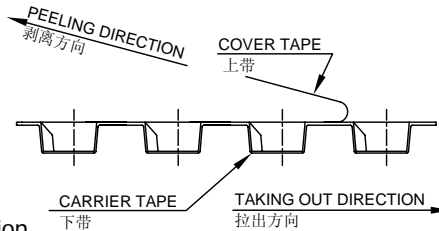
SWB 东莞市思索连接器有限公司
Terminal Connectors DongGuan Siweb Connectors CO.,LTD

APPROVAL CHECK DRAWN DATA

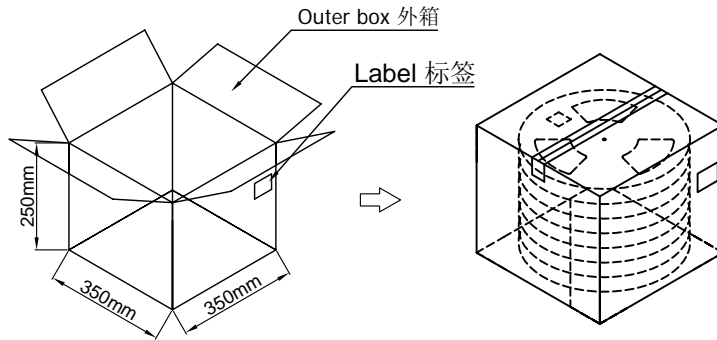
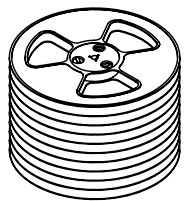




COVER TAPE PEEL STRENGTH:20~120g
 剥离力量20~120g
 速度 PEEL SPEED:300mm/minute



Single hole: None Hole Side
 单孔: 贴无链孔侧
 Double hole: Elliptical Hole Side
 双孔: 贴椭圆孔侧



Note:

- Carrier Camber Is Within 1mm In 100mm ; 带长100mm内容许弯曲度1mm
- 10 Sprocket Hole Pitch Cumulative Tolerance±0.2MM ; 圆孔十个孔距离累计允许公差为±0.2mm
- Material for PS ; 材质为PS材质
- Thickness=0.50±0.05 ; 材料厚度为0.50±0.05mm

	Pin No.	W	S	F	T	G	REEL /PCS	CARTON /R	CARTON /PCS
ZD7906WRS-XX 7906WRS-XX-XXXX	ZD7906WRS-30	56	52.4	26.2	60.5	56.40	2000	3R	6000

							GENERAL TOLERANCE				思索连接器有限公司 SWB CONNECTORS CO.,LTD TERMINAL & CONNECTORS				PART NO.: PPN: ZD7906WRS-XX CPN:7906WRS-XXX-XXXX			
							.X	±0.30	.XX	±0.20					.XXX	±0.10	TITLE: 1.00mm SMT 90° Package	
DATE	OLD REV	NEW REV	ECN	DESCRIPTION	CHECK	APPROVAL	PROJECT	APPROVAL	CHECK	DRAWN	DATA	UNIT	SCALE	NUMBER	REV			
										Allen Pan	2013/12/09	MM	1:1	A-106	A			