

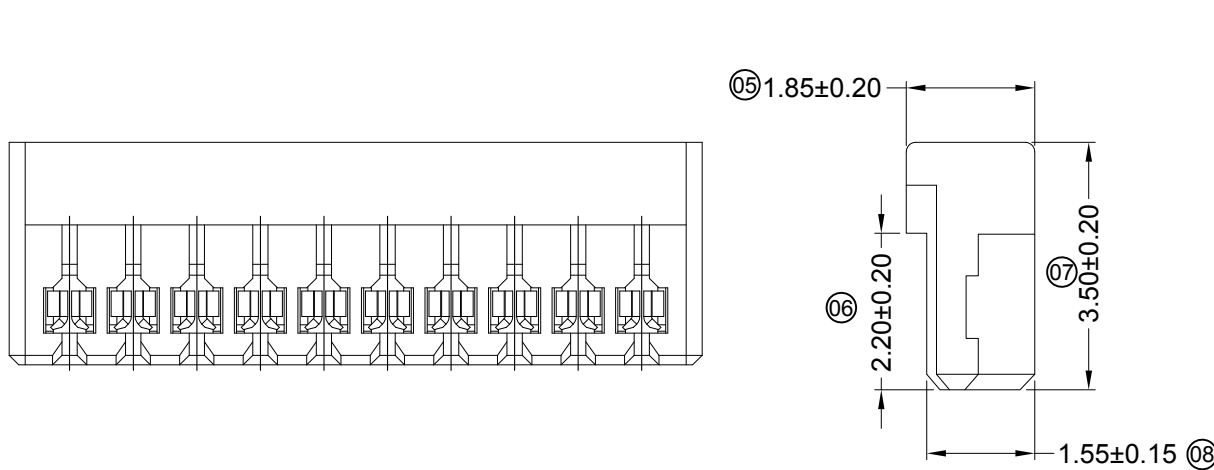
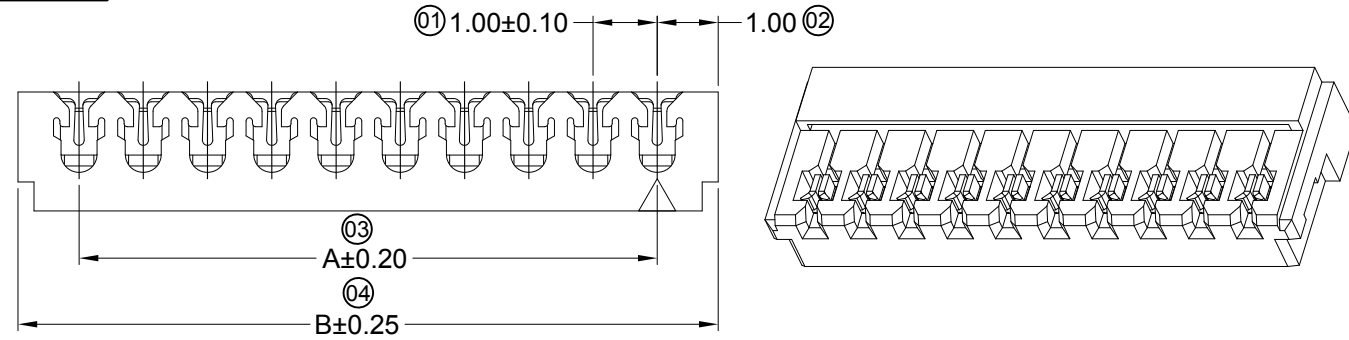
RoHS  Lead-free

■ Specifications :

- Voltage rating: 125V AC / DC
- Current rating: 1A AC / DC (AWG#28-30)  
0.5A AC / DC (AWG#32)
- Withstanding voltage: 500V AC/minute
- Temperature range: -25°C~+85°C
- Insulation resistance: ≥100MΩ
- Contact resistance: ≤20mΩ
- After environmental testing: ≤30mΩ

F  
E  
D  
C  
B  
A

F  
E  
D  
C  
B  
A



1000 H I-XX X-XX XX  
① ② ③ ④ ⑤ ⑥ ⑦

- ① Series No.
- ② Category: H-HSG
- ③ Welding Board Angle: I-HSG+hardware
- ④ Row No.-Pin No.: XX-Single row
- ⑤ Plug the Pin & special No.
- ⑥ Material: N0-PA66 94V-0
- ⑦ Color: Blank-natural color

Poles	Dimensions(mm)	
	A	B
02	1.00	3.00
03	2.00	4.00
04	3.00	5.00
05	4.00	6.00
06	5.00	7.00
08	7.00	9.00
09	8.00	10.0
10	9.00	11.0
11	10.0	12.0
12	11.0	13.0
13	12.0	14.0
14	13.0	15.0

1000HI-XXG-46	Nylon 46 UL 94V-0	Phosphor Bronze	Gold-Flash	1000W	1,000Pcs
1000HI-XX-46	Nylon 46 UL 94V-0	Phosphor Bronze	Tin-Plated		
PART N0	Material	Material(Pin)	Finish(Pin)	Mates With SWB Housing	Q'ty/Bag

							<b>GENERAL TOLERANCE</b> .X ±0.30 .XX ±0.20 .XXX ±0.10				<b>SWB</b> 东莞市思索连接器有限公司 Terminal Connectors DongGuan Siweb Connectors CO.,LTD				<b>PART NO.</b> 1000HI-XX-46			
							<b>APPROVAL</b> <b>CHECK</b> <b>DRAWN</b> <b>DATA</b>				<b>TITLE</b> 1.00 mm Crimp Style Connectors							
DATE	OLD REV	NEW REV	ECN	DESCRIPTION	CHECK	APPROVAL	PROJECT			Allen	2013/08/31	UNIT MM	SCALE 1:1	NUMBER A-106	REV A			

1 2 3 4 5 6 7 8