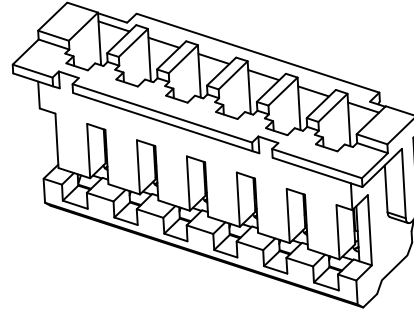
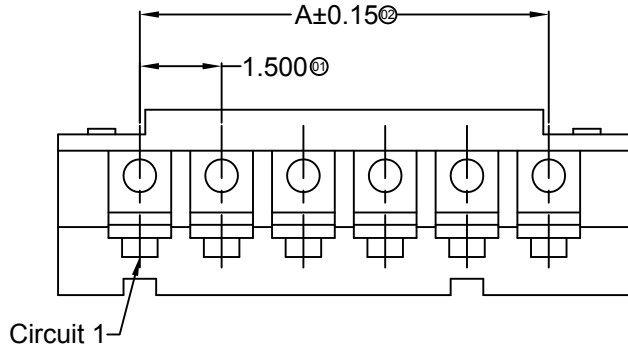
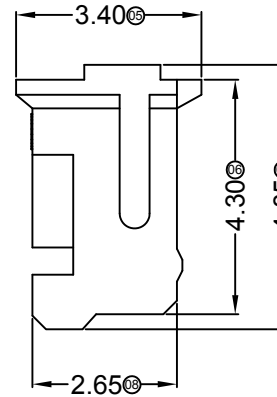
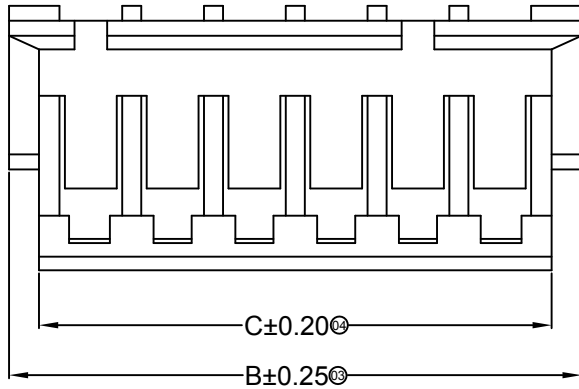


RoHS  Lead-free



■ Specifications :

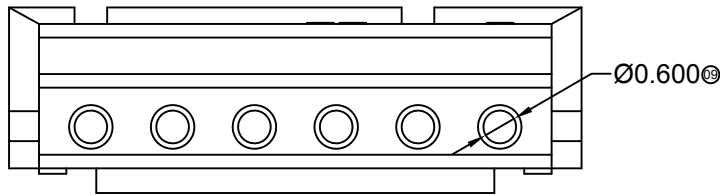
- Voltage rating: 50V AC / DC
- Current rating: 1A AC / DC
- Withstanding voltage: 500V AC/minute
- Temperature range: -25°C~+85°C
- Insulation resistance: ≥500MΩ
- Contact resistance: ≤20mΩ
- After environmental testing: ≤30mΩ



1502 H X-XX X-N0 XX

① ② ③ ④ ⑤ ⑥ ⑦

- ① Series No.
- ② Category: H-HSG
- ③ Welding Board Angle: Blank-ordinary
- ④ Row No.-Pin No.: XX-02P~15P
- ⑤ Plug the Pin & special No.:
- ⑥ Material: N0-PA66 94V-0
- ⑦ Color: Blank-natural color

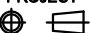


| Poles | Dimensions(mm) | | | Poles | Dimensions(mm) | | |
|-------|----------------|-------|-------|-------|----------------|-------|-------|
| | A | B | C | | A | B | C |
| 02 | 1.50 | 4.50 | 1.40 | 09 | 12.00 | 15.00 | 11.90 |
| 03 | 3.00 | 6.00 | 2.90 | 10 | 13.50 | 16.50 | 13.40 |
| 04 | 4.50 | 7.50 | 4.40 | 11 | 15.00 | 18.00 | 14.90 |
| 05 | 6.00 | 9.00 | 5.90 | 12 | 16.50 | 19.50 | 16.40 |
| 06 | 7.50 | 10.50 | 7.40 | 13 | 18.00 | 21.00 | 17.90 |
| 07 | 9.00 | 12.00 | 8.90 | 14 | 19.50 | 22.50 | 19.40 |
| 08 | 10.50 | 13.50 | 10.40 | 15 | 21.00 | 24.00 | 20.90 |

| | | | |
|-------------|---------------|-----------------------|----------------------|
| 1502H-XX-N0 | PA66 UL 94V-0 | 1502T | 1502W |
| PART NO | Material | Suitable SWB Terminal | Mates With SWB Wafer |

| 2014/05/27 | D | E | Space of a Whole page Changes | Jova | Bob | |
|------------|---------|---------|-------------------------------|-------------|-------|----------|
| DATE | OLD REV | NEW REV | ECN | DESCRIPTION | CHECK | APPROVAL |

GENERAL TOLERANCE
 .X ±0.30
 .XX ±0.20
 .XXX ±0.10

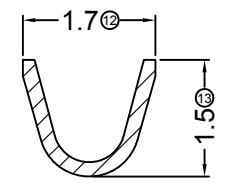
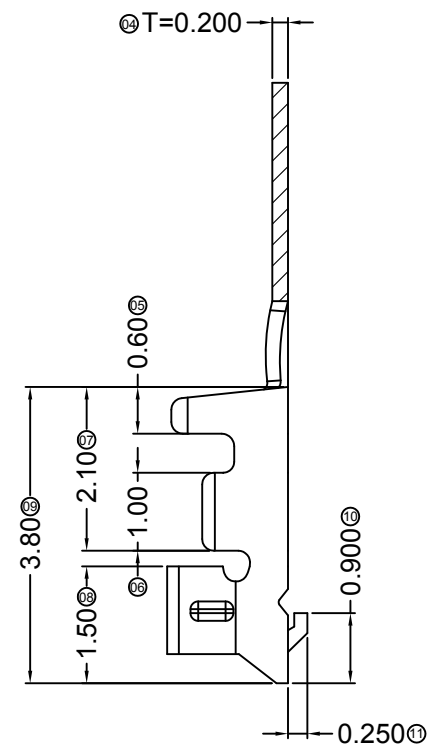
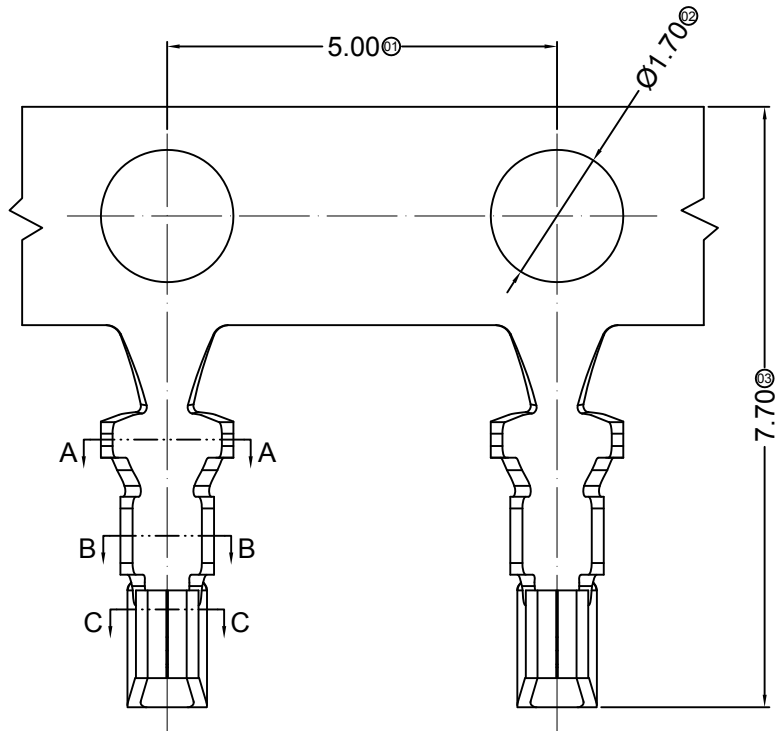
PROJECT 

SWB 思索连接器有限公司
 TERMINAL & CONNECTORS SWB CONNECTORS CO.,LTD

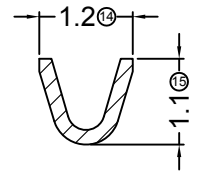
| APPROVAL | CHECK | DRAWN | DATA |
|----------|----------|-----------|------------|
| Bob Sun | Jova Lau | Wuxiaotao | 2014/05/27 |

| PART NO. 1502H-XX-N0 | | | |
|-------------------------------------|-------|--------|-----|
| TITLE 1.50mm Crimp Style Connectors | | | |
| UNIT | SCALE | NUMBER | REV |
| MM | 1:1 | A-010 | E |

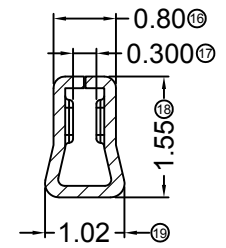
RoHS  Lead-free



SECTION: A-A
SCALE: 1:1



SECTION: B-B
SCALE: 1:1



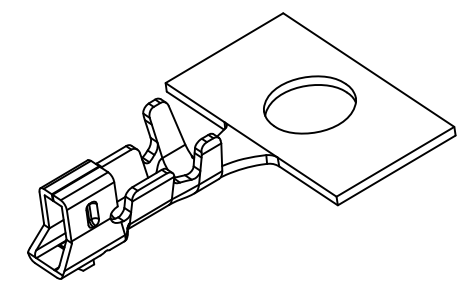
SECTION: C-C
SCALE: 1:1

■ Specifications :


- Voltage rating: 50V AC / DC
- Current rating: 1A AC / DC
- Withstanding voltage: 500V AC/minute
- Temperature range: -25°C~+85°C
- Insulation resistance: ≥500MΩ
- Contact resistance: ≤20mΩ
- After environmental testing: ≤30mΩ

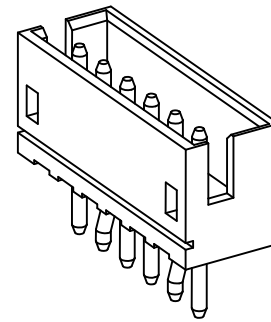
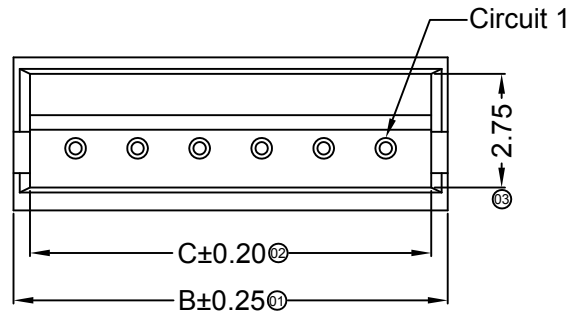
1502 T X-P SN X - X
① ② ③ ④ ⑤ ⑥ ⑦

- ① Series Number
- ② Category: T-Terminal
- ③ Shape: Blank-ordinary
- ④ Material: P-Phosphor bronze
- ⑤ Plating style: SN-Bright tin plating
- ⑥ Plating method: Blank-Stamping before plating
- ⑦ Mold No./Mark/Special No.



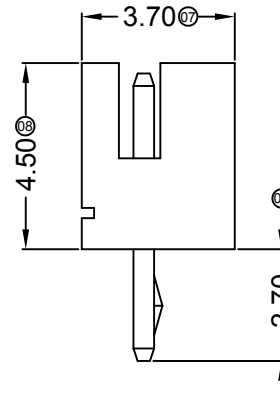
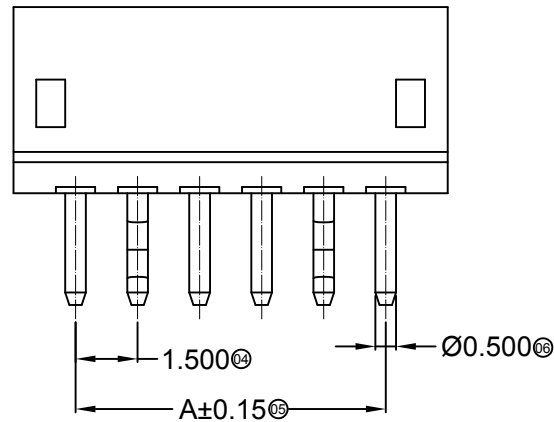
| | | | | | |
|-----------|-----------------|------------|-----------------|---|---------------------|
| 1502T-PSN | Phosphor Bronze | AWG#28-32 | 1.10mm(Max) | Stamping Before Plating:30u" MIN. Ni; 70u" MIN. Sn | 1502H |
| PART NO | Material | Wire Range | Insulation O.D. | Finish | Used In SWB Housing |

| | | | | | | | | | | | | | | | | | | |
|-------------|----------------|----------------|----------------|---------------------------------|--------------|-----------------|--|--|--|--|---|--|--|--|---------------------------|--|--|--|
| | | | | | | | GENERAL TOLERANCE .X ±0.30 .XX ±0.20 .XXX ±0.10 | | | |  思索连接器有限公司 SWB CONNECTORS CO.,LTD | | | | PART NO. 1502T-PSN | | | |
| 2014/06/25 | C | D | | Modify the drawing frame format | Wuxiaotao | Jova | APPROVAL Success CHECK Sun Kaibao DRAWN Jova DATA 2011/08/01 | | | | TITLE 1.50mm Crimp Style Connectors | | | | | | | |
| 2014/03/14 | B | C | ECN20140314001 | Corrected Packing | Bob | | | | | | UNIT MM SCALE 1:1 NUMBER A-010 REV D | | | | | | | |
| DATE | OLD REV | NEW REV | ECN | DESCRIPTION | CHECK | APPROVAL | | | | | | | | | | | | |



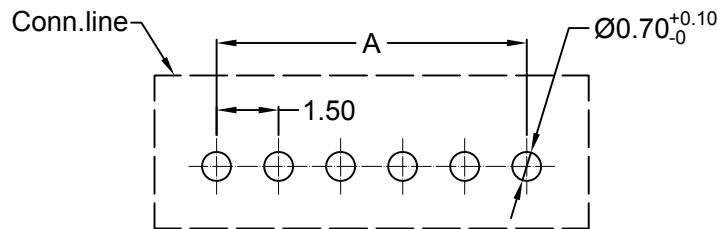
■ Specifications :

- Voltage rating: 50V AC / DC
- Current rating: 1A AC / DC
- Withstanding voltage: 500V AC/minute
- Temperature range: -25°C~+85°C
- Insulation resistance: ≥500MΩ
- Contact resistance: ≤20mΩ
- After environmental testing: ≤30mΩ



1502 W V X-XX K-N0 SN XX
 ① ② ③ ④ ⑤ ⑥ ⑦ ⑧ ⑨

- ① Series No.
- ② Category: W-wafer
- ③ Welding Board Angle: V- Straight 180°
- ④ Welding Way: Blank-DIP
- ⑤ Row No.-Pin No.: XX-02P~12P
- ⑥ Plug the Pin & Special No.: K- Kink
- ⑦ Material: N0-PA66 94V-0
- ⑧ Planting Category: SN-Bright tin plating
- ⑨ Color: Blank-Natural Color

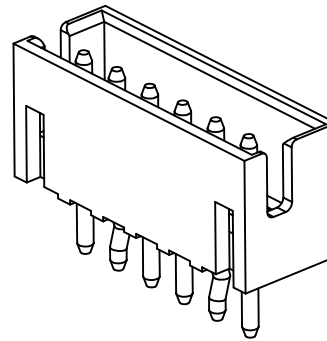
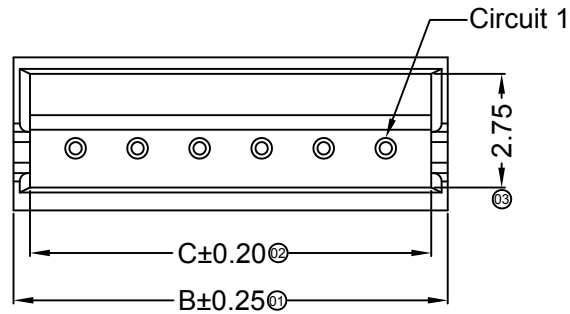


Recommended P.C.B Layout
 General Tolerance±0.05

| Poles | Dimensions(mm) | | | Poles | Dimensions(mm) | | |
|-------|----------------|-------|-------|-------|----------------|-------|-------|
| | A | B | C | | A | B | C |
| 02 | 1.50 | 4.50 | 3.70 | 09 | 12.00 | 15.00 | 14.20 |
| 03 | 3.00 | 6.00 | 5.20 | 10 | 13.50 | 16.50 | 15.70 |
| 04 | 4.50 | 7.50 | 6.70 | 11 | 15.00 | 18.00 | 17.20 |
| 05 | 6.00 | 9.00 | 8.20 | 12 | 16.50 | 19.50 | 18.70 |
| 06 | 7.50 | 10.50 | 9.70 | 13 | 18.00 | 21.00 | 20.20 |
| 07 | 9.00 | 12.00 | 11.20 | 14 | 19.50 | 22.50 | 21.70 |
| 08 | 10.50 | 13.50 | 12.70 | 15 | 21.00 | 24.00 | 23.20 |

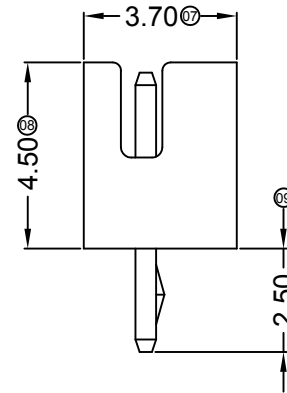
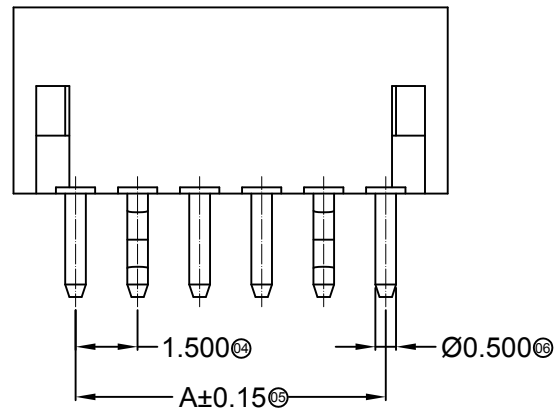
| | | | | |
|-----------------|-------------------|---------------|-------------|------------------------|
| 1502WV-XXK-N0SN | Nylon 66 UL 94V-0 | Brass | Tin-Plated | 1502H |
| PART NO | Material | Material(Pin) | Finish(Pin) | Mates With SWB Housing |

| | | | | | | | | | | | | | | | |
|-------------------------------|--|--|--|-------------------|----------|--|--|-----------|-------------------------------------|--------------------------|--|--------------|--|--|--|
| | | | | GENERAL TOLERANCE | | SWB 思索连接器有限公司 TERMINAL&CONNECTORS SWB CONNECTORS CO.,LTD | | | | PART NO. 1502WV-XXK-N0SN | | | | | |
| | | | | .X ±0.30 | | | | | TITLE 1.50mm Crimp Style Connectors | | | | | | |
| | | | | .XX ±0.20 | APPROVAL | | | | UNIT | | | | | | |
| | | | | .XXX ±0.10 | CHECK | | | | SCALE 1:1 | | | | | | |
| 2014/06/30 | | | | PROJECT | | | | DRAWN | | | | NUMBER A-010 | | | |
| A B | | | | PROJECT | | | | DATA | | | | REV B | | | |
| Space of a Whole page Changes | | | | Bob Sun | | | | Wuxiaotao | | | | 2014/06/30 | | | |
| Jova Bob | | | | Jova Lau | | | | | | | | | | | |
| DATE | | | | APPROVAL | | | | | | | | | | | |
| OLD REV | | | | | | | | | | | | | | | |
| NEW REV | | | | | | | | | | | | | | | |
| ECN | | | | | | | | | | | | | | | |
| DESCRIPTION | | | | | | | | | | | | | | | |
| CHECK | | | | | | | | | | | | | | | |
| APPROVAL | | | | | | | | | | | | | | | |



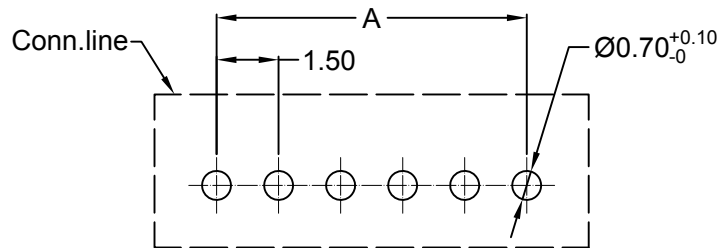
Specifications :

- Voltage rating: 50V AC / DC
- Current rating: 1A AC / DC
- Withstanding voltage: 500V AC/minute
- Temperature range: -25°C~+85°C
- Insulation resistance: ≥500MΩ
- Contact resistance: ≤20mΩ
- After environmental testing: ≤30mΩ



1502 W V X-XX K1-N0 SN XX
 ① ② ③ ④ ⑤ ⑥ ⑦ ⑧ ⑨


- ① Series No.
- ② Category: W-wafer
- ③ Welding Board Angle: V- Straight 180°
- ④ Welding Way: Blank-DIP
- ⑤ Row No.-Pin No.: XX-02P~12P
- ⑥ Plug the Pin & Special No.: K1- Kink Slotless
- ⑦ Material: N0-PA66 94V-0
- ⑧ Planting Category: SN-Bright tin plating
- ⑨ Color: Blank-Natural Color

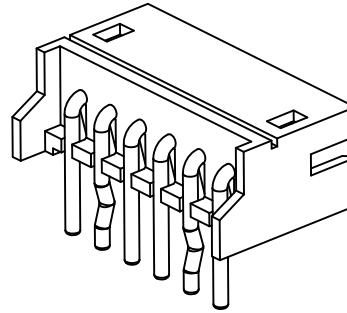


Recommended P.C.B Layout
 General Tolerance±0.05

| Poles | Dimensions(mm) | | | Poles | Dimensions(mm) | | |
|-------|----------------|-------|-------|-------|----------------|-------|-------|
| | A | B | C | | A | B | C |
| 02 | 1.50 | 4.50 | 3.70 | 09 | 12.00 | 15.00 | 14.20 |
| 03 | 3.00 | 6.00 | 5.20 | 10 | 13.50 | 16.50 | 15.70 |
| 04 | 4.50 | 7.50 | 6.70 | 11 | 15.00 | 18.00 | 17.20 |
| 05 | 6.00 | 9.00 | 8.20 | 12 | 16.50 | 19.50 | 18.70 |
| 06 | 7.50 | 10.50 | 9.70 | 13 | 18.00 | 21.00 | 20.20 |
| 07 | 9.00 | 12.00 | 11.20 | 14 | 19.50 | 22.50 | 21.70 |
| 08 | 10.50 | 13.50 | 12.70 | 15 | 21.00 | 24.00 | 23.20 |

| | | | | |
|------------------|-------------------|---------------|-------------|------------------------|
| 1502WV-XXK1-N0SN | Nylon 66 UL 94V-0 | Brass | Tin-Plated | 1502H |
| PART NO | Material | Material(Pin) | Finish(Pin) | Mates With SWB Housing |

| | | | | | | | | | | | | | | | |
|------------|---------|---------|-------------------------------|-------------------|-----------|--|----------|---------|----------|---------------------------|-------------------------------------|-------|--------|-------|---|
| | | | | GENERAL TOLERANCE | |  思索连接器有限公司 SWB CONNECTORS CO.,LTD | | | | PART NO. 1502WV-XXK1-N0SN | | | | | |
| | | | | .X ±0.30 | .XX ±0.20 | | | | | .XXX ±0.10 | TITLE 1.50mm Crimp Style Connectors | | | | |
| 2014/05/28 | A | B | Space of a Whole page Changes | | Jova | Bob | APPROVAL | CHECK | DRAWN | DATA | UNIT | SCALE | NUMBER | REV | |
| DATE | OLD REV | NEW REV | ECN | DESCRIPTION | CHECK | APPROVAL | PROJECT | Bob Sun | Jova Lau | Wuxiaotao | 2014/05/28 | MM | 1:1 | A-010 | B |

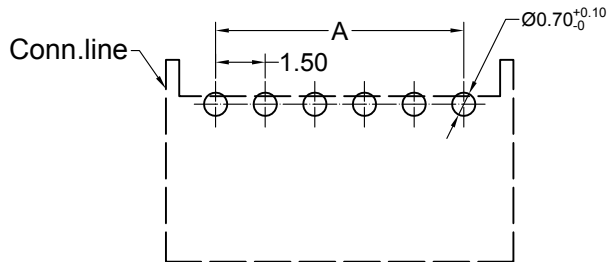
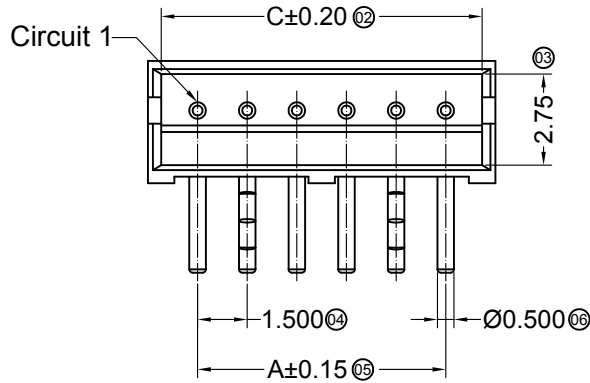
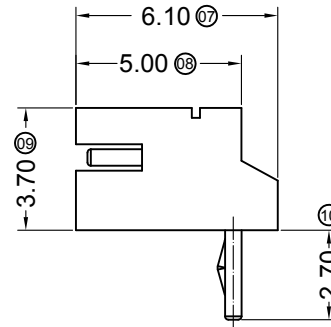
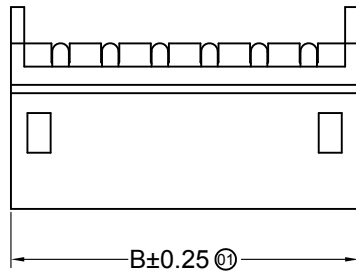


Specifications :

- Voltage rating: 50V AC / DC
- Current rating: 1A AC / DC
- Withstanding voltage: 500V AC/minute
- Temperature range: -25°C~+85°C
- Insulation resistance: ≥500MΩ
- Contact resistance: ≤20mΩ
- After environmental testing: ≤30mΩ

1502 W R X-XX K-N0 SN XX
 ① ② ③ ④ ⑤ ⑥ ⑦ ⑧ ⑨



- ① Series No.
- ② Category: W-wafer
- ③ Welding Board Angle: R- Right Angle 90°
- ④ Welding Way: Blank-DIP
- ⑤ Row No.-Pin No.: XX-02P~15P
- ⑥ Plug the Pin & Special No.: K-Kink
- ⑦ Material: N0-PA66 94V-0
- ⑧ Planting Category: SN-Bright tin plating
- ⑨ Color: Blank-Natural Color



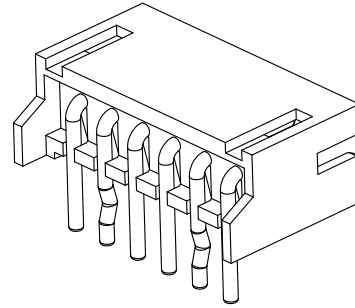
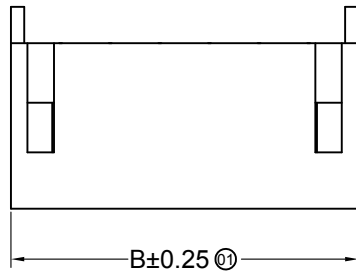
Recommended P.C.B Layout
 General Tolerance±0.05

| Poles | Dimensions(mm) | | | Poles | Dimensions(mm) | | |
|-------|----------------|-------|-------|-------|----------------|-------|-------|
| | A | B | C | | A | B | C |
| 02 | 1.50 | 4.50 | 3.70 | 09 | 12.00 | 15.00 | 14.20 |
| 03 | 3.00 | 6.00 | 5.20 | 10 | 13.50 | 16.50 | 15.70 |
| 04 | 4.50 | 7.50 | 6.70 | 11 | 15.00 | 18.00 | 17.20 |
| 05 | 6.00 | 9.00 | 8.20 | 12 | 16.50 | 19.50 | 18.70 |
| 06 | 7.50 | 10.50 | 9.70 | 13 | 18.00 | 21.00 | 20.20 |
| 07 | 9.00 | 12.00 | 11.20 | 14 | 19.50 | 22.50 | 21.70 |
| 08 | 10.50 | 13.50 | 12.70 | 15 | 21.00 | 24.00 | 23.20 |

| | | | | |
|-----------------|-------------------|---------------|-------------|------------------------|
| 1502WR-XXK-N0SN | Nylon 66 UL 94V-0 | Brass | Tin-Plated | 1502H |
| PART NO | Material | Material(Pin) | Finish(Pin) | Mates With SWB Housing |

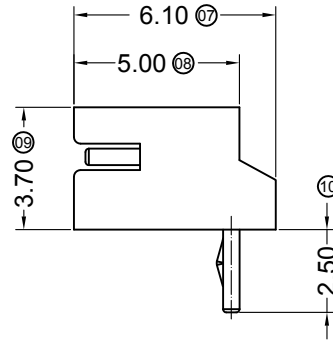
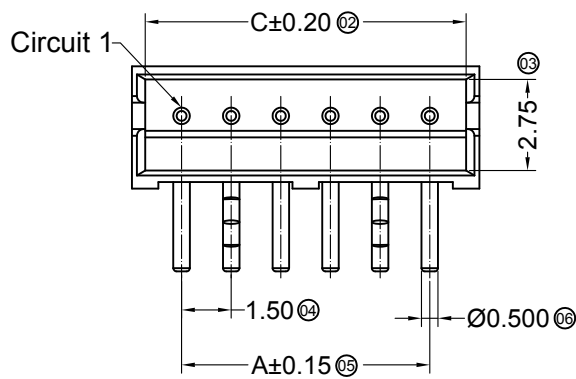
| | | | | | | | | | | | | | | | | | | |
|-------------|----------------|----------------|-------------------------------|--------------------|--------------|-----------------|---|--------------|--------------|-------------|--|-------------|--------------|---------------|---|--|--|--|
| | | | | | | | GENERAL TOLERANCE .X ±0.30 .XX ±0.20 .XXX ±0.10 | | | |  思索连接器有限公司 SWB CONNECTORS CO.,LTD | | | | PART NO. 1502WR-XXK-N0SN TITLE 1.50mm Crimp Style Connectors | | | |
| 2014/06/25 | C | D | Space of a Whole page Changes | | W.X.T | Jova Lau | APPROVAL | CHECK | DRAWN | DATA | | | | | | | | |
| DATE | OLD REV | NEW REV | ECN | DESCRIPTION | CHECK | APPROVAL | PROJECT | Jova Lau | W.X.T | Wuxiaotao | 2014/05/28 | UNIT | SCALE | NUMBER | REV | | | |
| | | | | | | |  | MM | 1:1 | A-010 | D | | | | | | | |

RoHS  Lead-free



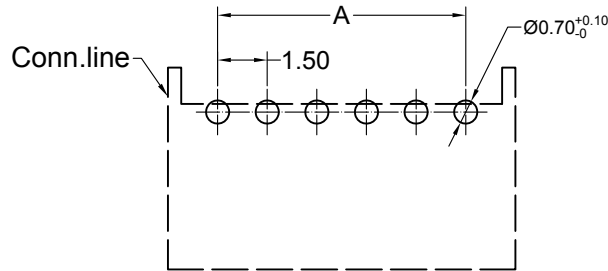
Specifications :

- Voltage rating: 50V AC / DC
- Current rating: 1A AC / DC
- Withstanding voltage: 500V AC/minute
- Temperature range: -25°C~+85°C
- Insulation resistance: ≥500MΩ
- Contact resistance: ≤20mΩ
- After environmental testing: ≤30mΩ



1502 W R X-XX K1-N0 SN XX
 ① ② ③ ④ ⑤ ⑥ ⑦ ⑧ ⑨

- ① Series No.
- ② Category: W-wafer
- ③ Welding Board Angle: R- Right Angle 90°
- ④ Welding Way: Blank-DIP
- ⑤ Row No.-Pin No.: XX-02P~15P
- ⑥ Plug the Pin & Special No.: K1-Kink Slotless
- ⑦ Material: N0-PA66 94V-0
- ⑧ Planting Category: SN-Bright tin plating
- ⑨ Color: Blank-Natural Color



Recommended P.C.B Layout
 General Tolerance±0.05

| Poles | Dimensions(mm) | | | Poles | Dimensions(mm) | | |
|-------|----------------|-------|-------|-------|----------------|-------|-------|
| | A | B | C | | A | B | C |
| 02 | 1.50 | 4.50 | 3.70 | 09 | 12.00 | 15.00 | 14.20 |
| 03 | 3.00 | 6.00 | 5.20 | 10 | 13.50 | 16.50 | 15.70 |
| 04 | 4.50 | 7.50 | 6.70 | 11 | 15.00 | 18.00 | 17.20 |
| 05 | 6.00 | 9.00 | 8.20 | 12 | 16.50 | 19.50 | 18.70 |
| 06 | 7.50 | 10.50 | 9.70 | 13 | 18.00 | 21.00 | 20.20 |
| 07 | 9.00 | 12.00 | 11.20 | 14 | 19.50 | 22.50 | 21.70 |
| 08 | 10.50 | 13.50 | 12.70 | 15 | 21.00 | 24.00 | 23.20 |

| | | | | |
|------------------|-------------------|---------------|-------------|------------------------|
| 1502WR-XXK1-N0SN | Nylon 66 UL 94V-0 | Brass | Tin-Plated | 1502H |
| PART NO | Material | Material(Pin) | Finish(Pin) | Mates With SWB Housing |

GENERAL TOLERANCE
 .X ±0.30
 .XX ±0.20
 .XXX ±0.10

SWB 思索连接器有限公司
 TERMINAL & CONNECTORS SWB CONNECTORS CO.,LTD

PART NO. 1502WR-XXK1-N0SN

TITLE 1.50mm Crimp Style Connectors

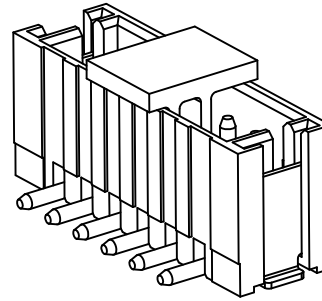
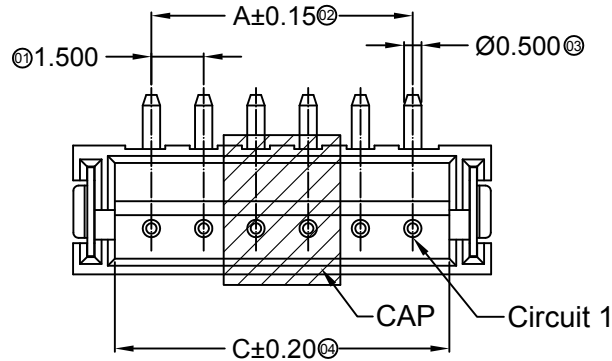
APPROVAL CHECK DRAWN DATA

UNIT SCALE NUMBER REV
 MM 1:1 A-010 A

PROJECT 

Bob Sun Jova Lau Wuxiaotao 2014/05/28

| DATE | OLD REV | NEW REV | ECN | DESCRIPTION | CHECK | APPROVAL |
|------|---------|---------|-----|-------------|-------|----------|
| | | | | | | |

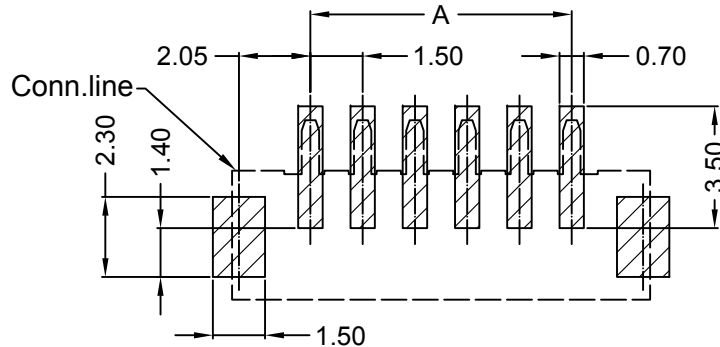
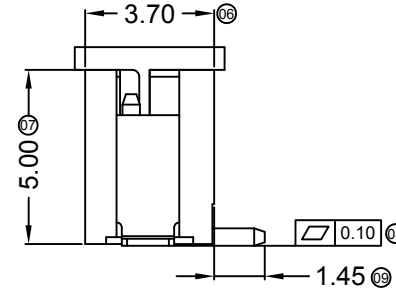
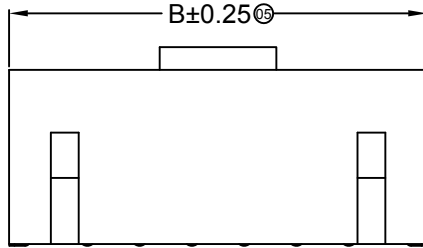


Specifications :

- Voltage rating: 50V AC / DC
- Current rating: 1A AC / DC
- Withstanding voltage: 500V AC/minute
- Temperature range: -25°C~+85°C
- Insulation resistance: ≥500MΩ
- Contact resistance: ≤20mΩ
- After environmental testing: ≤30mΩ

1502 W V S-XX X-XX SN XX
① ② ③ ④ ⑤ ⑥ ⑦ ⑧ ⑨


- ① Series No.
- ② Category: W-wafer
- ③ Welding Board Angle: V- Straight 180°
- ④ Welding Way: S-SMT
- ⑤ Row No.-Pin No.: XX-02P~15P
- ⑥ Plug the Pin & Special No.:
- ⑦ Material: 6T -PA6T 94V-0 ; 9T- PA9T 94V-0
- ⑧ Planting Category: SN-Bright tin plating
- ⑨ Color: Blank-Natural Color



Recommended P.C.B Layout
General Tolerance±0.05

| Poles | Dimensions(mm) | | | Poles | Dimensions(mm) | | |
|-------|----------------|-------|-------|-------|----------------|-------|-------|
| | A | B | C | | A | B | C |
| 02 | 1.50 | 6.00 | 3.60 | 09 | 12.00 | 16.50 | 14.10 |
| 03 | 3.00 | 7.50 | 5.10 | 10 | 13.50 | 18.00 | 15.60 |
| 04 | 4.50 | 9.00 | 6.60 | 11 | 15.00 | 19.50 | 17.10 |
| 05 | 6.00 | 10.50 | 8.10 | 12 | 16.50 | 21.00 | 18.60 |
| 06 | 7.50 | 12.00 | 9.60 | 13 | 18.00 | 22.50 | 20.10 |
| 07 | 9.00 | 13.50 | 11.10 | 14 | 19.50 | 24.00 | 21.60 |
| 08 | 10.50 | 15.00 | 12.60 | 15 | 21.00 | 25.50 | 23.10 |

| | | | | | | |
|-----------------|---------------|---------------|-------------|------------------------|----------------------|------------------------|
| 1502WVS-XX-9TSN | PA9T UL 94V-0 | Brass | Tin-Plated | Phosphor Bronze | Tin-Plated | 1502H |
| 1502WVS-XX-6TSN | PA6T UL 94V-0 | | | | | |
| PART NO | Material | Material(Pin) | Finish(Pin) | Material (Solder Tabs) | Finish (Solder Tabs) | Mates With SWB Housing |

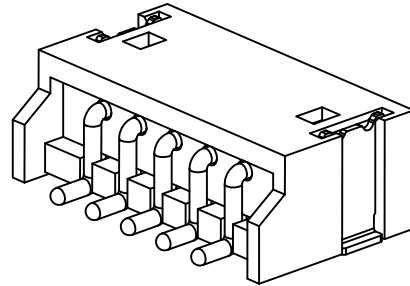
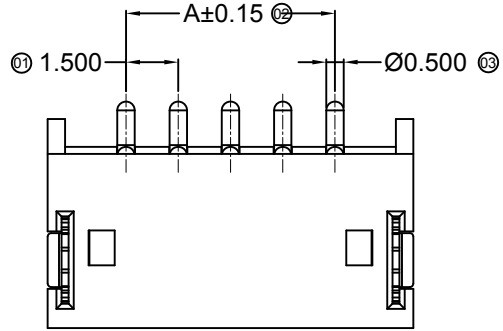
| DATE | OLD REV | NEW REV | ECN | DESCRIPTION | CHECK | APPROVAL | PROJECT |
|------------|---------|---------|-----|-------------------------------|-------|----------|---|
| 2014/05/28 | | | | Space of a Whole page Changes | Jova | Bob |  |

| GENERAL TOLERANCE | |
|-------------------|-------|
| .X | ±0.30 |
| .XX | ±0.20 |
| .XXX | ±0.10 |

SWB 思索连接器有限公司
TERMINAL&CONNECTORS SWB CONNECTORS CO.,LTD

| APPROVAL | CHECK | DRAWN | DATA |
|----------|----------|-----------|------------|
| Bob Sun | Jova Lau | Wuxiaotao | 2014/05/28 |

| PART NO. | | | |
|-------------------------------|-------|--------|-----|
| 1502WVS-XX-XXSN | | | |
| TITLE | | | |
| 1.50mm Crimp Style Connectors | | | |
| UNIT | SCALE | NUMBER | REV |
| MM | 1:1 | A-010 | E |



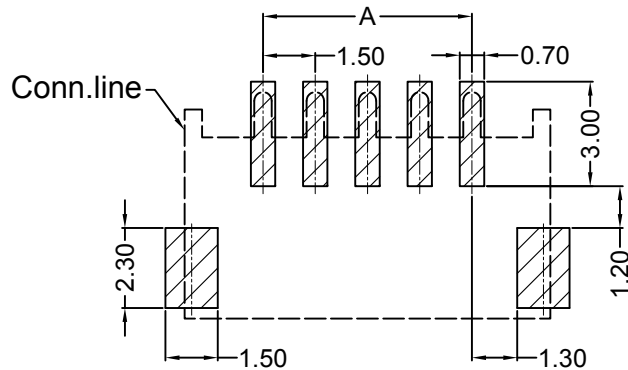
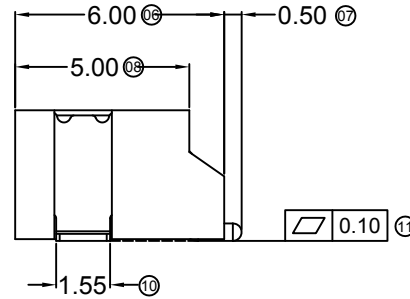
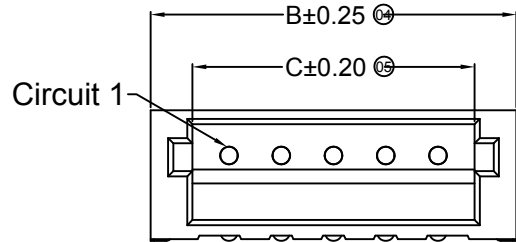
Specifications :

- Voltage rating: 50V AC / DC
- Current rating: 1A AC / DC
- Withstanding voltage: 500V AC/minute
- Temperature range: -25°C~+85°C
- Insulation resistance: ≥500MΩ
- Contact resistance: ≤20mΩ
- After environmental testing: ≤30mΩ

1502 W R S-XX X-XX SN XX

① ② ③ ④ ⑤ ⑥ ⑦ ⑧ ⑨


- ① Series No.
- ② Category: W-wafer
- ③ Welding Board Angle: R- Right Angle 90°
- ④ Welding Way: S-SMT
- ⑤ Row No.-Pin No.: XX-02P~15P
- ⑥ Plug the Pin & Special No.:
- ⑦ Material: 6T -PA6T 94V-0 ; 9T- PA9T 94V-0
- ⑧ Planting Category: SN-Bright tin plating
- ⑨ Color: Blank-Natural Color



Recommended P.C.B Layout
General Tolerance±0.05

| Poles | Dimensions(mm) | | | Poles | Dimensions(mm) | | |
|-------|----------------|-------|-------|-------|----------------|-------|-------|
| | A | B | C | | A | B | C |
| 02 | 1.50 | 6.00 | 3.60 | 09 | 12.00 | 16.50 | 14.10 |
| 03 | 3.00 | 7.50 | 5.10 | 10 | 13.50 | 18.00 | 15.60 |
| 04 | 4.50 | 9.00 | 6.60 | 11 | 15.00 | 19.50 | 17.10 |
| 05 | 6.00 | 10.50 | 8.10 | 12 | 16.50 | 21.00 | 18.60 |
| 06 | 7.50 | 12.00 | 9.60 | 13 | 18.00 | 22.50 | 20.10 |
| 07 | 9.00 | 13.50 | 11.10 | 14 | 19.50 | 24.00 | 21.60 |
| 08 | 10.50 | 15.00 | 12.60 | 15 | 21.00 | 25.50 | 23.10 |

| | | | | | | |
|-----------------|-------------------|---------------|-------------|------------------------|----------------------|------------------------|
| 1502WRS-XX-9TSN | Nylon 9T UL 94V-0 | Brass | Tin-Plated | Phosphor Bronze | Tin-Plated | 1502H |
| 1502WRS-XX-6TSN | Nylon 6T UL 94V-0 | | | | | |
| PART NO | Material | Material(Pin) | Finish(Pin) | Material (Solder Tabs) | Finish (Solder Tabs) | Mates With SWB Housing |

| DATE | OLD REV | NEW REV | ECN | DESCRIPTION | CHECK | APPROVAL | PROJECT |
|------------|---------|---------|-----|-------------------------------|-------|----------|---|
| 2014/05/28 | D | E | | Space of a Whole page Changes | Jova | Bob |  |

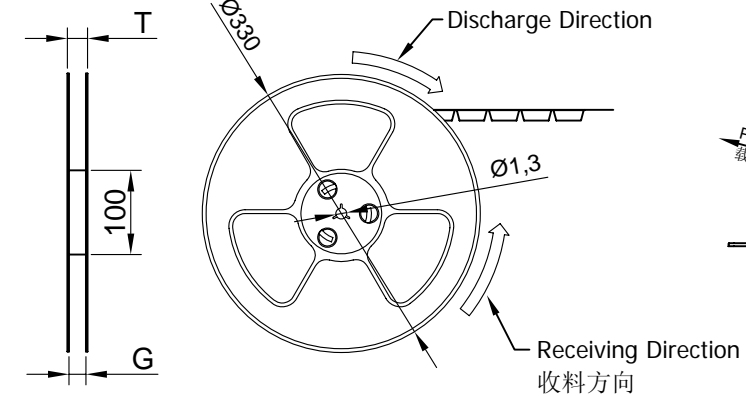
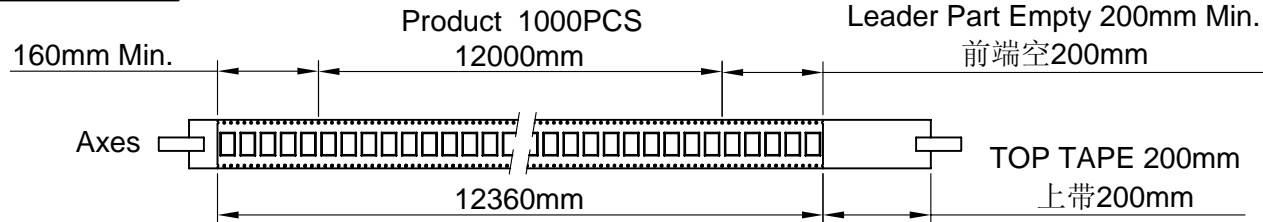
GENERAL TOLERANCE
.X ±0.30
.XX ±0.20
.XXX ±0.10

SWB 思索连接器有限公司
TERMINAL & CONNECTORS SWB CONNECTORS CO.,LTD

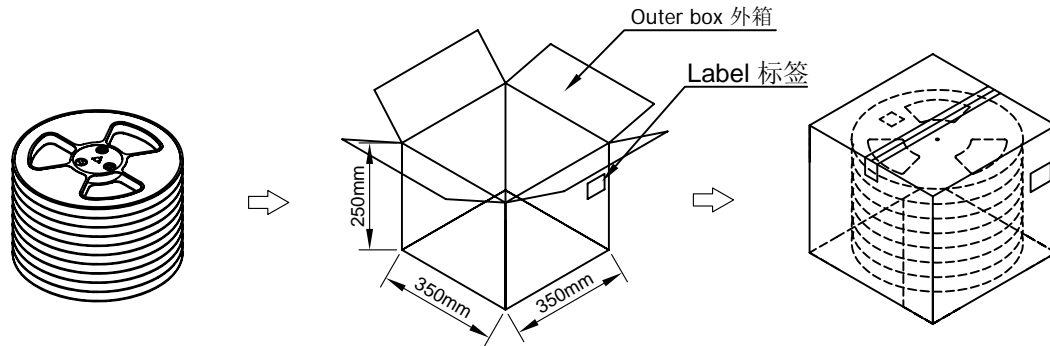
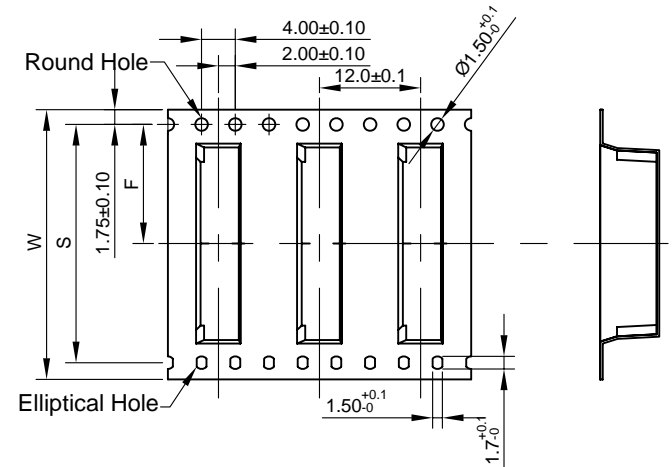
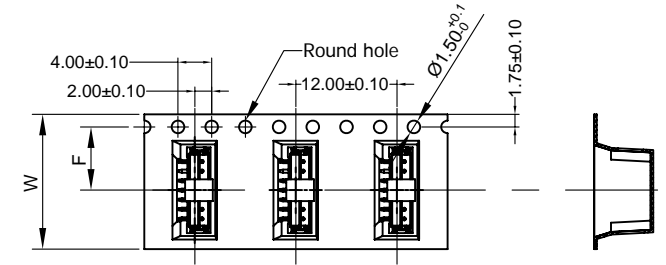
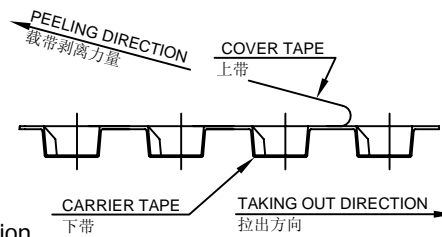
| APPROVAL | CHECK | DRAWN | DATA |
|----------|----------|-----------|------------|
| Bob Sun | Jova Lau | Wuxiaotao | 2014/05/28 |

| PART NO. | | | |
|-------------------------------|-------|--------|-----|
| 1502WRS-XX-XXSN | | | |
| TITLE | | | |
| 1.50mm Crimp Style Connectors | | | |
| UNIT | SCALE | NUMBER | REV |
| MM | 1 : 1 | A-010 | E |

RoHS Lead-free



COVER TAPE PEEL STRENGTH:20-120g
上带剥离力量: 20-120g
速度PEEL SPEED:300mm/minute



Note:

1. Carrier Camber Is Within 1mm In 100mm ; 带长100mm内容许弯曲度1mm
2. 10 Sprocket Hole Pitch Cumulative Tolerance±0.2MM ; 圆孔十个孔距离累计允许公差为±0.2mm
3. Material for PS ; 材质为PS材质
4. Thickness=0.40±0.05 ; 材料厚度为0.40±0.05mm

| | Pin No. | W | S | F | T | G | REEL /PCS | CARTON /R | CARTON /PCS |
|---------------------------------|--------------|----|-------|-------|-------|-------|-----------|-----------|-------------|
| ZD1502WVS-XX 1502WVS-XX-XXXX | ZD1502WVS-02 | 16 | / | 7.50 | 20.50 | 16.40 | 1000 | 11R | 11000 |
| | ZD1502WVS-03 | | | | | | | | |
| | ZD1502WVS-04 | | | | | | | | |
| | ZD1502WVS-05 | 24 | / | 11.50 | 28.50 | 24.40 | 1000 | 8R | 8000 |
| | ZD1502WVS-06 | | | | | | | | |
| | ZD1502WVS-07 | | | | | | | | |
| | ZD1502WVS-08 | | | | | | | | |
| | ZD1502WVS-09 | | | | | | | | |
| | ZD1502WVS-10 | 32 | 28.40 | 14.20 | 36.50 | 32.40 | 1000 | 6R | 6000 |
| | ZD1502WVS-11 | | | | | | | | |
| | ZD1502WVS-12 | | | | | | | | |
| | ZD1502WVS-13 | | | | | | | | |
| | ZD1502WVS-14 | | | | | | | | |
| | ZD1502WVS-15 | 44 | 40.40 | 20.20 | 48.50 | 44.40 | 1000 | 5R | 5000 |
| | ZD1502WVS-16 | | | | | | | | |

GENERAL TOLERANCE
.X ±0.30
.XX ±0.20
.XXX ±0.10

SWB 思索连接器有限公司
TERMINAL&CONNECTORS SWB CONNECTORS CO.,LTD

PART NO. PPN: ZD1502WVS-XX
CPN:1502WVS-XX-XXXX

APPROVAL CHECK DRAWN DATA

TITLE 1.50mm SMT 180° Package

DATE OLD REV NEW REV ECN DESCRIPTION CHECK APPROVAL

PROJECT

Allen Pan 2013/12/09

UNIT MM SCALE 1:1 NUMBER A-106 REV A