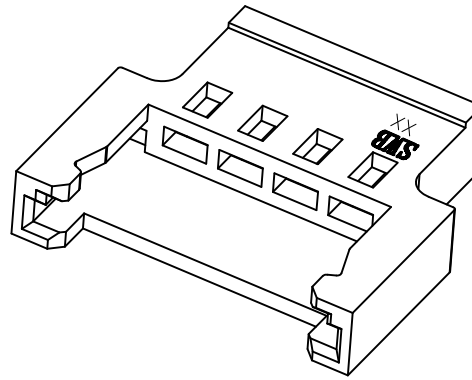
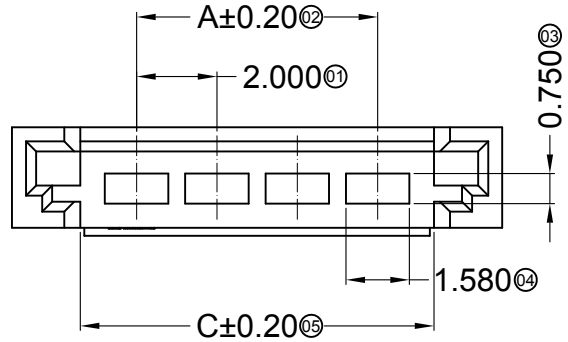


RoHS  Lead-free



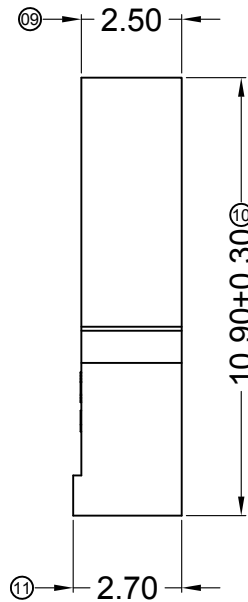
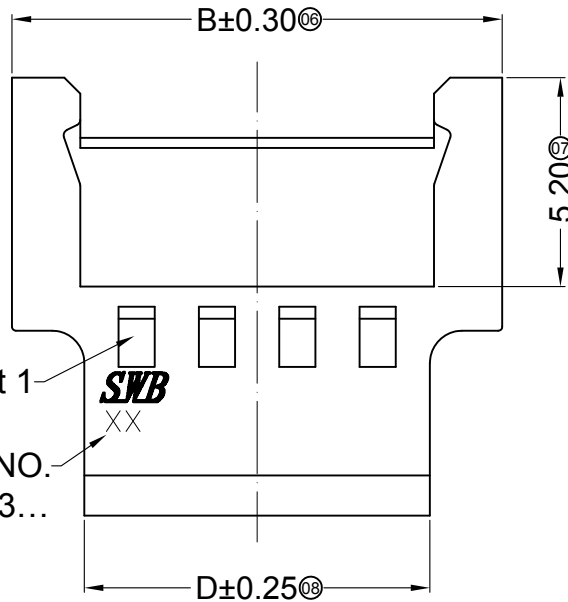
■ Specifications :

- Voltage rating: 125V AC / DC
- Current rating: 2A AC / DC
- Withstanding voltage: 500V AC/minute
- Temperature range: -25°C~+85°C
- Insulation resistance: ≥1000MΩ
- Contact resistance: ≤20mΩ
- After environmental testing: ≤30mΩ

9515 H F-XX XX-XX


① ②③ ④ ⑤ ⑥

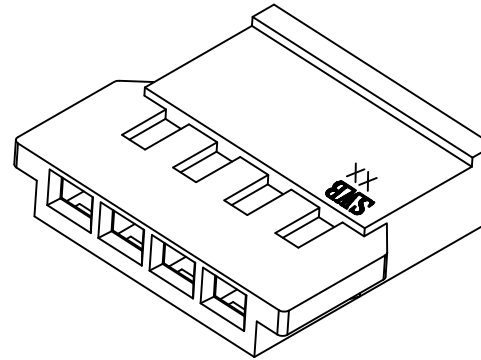
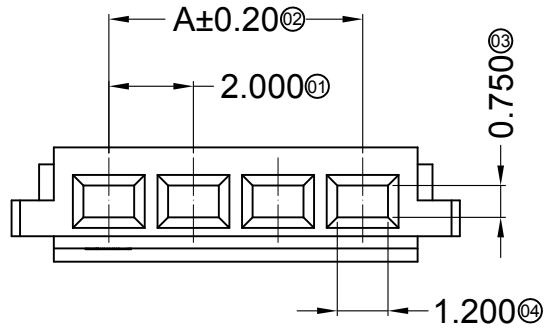
- ① Series No.
- ② Category: H-HSG
- ③ Appearance type: F- Female HSG
- ④ Row No.-Pin No.: XX-02P~20P
- ⑤ Plug the Pin & special No.: HF-Halogen Free
- ⑥ Material: N0-PA66 UL 94V-0
PT-PBT UL 94V-0



Poles	Dimensions (mm)				Poles	Dimensions (mm)			
	A	B	C	D		A	B	C	D
02	2.00	8.20	4.80	4.60	12	22.00	28.20	24.80	24.60
03	4.00	10.20	6.80	6.60	13	24.00	30.20	26.80	26.60
04	6.00	12.20	8.80	8.60	14	26.00	32.20	28.80	28.60
05	8.00	14.20	10.80	10.60	15	28.00	34.20	30.80	30.60
06	10.00	16.20	12.80	12.60	16	30.00	36.20	32.80	32.60
07	12.00	18.20	14.80	14.60	17	32.00	38.20	34.80	34.60
08	14.00	20.20	16.80	16.60	18	34.00	40.20	36.80	36.60
09	16.00	22.20	18.80	18.60	19	36.00	42.20	38.80	38.60
10	18.00	24.20	20.80	20.60	20	38.00	44.20	40.80	40.60
11	20.00	26.20	22.80	22.60					

9515HF-XXHF-N0	PA66 UL 94V-0 Halogen Free	9515TM	9515HM
9515HF-XX-PT	PBT UL 94V-0		
PART NO	Material	Suitable SWB Terminal	Mates With SWB Housing

						GENERAL TOLERANCE		 思索连接器有限公司 SWB CONNECTORS CO.,LTD				PART NO. 9515HF-XXXX-XX			
2014/11/24	C	D	/	Space of a Whole page Changes	Wuxiaotao	Jova	.X ±0.30	APPROVAL	CHECK	DRAWN	DATA	TITLE 2.00mm Crimp Style Connectors			
2013/08/23	B	C	/	Modify drawing frame format	Jova		.XX ±0.20	Success	Sun Kaibao	Jova	2007/05/03	UNIT	SCALE	NUMBER	REV
DATE	OLD REV	NEW REV	ECN	DESCRIPTION	CHECK	APPROVAL	.XXX ±0.10	PROJECT				MM	1:1	A-094	D



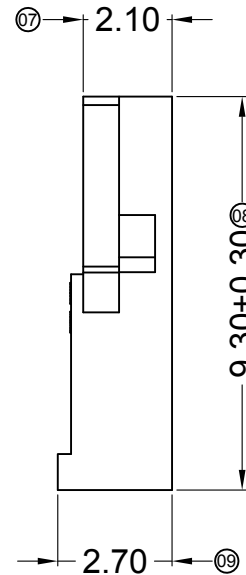
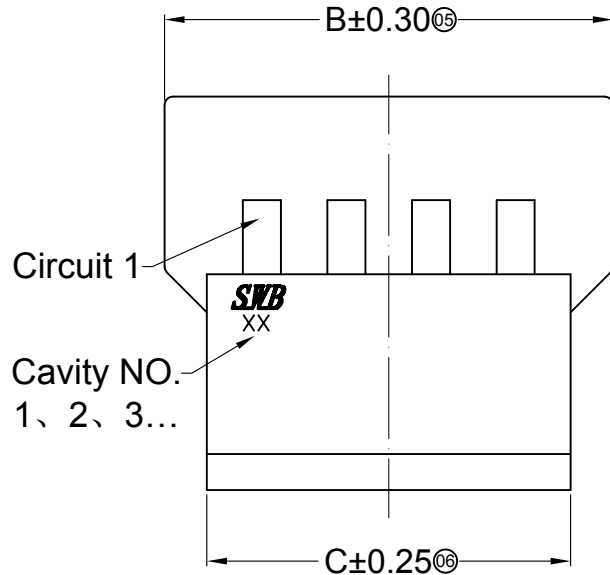
■ Specifications :

- Voltage rating: 125V AC / DC
- Current rating: 2A AC / DC
- Withstanding voltage: 500V AC/minute
- Temperature range: -25°C~+85°C
- Insulation resistance: ≥1000MΩ
- Contact resistance: ≤20mΩ
- After environmental testing: ≤30mΩ

9515 H M-XX XX-XX


① ② ③ ④ ⑤ ⑥

- ① Series No.
- ② Category: H-HSG
- ③ Appearance type: M-male HSG
- ④ Row No.-Pin No.: XX-02P~20P
- ⑤ Plug the Pin & special No.: HF-Halogen Free
- ⑥ Material: N0-PA66 UL 94V-0
PT-PBT UL 94V-0

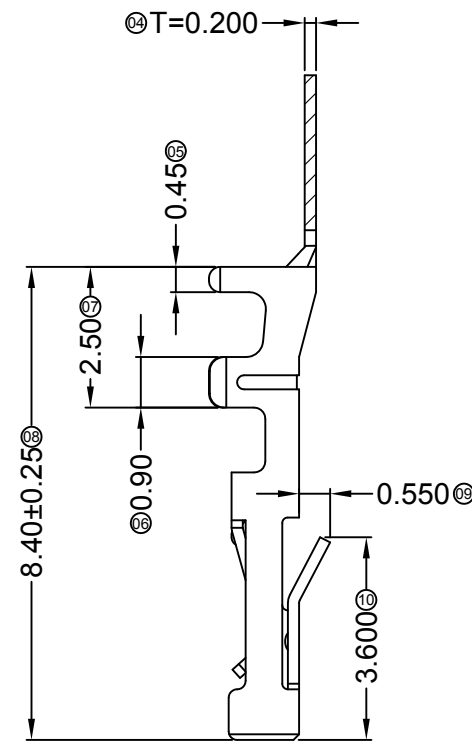
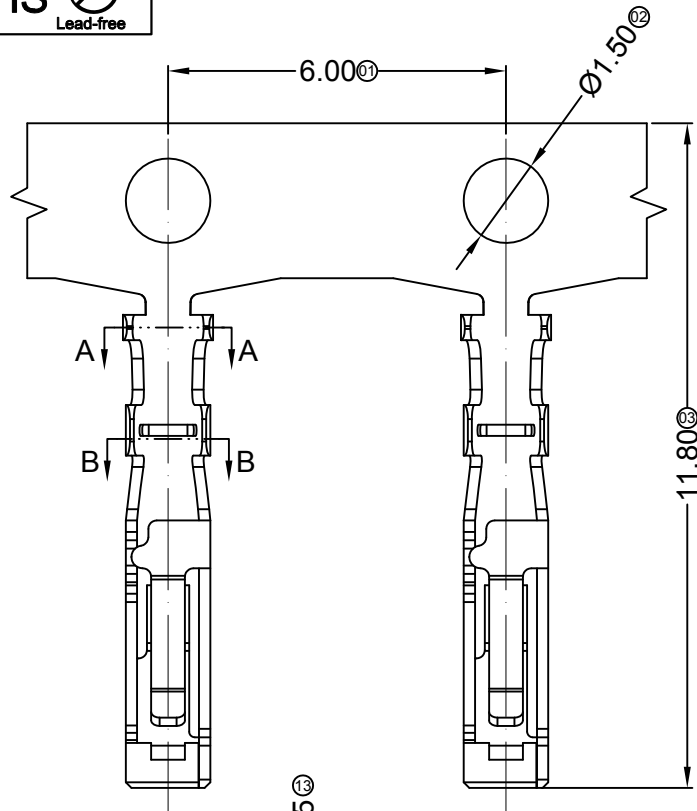


Poles	Dimensions (mm)			Poles	Dimensions (mm)		
	A	B	C		A	B	C
02	2.00	6.60	4.60	12	22.00	26.60	24.60
03	4.00	8.60	6.60	13	24.00	28.60	26.60
04	6.00	10.60	8.60	14	26.00	30.60	28.60
05	8.00	12.60	10.60	15	28.00	32.60	30.60
06	10.00	14.60	12.60	16	30.00	34.60	32.60
07	12.00	16.60	14.60	17	32.00	36.60	34.60
08	14.00	18.60	16.60	18	34.00	38.60	36.60
09	16.00	20.60	18.60	19	36.00	40.60	38.60
10	18.00	22.60	20.60	20	38.00	42.60	40.60
11	20.00	24.60	22.60				

9515HM-XXHF-N0	PA66 UL 94V-0 Halogen Free	9515TF	9515HF
9515HM-XX-PT	PBT UL 94V-0		
PART NO	Material	Suitable SWB Terminal	Mates With SWB Housing

								GENERAL TOLERANCE		 思索连接器有限公司 SWB CONNECTORS CO.,LTD				PART NO. 9515HM-XXXX-XX			
2014/11/24	C	D		Space of a Whole page Changes	Wuxiaotao	Jova		.X	±0.30	APPROVAL		CHECK		DRAWN		DATA	
2013/08/23	B	C		Modify drawing frame format	Jova			.XX	±0.20	Success	Sun Kaibao	Jova	TITLE 2.00mm Crimp Style Connectors				
DATE	OLD REV	NEW REV	ECN	DESCRIPTION	CHECK	APPROVAL	PROJECT	.XXX	±0.10				UNIT	SCALE	NUMBER	REV	
													MM	1:1	A-094	D	

RoHS  Lead-free

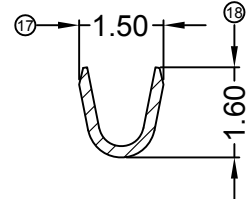
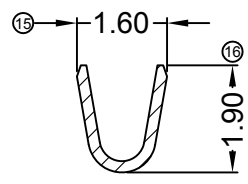
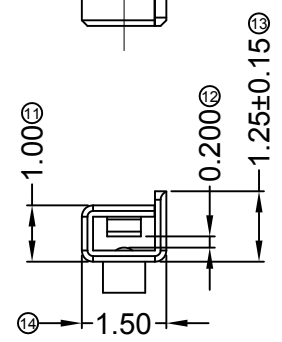


Specifications :

- Voltage rating: 125V AC / DC
- Current rating: 2A AC / DC
- Withstanding voltage: 500V AC/minute
- Temperature range: -25°C~+85°C
- Insulation resistance: ≥1000MΩ
- Contact resistance: ≤20mΩ
- After environmental testing: ≤30mΩ

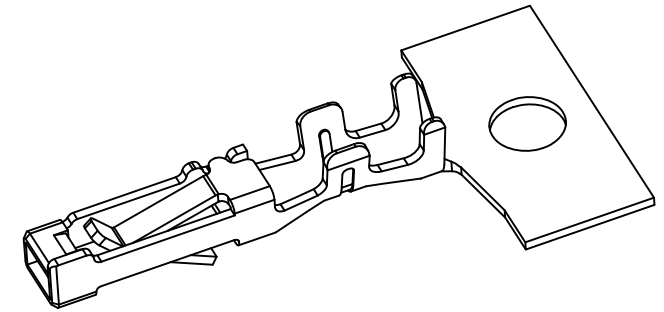
9515 T F-P SN X - X
 ① ② ③ ④ ⑤ ⑥ ⑦

- ① Series Number
- ② Category: T-terminal
- ③ Shape: F-Female
- ④ Material: P-Phosphor bronze
- ⑤ Plating style: SN-Bright tin plating
- ⑥ Plating method: Blank-Stamping before plating
- ⑦ Mold No./Mark/Special No. :




SECTION: A-A
SCALE: 1:1

SECTION: B-B
SCALE: 1:1



9515TF-PSN	Phosphor Bronze	AWG#24-28	1.40mm(Max)	Stamping Before Plating:30u" MIN. Ni; 70u" MIN.Sn	9515HM
PART NO	Material	Wire Range	Insulation O.D.	Finish	Used In SWB Housing

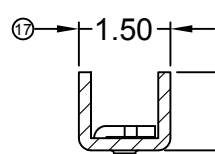
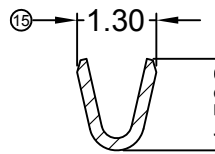
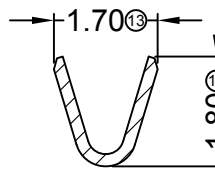
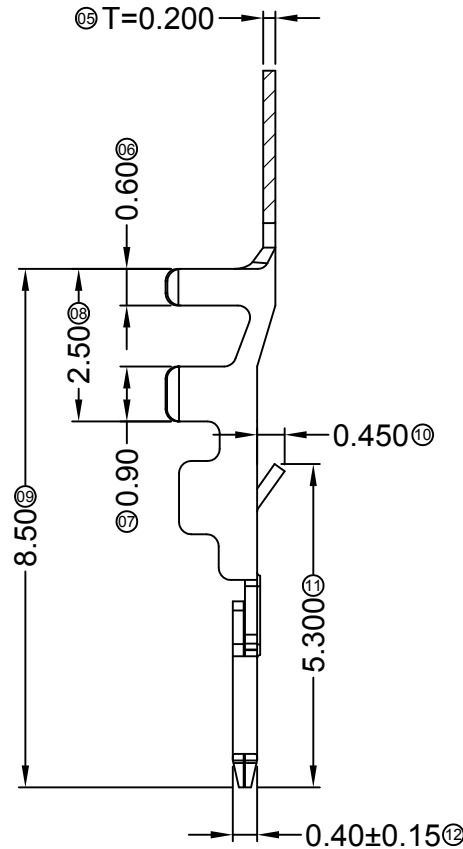
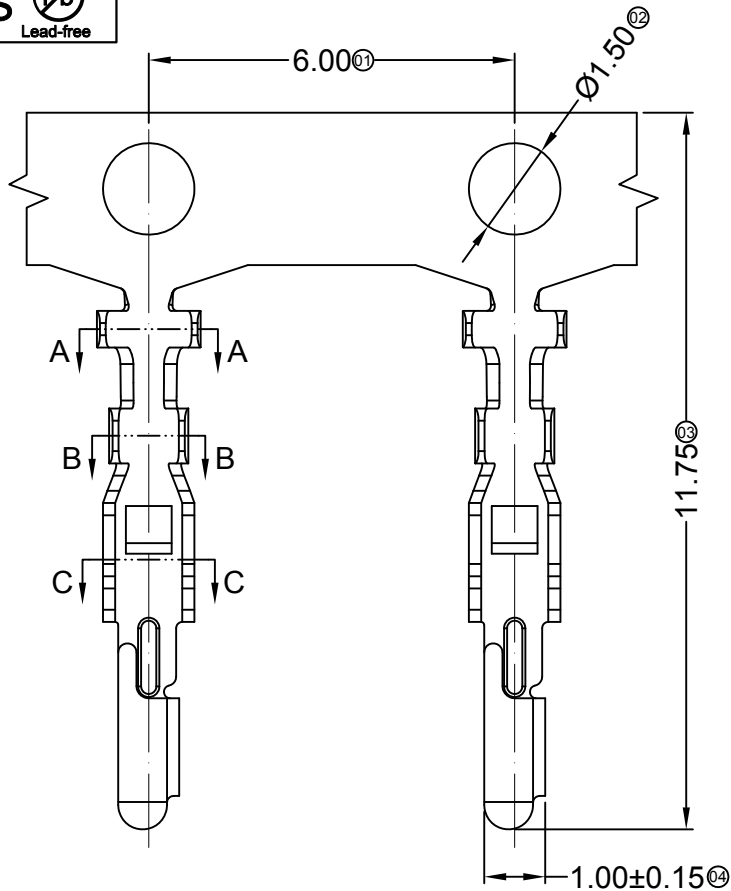
2014/11/25	D	E	/	Space of a Whole page Changes	Wuxiaotao	Jova	
2013/08/23	C	D	/	Modify drawing frame format	Jova		
DATE	OLD REV	NEW REV	ECN	DESCRIPTION	CHECK	APPROVAL	

GENERAL TOLERANCE	
.X	±0.30
.XX	±0.20
.XXX	±0.10
PROJECT	

SWB 思索连接器有限公司 TERMINAL&CONNECTORS SWB CONNECTORS CO.,LTD			
APPROVAL	CHECK	DRAWN	DATA
Success	Sun Kaibao	Jova	2007/05/03

PART NO. 9515TF-PSN			
TITLE 2.00mm Crimp Style Connectors			
UNIT	SCALE	NUMBER	REV
MM	1:1	A-013	E

RoHS  Lead-free

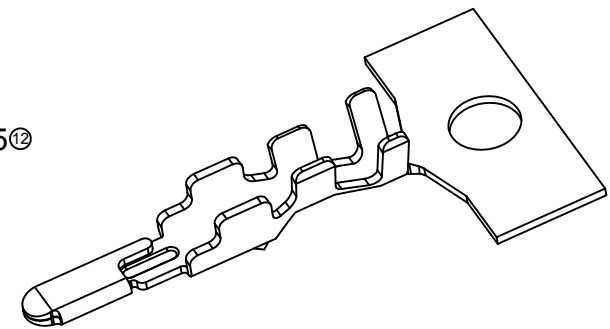


■ Specifications :


- Voltage rating: 125V AC / DC
- Current rating: 2A AC / DC
- Withstanding voltage: 500V AC/minute
- Temperature range: -25°C~+85°C
- Insulation resistance: ≥1000MΩ
- Contact resistance: ≤20mΩ
- After environmental testing: ≤30mΩ

9515 T M-P SN X - X
 ① ② ③ ④ ⑤ ⑥ ⑦

- ① Series Number
- ② Category: T-terminal
- ③ Shape: M-Male
- ④ Material: P-Phosphor bronze
- ⑤ Plating style: SN-Bright tin plating
- ⑥ Plating method: Blank-Stamping before plating
- ⑦ Mold No./Mark/Special No. :



9515TM-PSN	Phosphor Bronze	AWG#24-28	1.40mm(Max)	Stamping Before Plating:30u" MIN. Ni; 70u" MIN.Sn	9515HF
PART NO	Material	Wire Range	Insulation O.D.	Finish	Used In SWB Housing

DATE	OLD REV	NEW REV	ECN	DESCRIPTION	CHECK	APPROVAL	PROJECT
2014/11/25	C	D		Space of a Whole page Changes	Wuxiaotao	Jova	
2013/08/23	B	C		Modify drawing frame format	Jova		

GENERAL TOLERANCE	
.X	±0.30
.XX	±0.20
.XXX	±0.10

SWB 思索连接器有限公司
 TERMINAL&CONNECTORS SWB CONNECTORS CO.,LTD

APPROVAL	CHECK	DRAWN	DATA
Success	Sun Kaibao	Jova	2007/05/03

PART NO.		9515TM-PSN	
TITLE			
2.00mm Crimp Style Connectors			
UNIT	SCALE	NUMBER	REV
MM	1:1	A-013	D