

Recommended FPC  
General Tolerance±0.05

■ Specifications :



- Voltage rating: 50V AC / DC
- Current rating: 1A AC / DC
- Withstanding voltage: 250V AC/minute
- Temperature range: -25°C~+85°C
- Insulation resistance: ≥100MΩ
- Contact resistance: ≤30mΩ
- After environmental testing: ≤50mΩ

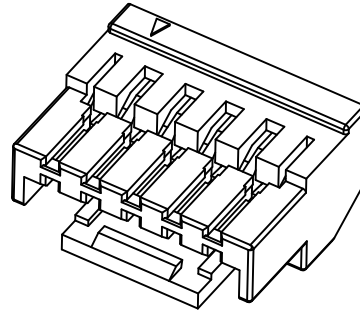
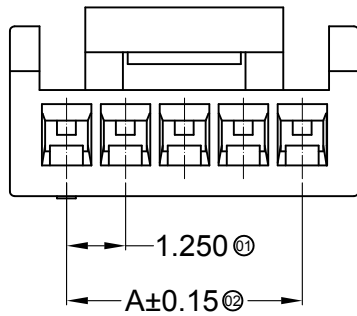
1251 H X-06 F-N0 XX

(1) (2) (3) (4) (5) (6) (7)

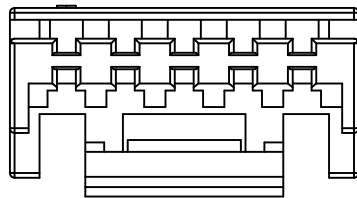
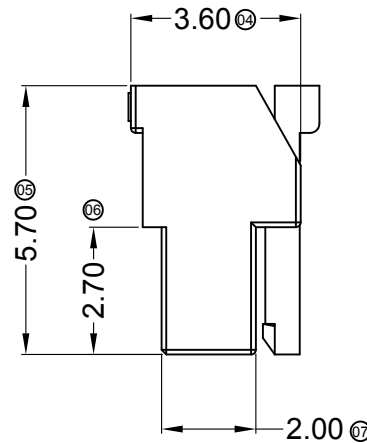
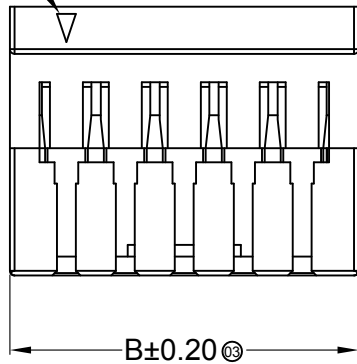
- (1) Series No.
- (2) Category: H-HSG
- (3) Welding Board Angle: Blank-ordinary
- (4) Row No.-Pin No.: 06-06P
- (5) Plug the Pin & special No.:  
F-Housing for FFC
- (6) Material: N0-PA66 94V-0
- (7) Color: Blank-Natural Color

1251H-06F-N0	PA66 UL 94V-0	FFC
PART NO	Material	Suitable SWB FFC

								<b>GENERAL TOLERANCE</b> .X ±0.30 .XX ±0.20 .XXX ±0.10		 <b>思索连接器有限公司</b> <b>SWB CONNECTORS CO.,LTD</b>				<b>PART NO.</b> 1251H-06F-N0			
								<b>APPROVAL</b> Bob Sun <b>CHECK</b> Jova Lau <b>DRAWN</b> Sylvia <b>DATA</b> 2014/04/24		<b>TITLE</b> 1.25mm HSG For FFC Connectors							
<b>DATE</b>	<b>OLD REV</b>	<b>NEW REV</b>	<b>ECN</b>	<b>DESCRIPTION</b>	<b>CHECK</b>	<b>APPROVAL</b>	<b>PROJECT</b>	<b>UNIT</b>	<b>SCALE</b>	<b>NUMBER</b>	<b>REV</b>						
								MM	1:1	A-022	A						



Circuit 1



■ Specifications :


- Voltage rating: 50V AC / DC
- Current rating: 1A AC / DC
- Withstanding voltage: 500V AC/minute
- Temperature range: -25°C~+85°C
- Insulation resistance: ≥100MΩ
- Contact resistance: ≤30mΩ
- After environmental testing: ≤50mΩ

1251 H X -XX X -N0 HF  
① ②③ ④ ⑤ ⑥ ⑦

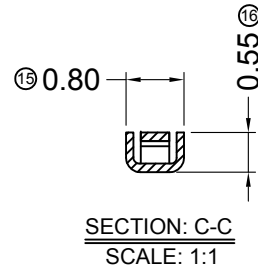
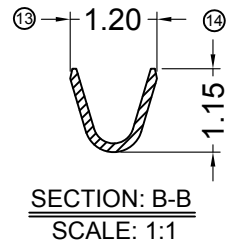
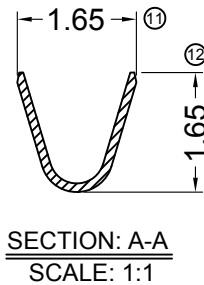
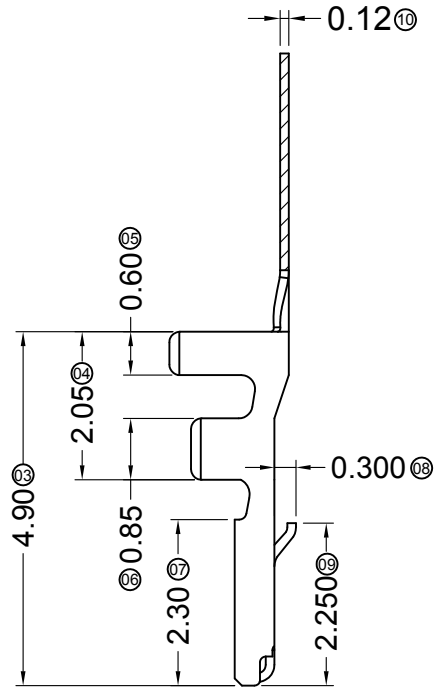
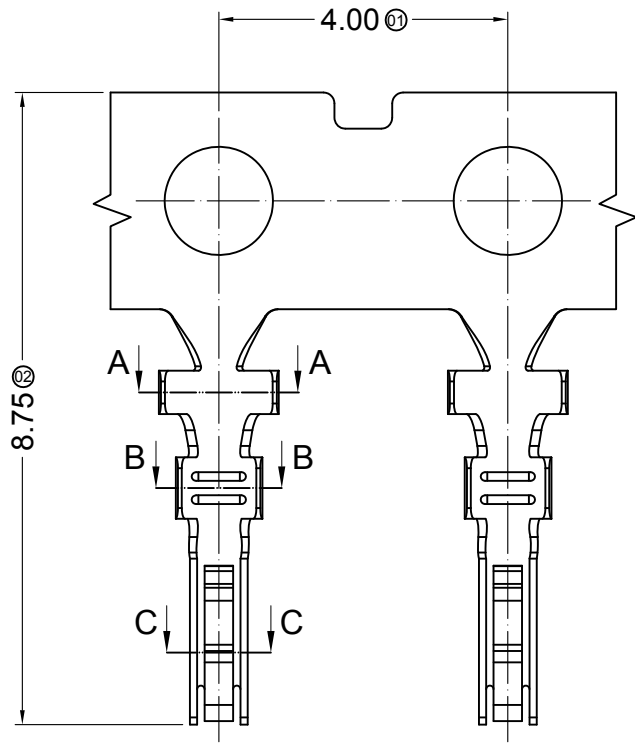
- ① Series No.
- ② Category: H-HSG
- ③ Welding Board Angle: Blank-ordinary
- ④ Row No.-Pin No.: XX-02P~15P
- ⑤ Plug the Pin & Special No.
- ⑥ Material: N0-PA66 94V-0
- ⑦ HF-Halogen free

Poles	Dimensions (mm)		Poles	Dimensions (mm)	
	A	B		A	B
02	1.25	3.60	09	10.00	12.35
03	2.50	4.85	10	11.25	13.60
04	3.75	6.10	11	12.50	14.85
05	5.00	7.35	12	13.75	16.10
06	6.25	8.60	13	15.00	17.35
07	7.50	9.85	14	16.25	18.60
08	8.75	11.10	15	17.50	19.85

1251H-XX-N0HF	PA66 UL 94V-0 Halogen Free	1251T	1251W
1251H-XX-N0	PA66 UL 94V-0		
PART NO	Material	Suitable SWB Terminal	Suitable SWB Wafer

DATE	OLD REV	NEW REV	ECN	DESCRIPTION	CHECK	APPROVAL	PROJECT	APPROVAL	CHECK	DRAWN	DATA	UNIT	SCALE	NUMBER	REV		
2014/05/08	A	B		Space of a Whole page Changes	Jova	Bob	GENERAL TOLERANCE .X ±0.30 .XX ±0.20 .XXX ±0.10	 思索连接器有限公司 SWB CONNECTORS CO.,LTD	APPROVAL	Bob Sun	Jova Lau	Wuxiaotao	2014/05/08	MM	1:1	A-053	B

PART NO. 1251H-XX-N0HF  
TITLE 1.25mm Crimp Style Connectors

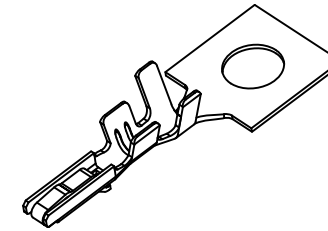


■ Specifications :

- Voltage rating: 50V AC / DC
- Current rating: 1A AC / DC
- Withstanding voltage: 500V AC/minute
- Temperature range: -25°C~+85°C
- Insulation resistance: ≥100MΩ
- Contact resistance: ≤30mΩ
- After environmental testing: ≤50mΩ

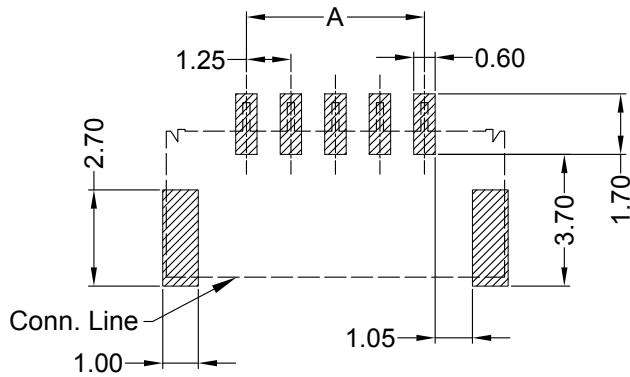
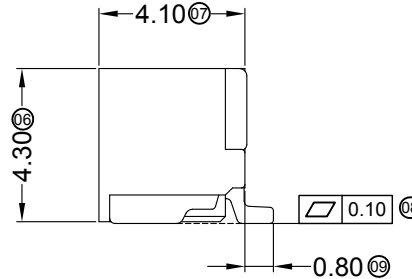
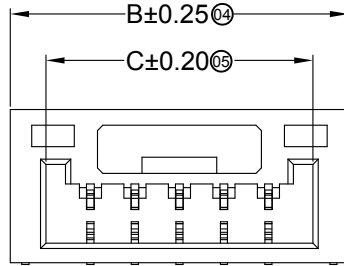
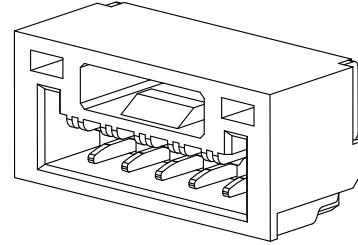
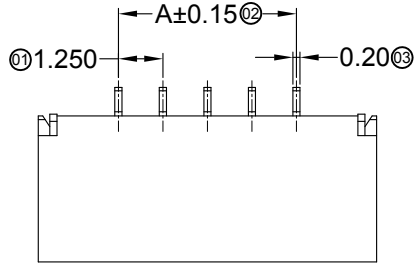
1251 T X-P XX X-X  
① ② ③ ④ ⑤ ⑥ ⑦

- ① Series Number
- ② Category: T-terminal
- ③ Shape: Blank-ordinary
- ④ Material: P-Phosphor bronze
- ⑤ Plating style: V01-Gold Flash ; SN-Bright tin plating
- ⑥ Plating method: Blank-Stamping before plating
- ⑦ Mold No./Mark/Special No.



1251T-PV01	Phosphor Bronze	AWG#26-30	1.00mm(Max)	Stamping Before Pating:30u" Ni MIN.; Whole Gold :Gold Flash	1251H
1251T-PSN	Phosphor Bronze	AWG#26-30	1.00mm(Max)	Stamping Before Plating:30u" MIN. Ni; 70u" MIN.Sn	
PART NO	Material	Wire Range	Insulation O.D.	Finish	Used In SWB Housing

							<b>GENERAL TOLERANCE</b> .X ±0.30 .XX ±0.20 .XXX ±0.10				<b>SWB</b> 思索连接器有限公司 TERMINAL&CONNECTORS SWB CONNECTORS CO.,LTD				<b>PART NO.</b> 1251T-PXX			
							<b>APPROVAL</b> Bob Sun <b>CHECK</b> Jova Lau <b>DRAWN</b> Wuxiaotao <b>DATA</b> 2014/05/08				<b>TITLE</b> 1.25mm Crimp Style Connectors							
2014/05/08	A	B		Modify the drawing frame format	Jova	Bob												
<b>DATE</b>	<b>OLD REV</b>	<b>NEW REV</b>	<b>ECN</b>	<b>DESCRIPTION</b>	<b>CHECK</b>	<b>APPROVAL</b>	<b>PROJECT</b>					<b>UNIT</b>	<b>SCALE</b>	<b>NUMBER</b>	<b>REV</b>			
												MM	1:1	A-053	B			



**Recommended P.C.B Layout**  
General Tolerance±0.05

**Specifications :**

- Voltage rating: 50V AC / DC
- Current rating: 1A AC / DC
- Withstanding voltage: 500V AC/minute
- Temperature range: -25°C~+85°C
- Insulation resistance: ≥100MΩ
- Contact resistance: ≤30mΩ
- After environmental testing: ≤50mΩ

1251 W R S-XX HF-XX SN XX  
①② ③④⑤ ⑥⑦ ⑧⑨

- ① Series No.
- ② Category: W-wafer
- ③ Welding Board Angle: R- Right Angle 90°
- ④ Welding Way: S-SMT
- ⑤ Row No.-Pin No.: XX-02P~15P
- ⑥ Plug the Pin & Special No.: HF-Halogen free
- ⑦ Material: 9T-PA9T 94V-0 ; 46-PA46 94V-0 ; LP-LCP 94V-0
- ⑧ Plating Category: SN-Bright tin plating ; SW-Fog Tin plating
- ⑨ Color: Blank-natural color

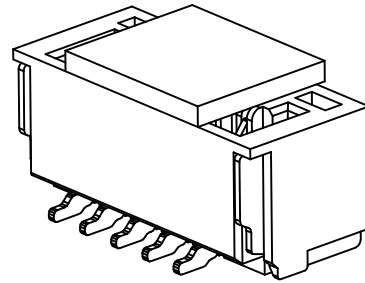
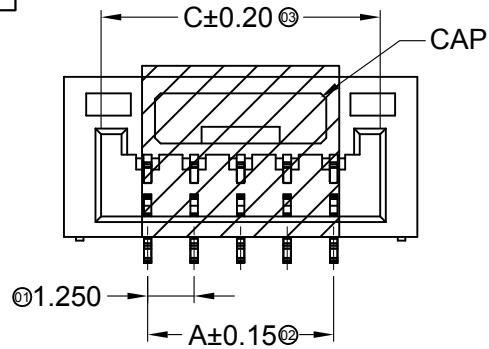
Poles	Dimensions(mm)			Poles	Dimensions(mm)		
	A	B	C		A	B	C
02	1.25	5.75	3.75	09	10.00	14.50	12.50
03	2.50	7.00	5.00	10	11.25	15.75	13.75
04	3.75	8.25	6.25	11	12.50	17.00	15.00
05	5.00	9.50	7.50	12	13.75	18.25	16.25
06	6.25	10.75	8.75	13	15.00	19.50	17.50
07	7.50	12.00	10.00	14	16.25	20.75	18.75
08	8.75	13.25	11.25	15	17.50	22.00	20.00

1251WRS-XX-46SW	PA46 UL 94V-0	Phorphos Bronze	Tin Plating Matte Tin 70u" Min.Over Ni 30u"	1251H
1251WRS-XXHF-LPSW	LCP UL 94V-0 Halogen Free		Tin Plating Matte Tin 70u" Min.Over Ni 30u"	
1251WRS-XX-9TSN	Nylon 9T UL 94V-0		Tin-Plated Bright 70u" Over Ni 30u"	
PART NO	Material	Material (Solder Tabs)	Finish (Solder Tabs)	Mates With SWB Housing

DATE	OLD REV	NEW REV	ECN	DESCRIPTION	CHECK	APPROVAL	PROJECT	APPROVAL	CHECK	DRAWN	DATA	UNIT	SCALE	NUMBER	REV
2014/05/07	A	B		Space of a Whole page Changes	Jova	Bob	SWB 思索连接器有限公司 TERMINAL&CONNECTORS SWB CONNECTORS CO.,LTD	Bob Sun	Jova Lau	Wuxiaotao	2014/05/07	MM	1 : 1	A-010	B

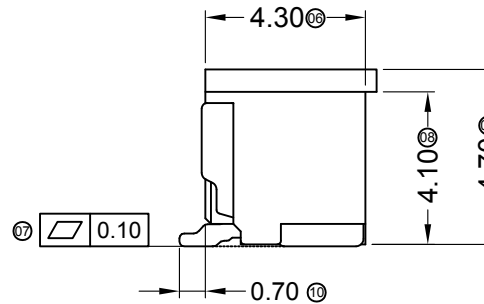
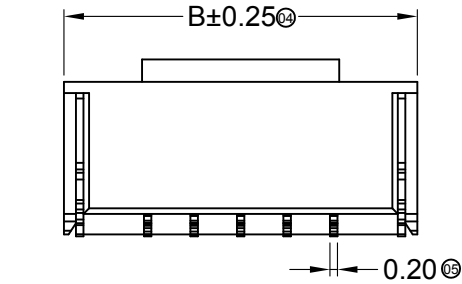
**SWB** 思索连接器有限公司  
TERMINAL&CONNECTORS SWB CONNECTORS CO.,LTD

**PART NO.** 1251WRS-XXHF-XXXX  
**TITLE** 1.25mm Crimp Style Connectors



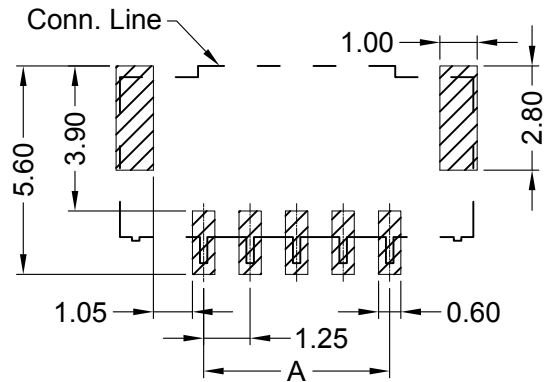
■ Specifications :

- Voltage rating: 50V AC / DC
- Current rating: 1A AC / DC
- Withstanding voltage: 500V AC/minute
- Temperature range: -25°C~+85°C
- Insulation resistance: ≥100MΩ
- Contact resistance: ≤30mΩ
- After environmental testing: ≤50mΩ



1251 W V S-XX HF-XX SN XX  
 ① ② ③ ④ ⑤ ⑥ ⑦ ⑧ ⑨


- ① Series No.
- ② Category: W-wafer
- ③ Welding Board Angle: V- Stright 180°
- ④ Welding Way: S-SMT
- ⑤ Row No.-Pin No.: XX-02P~15P
- ⑥ Plug the Pin & Special No.: HF-Halogen free
- ⑦ Material: 9T-PA9T 94V-0 ; LP-LCP 94V-0
- ⑧ Planting Category:  
SN-Bright tin plating ; SW-Matte Tin plating
- ⑨ Color: Blank-Natural color



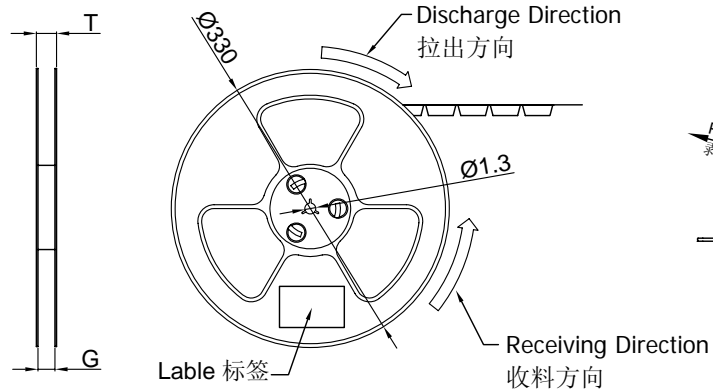
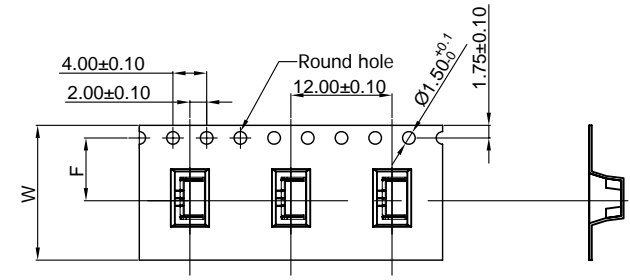
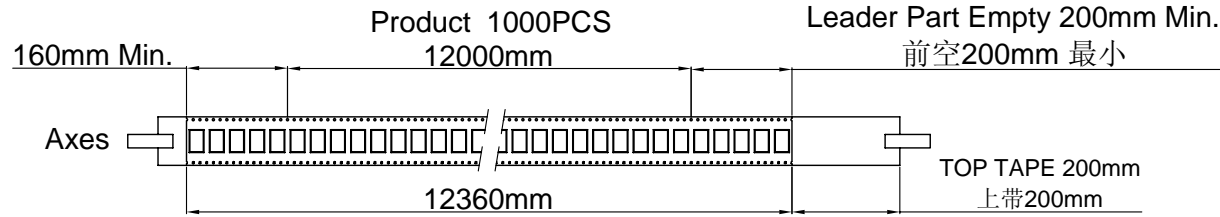
Recommended P.C.B Layout  
 General Tolerance±0.05

Poles	Dimensions(mm)			Poles	Dimensions(mm)		
	A	B	C		A	B	C
02	1.25	5.75	3.75	09	10.00	14.50	12.50
03	2.50	7.00	5.00	10	11.25	15.75	13.75
04	3.75	8.25	6.25	11	12.50	17.00	15.00
05	5.00	9.50	7.50	12	13.75	18.25	16.25
06	6.25	10.75	8.75	13	15.00	19.50	17.50
07	7.50	12.00	10.00	14	16.25	20.75	18.75
08	8.75	13.25	11.25	15	17.50	22.00	20.00

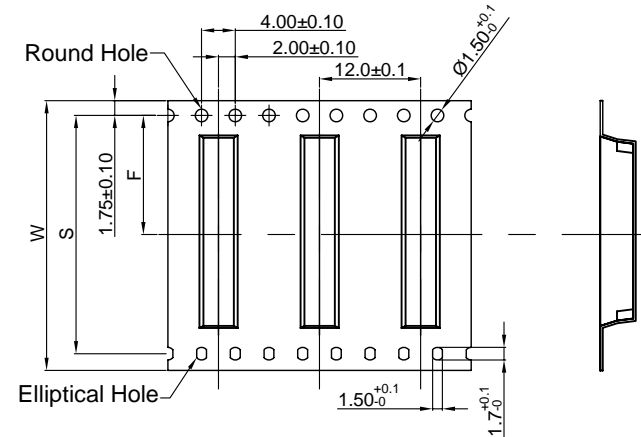
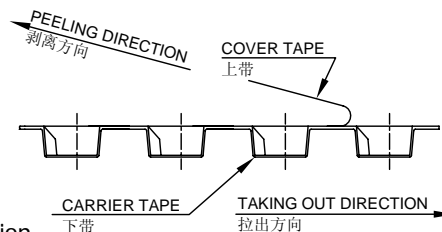
1251WVS-XXHF-LPSW	LCP UL 94V-0 Halogen Free	Phorphos Bronze	Tin Plating Matte Tin 70u" Min. Over Ni 30u"	1251H
1251WVS-XX-9TSN	PA9T UL 94V-0		Tin-Plated Bright 70u" Over Ni 30u"	
PART NO	Material	Material(Pin)	Finish(Pin)	Mates With SWB Housing

DATE	OLD REV	NEW REV	ECN	DESCRIPTION	CHECK	APPROVAL	PROJECT	APPROVAL	CHECK	DRAWN	DATA	UNIT	SCALE	NUMBER	REV	
2014/05/07	B	C		Space of a Whole page Changes	Jova		GENERAL TOLERANCE .X ±0.30 .XX ±0.20 .XXX ±0.10	 思索连接器有限公司 SWB CONNECTORS CO.,LTD	PART NO. 1251WVS-XXHF-XXXX				MM	1:1	A-010	C
2014/03/26	A	B		Modify the drawing frame format	sylvia				APPROVAL	CHECK	DRAWN	DATA				
							Bob Sun	Jova Lau	Wuxiaotao	2014/05/07						

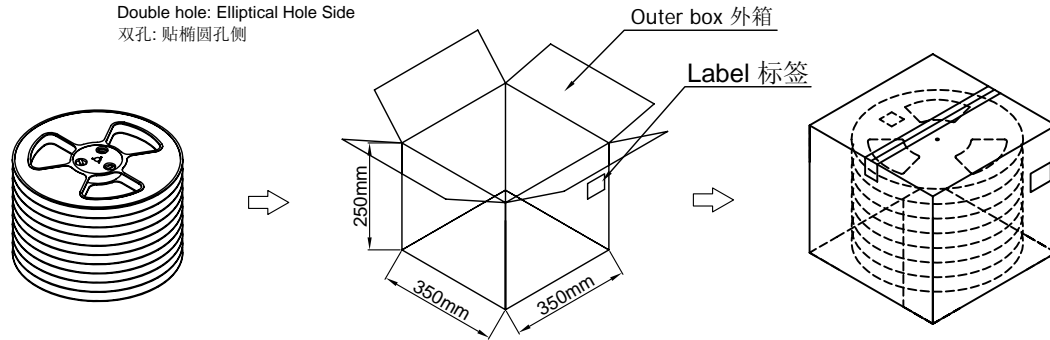
RoHS Lead-free



COVER TAPE PEEL STRENGTH:20-120g  
上带剥离力量: 20-120g  
速度 PEEL SPEED:300mm/minute



Single hole: None Hole Side  
单孔: 贴无键孔侧  
Double hole: Elliptical Hole Side  
双孔: 贴椭圆孔侧



**Note:**

- Carrier Camber Is Within 1mm In 100mm ; 带长100mm内容许弯曲度1mm
- 10 Sprocket Hole Pitch Cumulative Tolerance±0.2MM ; 圆孔十个孔距离累计允许公差为±0.2mm
- Materiaal for PS ; 材质为PS材质
- Thinkess=0.40±0.05 ; 材料厚度为0.40±0.05mm

	Pin No.	W	S	F	T	G	REEL /PCS	CARTON /R	CARTON /PCS
ZD1251WRS-XX 1251WRS-XX-XXXX	ZD1251WRS-02	16	/	7.50	20.50	16.40	1000	11R	11000
	ZD1251WRS-03								
	ZD1251WRS-04								
	ZD1251WRS-05	24	/	11.50	28.50	24.40	1000	8R	8000
	ZD1251WRS-06								
	ZD1251WRS-07								
	ZD1251WRS-08								
	ZD1251WRS-09								
	ZD1251WRS-10	32	28.40	14.20	36.50	32.40	1000	6R	6000
	ZD1251WRS-11								
	ZD1251WRS-12								
	ZD1251WRS-13	44	40.40	20.20	48.50	44.40	1000	5R	5000
	ZD1251WRS-14								
	ZD1251WRS-15								

GENERAL TOLERANCE  
.X ±0.30  
.XX ±0.20  
.XXX ±0.10

**SWB** 思索连接器有限公司  
TERMINAL & CONNECTORS SWB CONNECTORS CO.,LTD

PART NO.: PPN: 1251WRS-XX-XXXX  
CPN: ZD1251WRS-XX

TITLE: 1.25mm SMT 90° Package

DATE OLD REV NEW REV ECN DESCRIPTION CHECK APPROVAL

PROJECT

APPROVAL CHECK DRAWN DATA

Allen Pan 2013/12/09

UNIT SCALE NUMBER REV  
MM 1:1 A-106 A

