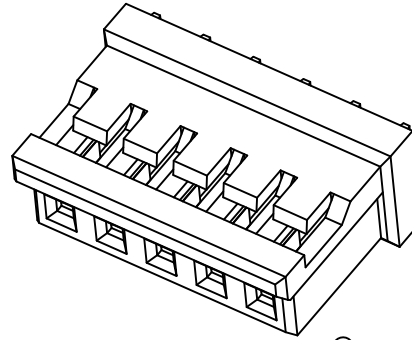
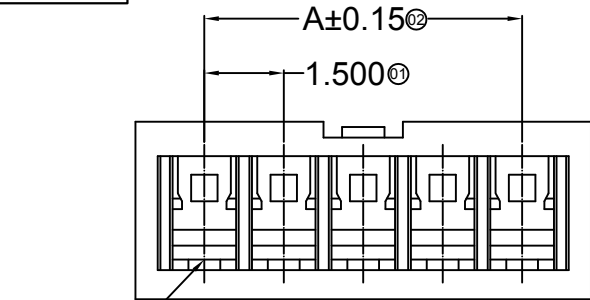


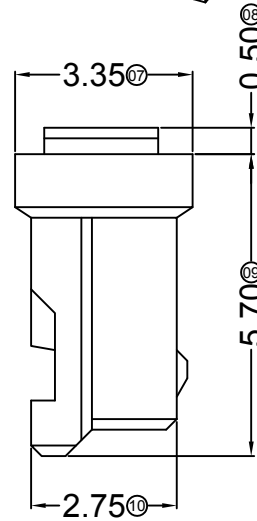
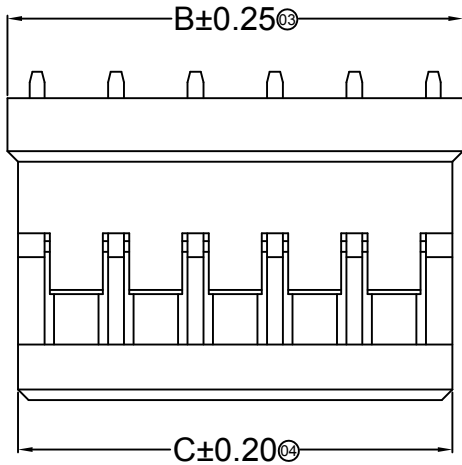
RoHS  Lead-free



■ Specifications :

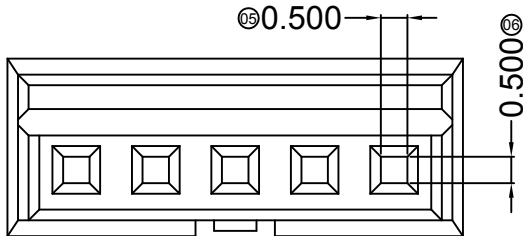
- Voltage rating: 350V AC / DC
- Current rating: 3A AC / DC
- Withstanding voltage: 500V AC/minute
- Temperature range: -55°C~+105°C
- Insulation resistance: ≥1000MΩ
- Contact resistance: ≤20mΩ
- After environmental testing: ≤40mΩ

Circuit 1



1511 H X-XX X-N0 HF  
① ② ③ ④ ⑤ ⑥ ⑦

- ① Series No.
- ② Category: H-HSG
- ③ Welding Board Angle: Blank-ordinary
- ④ Row No.-Pin No.: XX-02P~15P
- ⑤ Plug the Pin & special No.:
- ⑥ Material: N0-PA66 94V-0
- ⑦ HF-Halogen Free



Poles	Dimensions (mm)			Poles	Dimensions (mm)		
	A	B	C		A	B	C
02	1.50	4.10	3.70	09	12.00	14.60	14.20
03	3.00	5.60	5.20	10	13.50	16.10	15.70
04	4.50	7.10	6.70	11	15.00	17.60	17.20
05	6.00	8.60	8.20	12	16.50	19.10	18.70
06	7.50	10.10	9.70	13	18.00	20.60	20.20
07	9.00	11.60	11.20	14	19.50	22.10	21.70
08	10.50	13.10	12.70	15	21.00	23.60	23.20

1511H-XX-N0HF	Nylon 66 UL 94V-0 Halogen Free	1511T	1511W
1511H-XX-N0	Nylon 66 UL 94V-0		
PART NO	Material	Suitable SWB Terminal	Mates With SWB Wafer

GENERAL TOLERANCE

.X ±0.30  
.XX ±0.20  
.XXX ±0.10



思索连接器有限公司  
SWB CONNECTORS CO.,LTD

PART NO. 1511H-XX-N0XX

TITLE 1.50mm Crimp Style Connectors

2014/05/29	C	D	Space of a Whole page Changes	Jova	Bob	PROJECT
DATE	OLD REV	NEW REV		ECN	DESCRIPTION	CHECK

APPROVAL	CHECK	DRAWN	DATA
Bob Sun	Jova Lau	Wuxiaotao	2014/05/29

UNIT	SCALE	NUMBER	REV
MM	1:1	A-089	D

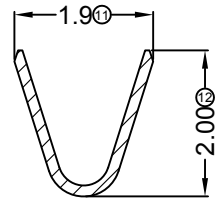
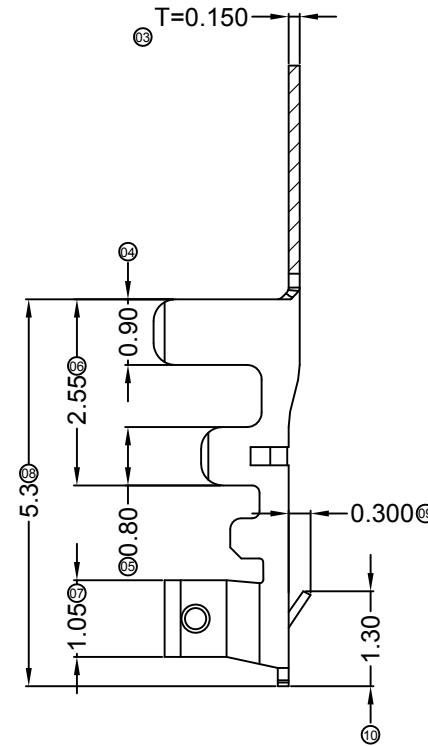
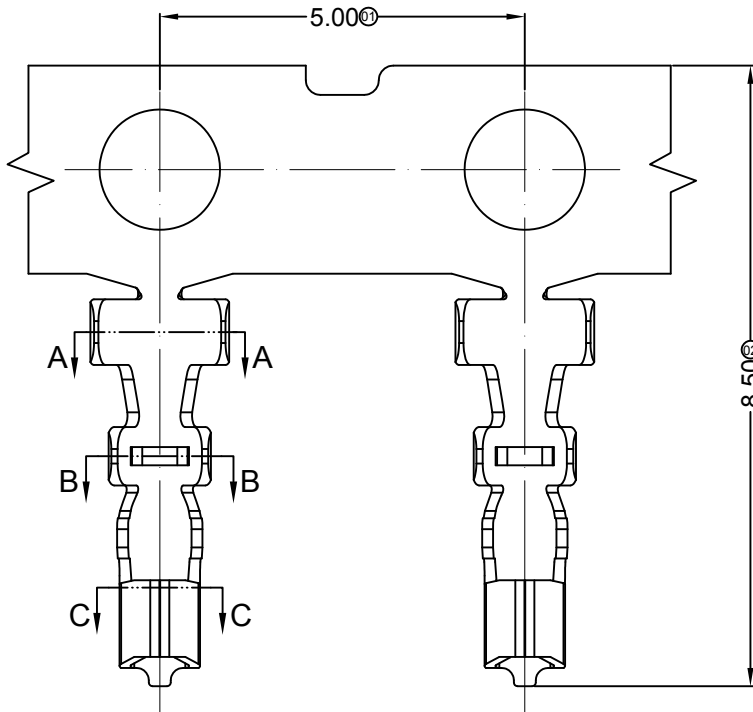
RoHS  Lead-free

■ Specifications :

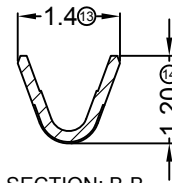
- Voltage rating: 350V AC / DC
- Current rating: 3A AC / DC
- Withstanding voltage: 500V AC/minute
- Temperature range: -55°C~+105°C
- Insulation resistance: ≥1000MΩ
- Contact resistance: ≤20mΩ
- After environmental testing: ≤40mΩ

1511 T X-P SN X - X  
① ② ③ ④ ⑤ ⑥ ⑦

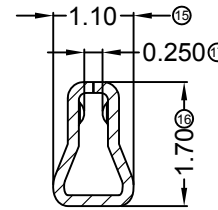
- ① Series Number
- ② Category: T-terminal
- ③ Shape: Blank-ordinary
- ④ Material: P-Phosphor bronze
- ⑤ Plating style: SN-Bright tin plating
- ⑥ Plating method: Blank-Stamping before plating  
B-Plating before stamping
- ⑦ Mold No./Mark/Special No.



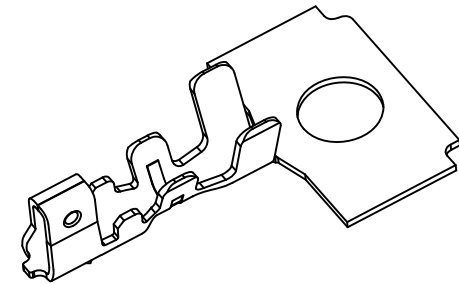
SECTION: A-A  
SCALE: 1:1




SECTION: B-B  
SCALE: 1:1



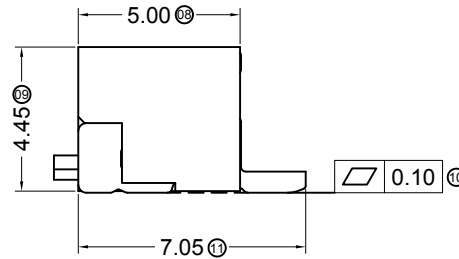
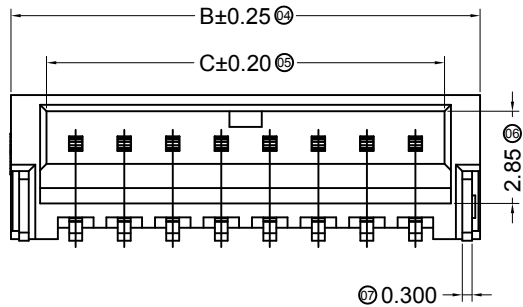
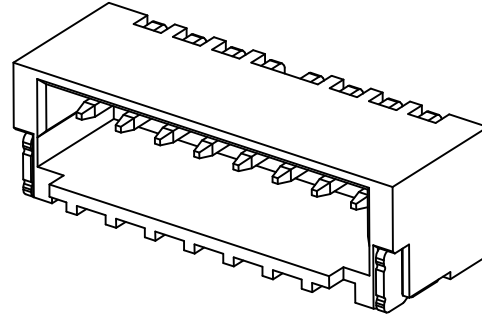
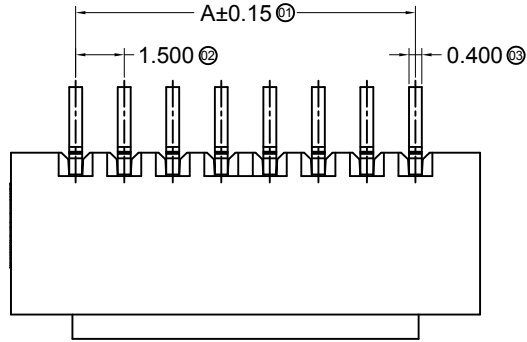
SECTION: C-C  
SCALE: 1:1



1511T-PSNB	Phosphor Bronze		1.10mm(Max)	Plating Before Stamping:10u" MIN. Ni ; 40u"Sn	1511H
1511T-PSN	Phosphor Bronze	AWG#24-30		Stamping Before plating:30u" MIN. Ni; 70u"Sn	
PART NO	Material	Wire Range	Insulation O.D.	Finish	Used In SWB Housing

							<b>GENERAL TOLERANCE</b> .X ±0.30 .XX ±0.20 .XXX ±0.10				 <b>思索连接器有限公司</b> <b>SWB CONNECTORS CO.,LTD</b>				<b>PART NO.</b> 1511T-PSN			
							<b>APPROVAL</b> Bob Sun <b>CHECK</b> Jova Lau <b>DRAWN</b> Wuxiaotao <b>DATA</b> 2014/06/11				<b>TITLE</b> 1.50mm Crimp Style Connectors							
2014/06/11	C	D		Modify the drawing frame format	Jova	Bob	UNIT	SCALE	NUMBER	REV								
<b>DATE</b>	<b>OLD REV</b>	<b>NEW REV</b>	<b>ECN</b>	<b>DESCRIPTION</b>	<b>CHECK</b>	<b>APPROVAL</b>	MM	1:1	A-089	D								

RoHS  Lead-free



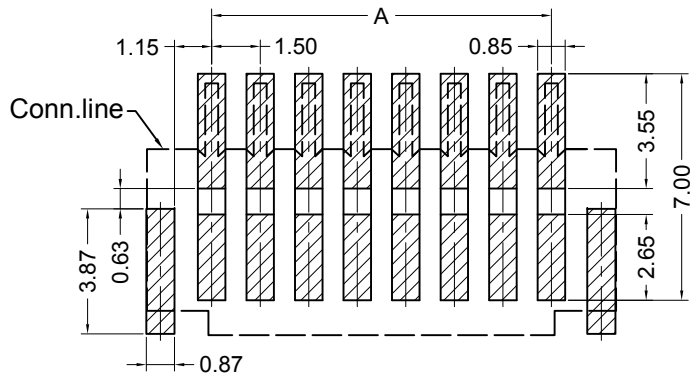
**Specifications :**

- Voltage rating: 350V AC / DC
- Current rating: 3A AC / DC
- Withstanding voltage: 500V AC/minute
- Temperature range: -55°C~+105°C
- Insulation resistance: ≥1000MΩ
- Contact resistance: ≤20mΩ
- After environmental testing: ≤40mΩ

1511 W R S-XX HF A -1T SW XX

① ② ③ ④ ⑤ ⑥ ⑦ ⑧ ⑨ ⑩

- ① Series No.
- ② Category: W-WAFER
- ③ Welding Board Angle: R-Right Angle 90°
- ④ Welding Way: S-SMT
- ⑤ Row No.-Pin No.: XX-Single Row
- ⑥ Plug the Pin & Special No.: HF-Halogen Free
- ⑦ A-With Ground Lug
- ⑧ Material: 1T -PA10T 94V-0
- ⑨ Plating Category: SW- Matte Tin Plating
- ⑩ Color : Blank-Natural Color



Recommended P.C.B Layout  
General Tolerance±0.05

Poles	Dimensions (mm)			Poles	Dimensions (mm)		
	A	B	C		A	B	C
02	1.50	5.50	3.30	09	12.00	16.00	13.80
03	3.00	7.00	4.80	10	13.50	17.50	15.30
04	4.50	8.50	6.30	11	15.00	19.00	16.80
05	6.00	10.00	7.80	12	16.50	20.50	18.30
06	7.50	11.50	9.30	13	18.00	22.00	19.80
07	9.00	13.00	10.80	14	19.50	23.50	21.30
08	10.50	14.50	12.30	15	21.00	25.00	22.80

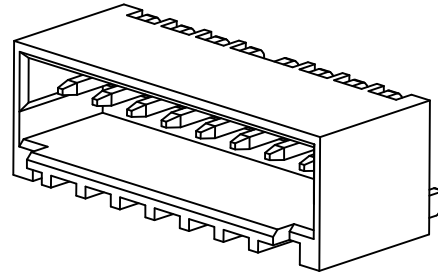
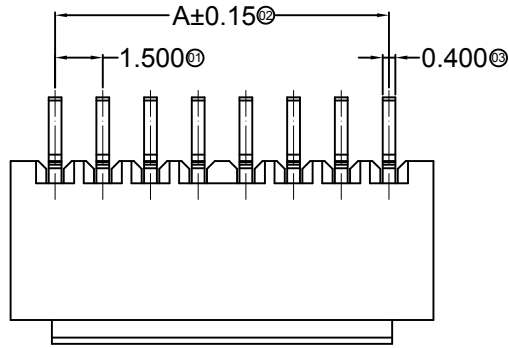
1511WRS-XXHFA-1TSW	PA10T UL 94V-0	Brass	Tin Plating Matte	1511H
PART NO	Material	Material(Pin)	Finish(Pin)	Mates With SWB Housing

DATE	OLD REV	NEW REV	ECN	DESCRIPTION	CHECK	APPROVAL	PROJECT	APPROVAL	CHECK	DRAWN	DATA	UNIT	SCALE	NUMBER	REV
14/04/24	A	B		Change "C "Dim	Jova Lau	Bob Sun	SWB CONNECTORS	Jova Lau	Wuxiaotao	Sylvia	2014/04/08	MM	1 : 1	A-106	B

**SWB** 思索连接器有限公司  
SWB CONNECTORS CO.,LTD

PART NO. 1511WRS-XXHFA-1TSW

TITLE 1.50mm Crimp Style Connectors

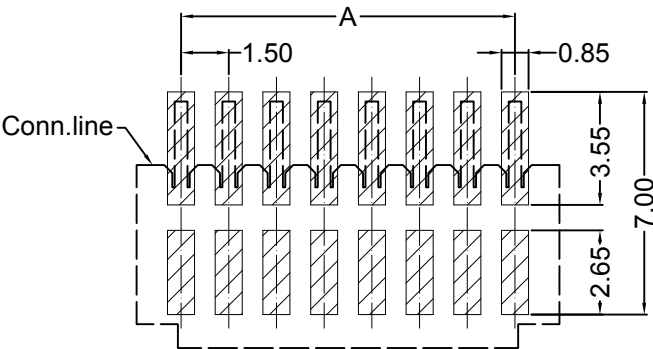
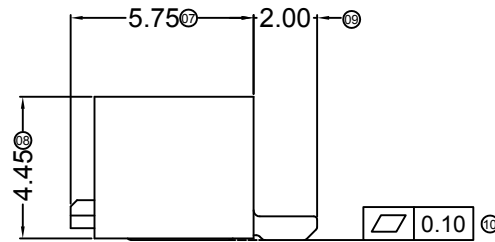


■ Specifications :

- Voltage rating: 350V AC / DC
- Current rating: 3A AC / DC
- Withstanding voltage: 500V AC/minute
- Temperature range: -55°C~+105°C
- Insulation resistance: ≥1000MΩ
- Contact resistance: ≤20mΩ
- After environmental testing: ≤40mΩ

1511 W R S-XX HF-LP SW XX  
 ① ②③④⑤ ⑥ ⑦ ⑧ ⑨


- ① Series No.
- ② Category: W-wafer
- ③ Welding Board Angle: R- Right Angle 90°
- ④ Welding Way: S-SMT
- ⑤ Row No.-Pin No.: XX-02P~15P
- ⑥ Plug the Pin & Special No.: HF-Halogen Free
- ⑦ Material: LP -LCP 94V-0
- ⑧ Planting Category: SW- Matte Tin Plating
- ⑨ Color: Blank-Natural Color

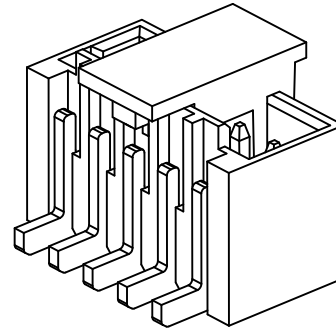
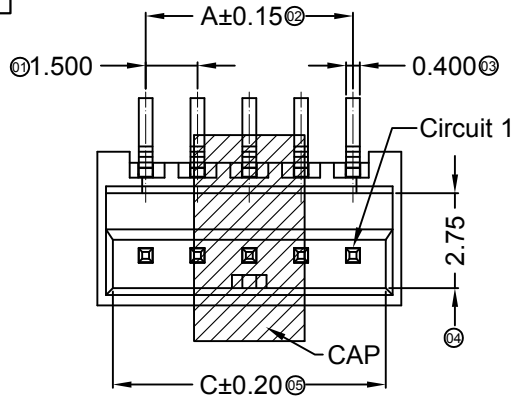


Recommended P.C.B Layout  
 General Tolerance±0.05

Poles	Dimensions (mm)			Poles	Dimensions (mm)		
	A	B	C		A	B	C
02	1.50	4.30	3.40	09	12.00	14.80	13.90
03	3.00	5.80	4.90	10	13.50	16.30	15.40
04	4.50	7.30	6.40	11	15.00	17.80	16.90
05	6.00	8.80	7.90	12	16.50	19.30	18.40
06	7.50	10.30	9.40	13	18.00	20.80	19.90
07	9.00	11.80	10.90	14	19.50	22.30	21.40
08	10.50	13.30	12.40	15	21.00	23.80	22.90

1511WRS-XXHF-LPSW	LCP UL 94V-0 Halogen Free	Brass	Matte Tin Plating	1511H
1511WRS-XX-LPSW	LCP UL 94V-0			
PART NO	Material	Material(Pin)	Finish(Pin)	Mates With SWB Housing

							GENERAL TOLERANCE		 <b>思索连接器有限公司</b> <b>SWB CONNECTORS CO.,LTD</b>				PART NO. 1511WRS-XXHF-LPSW			
							.X ±0.30	.XX ±0.20					TITLE 1.50mm Crimp Style Connectors			
2014/05/30	C	D	Space of a Whole page Changes			Jova	Bob	APPROVAL	CHECK	DRAWN	DATA	UNIT	SCALE	NUMBER	REV	
DATE	OLD REV	NEW REV	ECN	DESCRIPTION	CHECK	APPROVAL	PROJECT	Bob Sun	Jova Lau	Wuxiaotao	2014/05/30	MM	1 : 1	A-106	D	

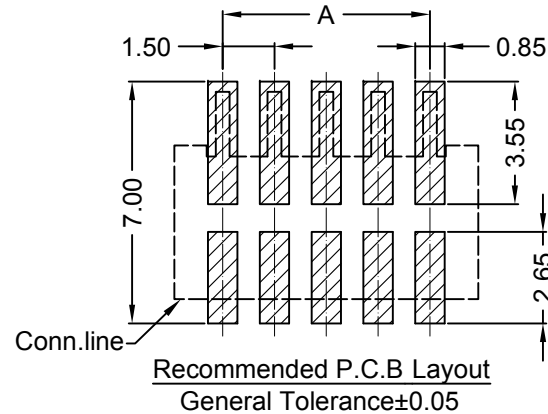
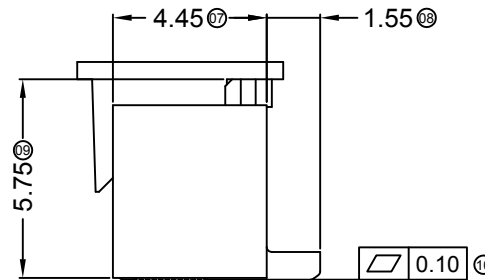
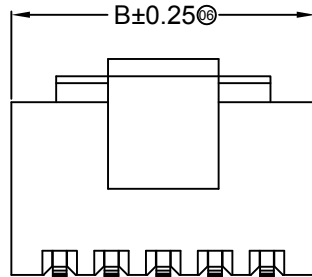


**Specifications :**

- Voltage rating: 350V AC / DC
- Current rating: 3A AC / DC
- Withstanding voltage: 500V AC/minute
- Temperature range: -55°C~+105°C
- Insulation resistance: ≥1000MΩ
- Contact resistance: ≤20mΩ
- After environmental testing: ≤40mΩ

1511 W V S-XX HF-LP SW XX  
 ① ② ③ ④ ⑤ ⑥ ⑦ ⑧ ⑨

- ① Series No.
- ② Category: W-wafer
- ③ Welding Board Angle: V- Straight 180°
- ④ Welding Way: S-SMT
- ⑤ Row No.-Pin No.: XX-02P~15P
- ⑥ Plug the Pin & Special No.: HF-Halogen Free
- ⑦ Material: LP -LCP 94V-0
- ⑧ Planting Category: SW- Matte Tin Plating
- ⑨ Color: Blank-Natural Color

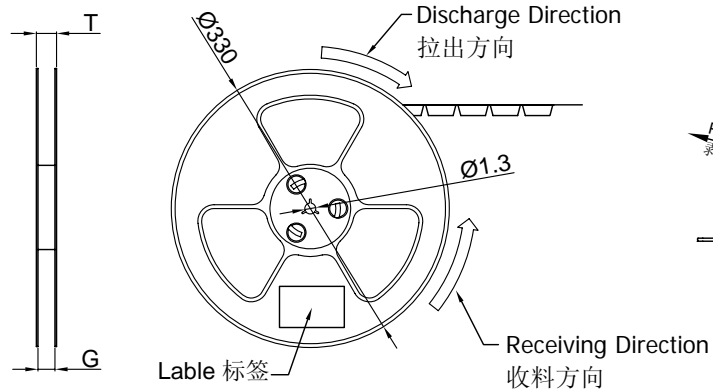
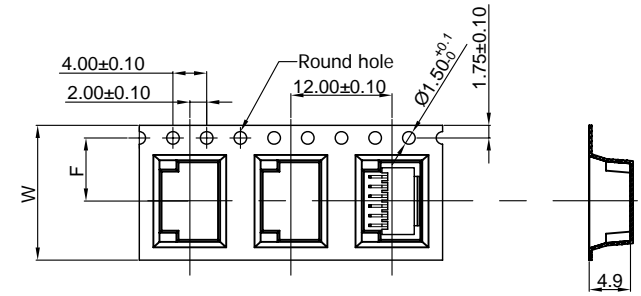
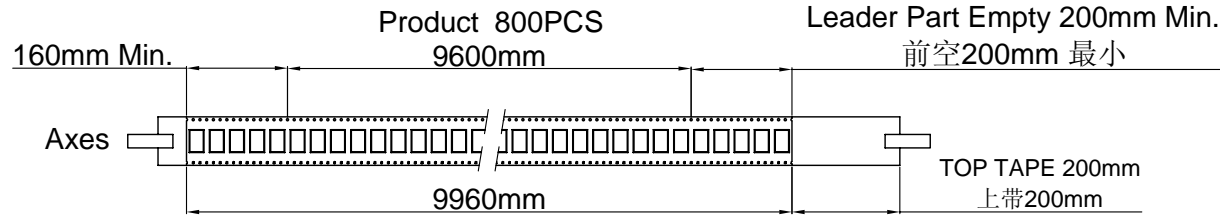


Poles	Dimensions (mm)			Poles	Dimensions (mm)		
	A	B	C		A	B	C
02	1.50	4.30	3.40	09	12.00	14.80	13.90
03	3.00	5.80	4.90	10	13.50	16.30	15.40
04	4.50	7.30	6.40	11	15.00	17.80	16.90
05	6.00	8.80	7.90	12	16.50	19.30	18.40
06	7.50	10.30	9.40	13	18.00	20.80	19.90
07	9.00	11.80	10.90	14	19.50	22.30	21.40
08	10.50	13.30	12.40	15	21.00	23.80	22.90

1511WVS-XXHF-LPSW	LCP UL 94V-0 Halogen Free	Brass	Matte Tin Plating	1511H
1511WVS-XX-LPSW	LCP UL 94V-0			
PART NO	Material	Material(Pin)	Finish(Pin)	Mates With SWB Housing

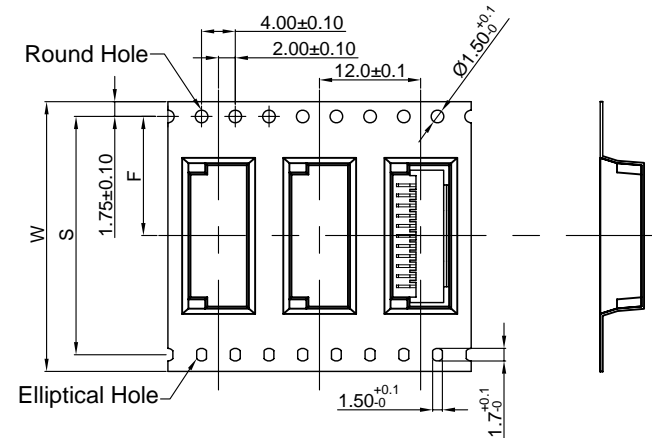
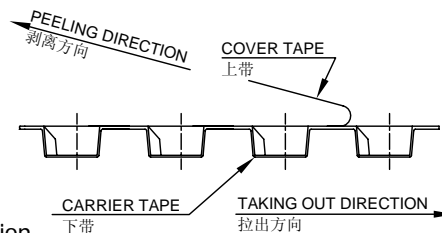
							GENERAL TOLERANCE	<b>SWB</b> 思索连接器有限公司 TERMINAL & CONNECTORS SWB CONNECTORS CO.,LTD				PART NO. 1511WVS-XXHF-LPSW			
							.X ±0.30	APPROVAL	CHECK	DRAWN	DATA	TITLE 1.50mm Crimp Style Connectors			
							.XX ±0.20	Bob Sun	Jova Lau	Wuxiaotao	2014/05/30	UNIT	SCALE	NUMBER	REV
							.XXX ±0.10					MM	1 : 1	A-106	E
2014/05/30	D	E	Space of a Whole page Changes		Jova	Bob									
DATE	OLD REV	NEW REV	ECN	DESCRIPTION	CHECK	APPROVAL	PROJECT								

RoHS Lead-free



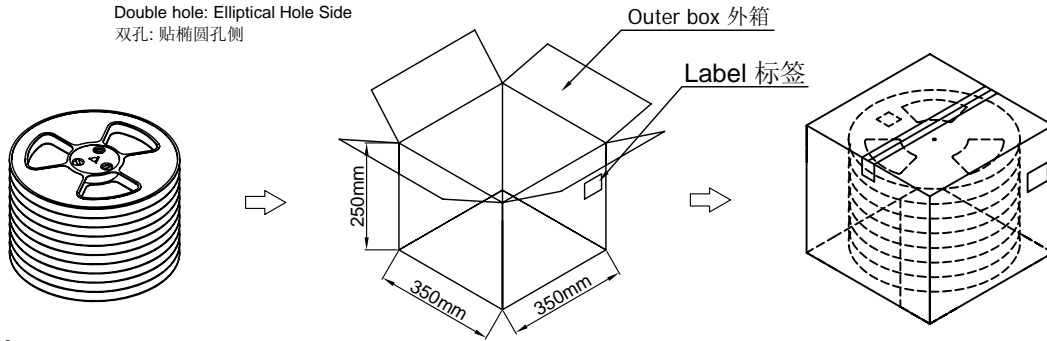
COVER TAPE PEEL STRENGTH:20~120g  
上带剥离力量: 20~120g

速度 PEEL SPEED:300mm/minute



Single hole: None Hole Side  
单孔: 贴无链孔侧

Double hole: Elliptical Hole Side  
双孔: 贴椭圆孔侧



**Note:**

- Carrier Camber Is Within 1mm In 100mm ; 带长100mm内容许弯曲度1mm
- 10 Sprocket Hole Pitch Cumulative Tolerance±0.2MM ; 圆孔十个孔距离累计允许公差为±0.2mm
- Materiaal for PS ; 材质为PS材质
- Thinkess=0.40±0.05 ; 材料厚度为0.40±0.05mm

	Pin No.	W	S	F	T	G	REEL /PCS	CARTON /R	CARTON /PCS
ZD1511WRS-XX 1511WRS-XX-LPSW	ZD1511WRS-02	16	/	7.50	20.50	16.40	800	11R	8800
	ZD1511WRS-03								
	ZD1511WRS-04								
	ZD1511WRS-05	24	/	11.50	28.50	24.40	800	8R	6400
	ZD1511WRS-06								
	ZD1511WRS-07								
	ZD1511WRS-08								
	ZD1511WRS-09								
	ZD1511WRS-10								
	ZD1511WRS-11	32	28.40	14.20	36.50	32.40	800	6R	4800
	ZD1511WRS-12								
	ZD1511WRS-13								
	ZD1511WRS-14	44	40.40	20.20	48.50	44.40	800	5R	4000
	ZD1511WRS-15								
	ZD1511WRS-05W1 1511WRS-05-LPSW0	ZD1511WRS-05W1	16	/	7.50	20.50	16.40	800	12R

GENERAL TOLERANCE  
.X ±0.30  
.XX ±0.20  
.XXX ±0.10

**SWB** 思索连接器有限公司  
TERMINAL & CONNECTORS SWB CONNECTORS CO.,LTD

PART NO.: PPN: 1511WRS-XX-LPSW/X  
CPN: ZD1511WRS-XXX

TITLE: 1.50mm SMT 90° Package

DATE OLD REV NEW REV ECN DESCRIPTION CHECK APPROVAL

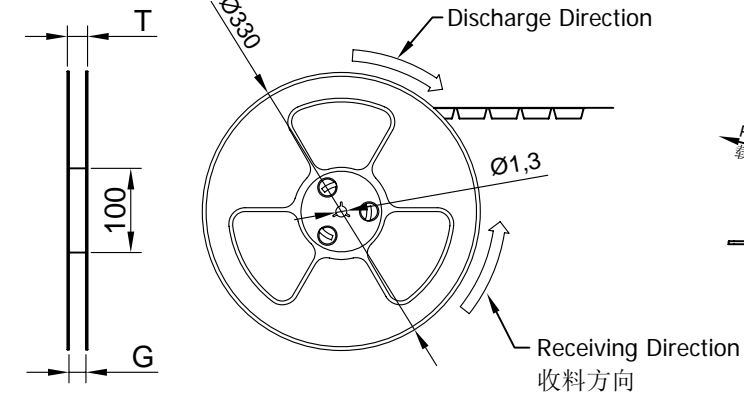
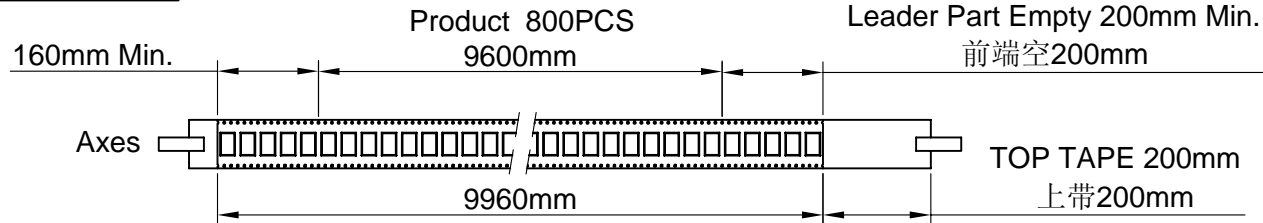
PROJECT

APPROVAL CHECK DRAWN DATA

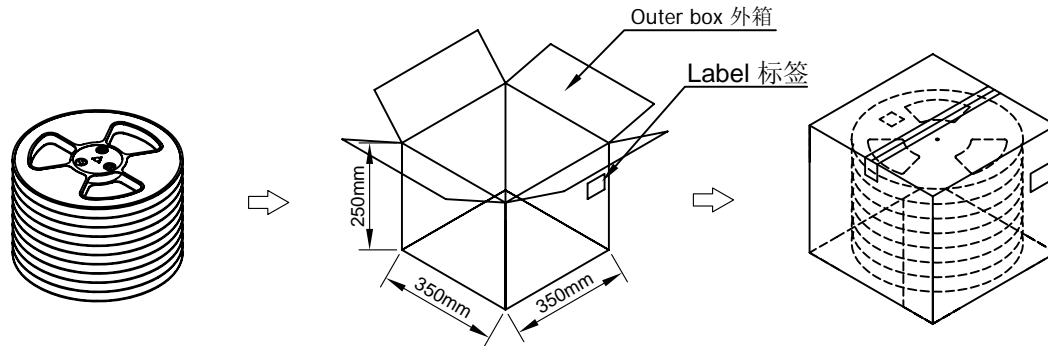
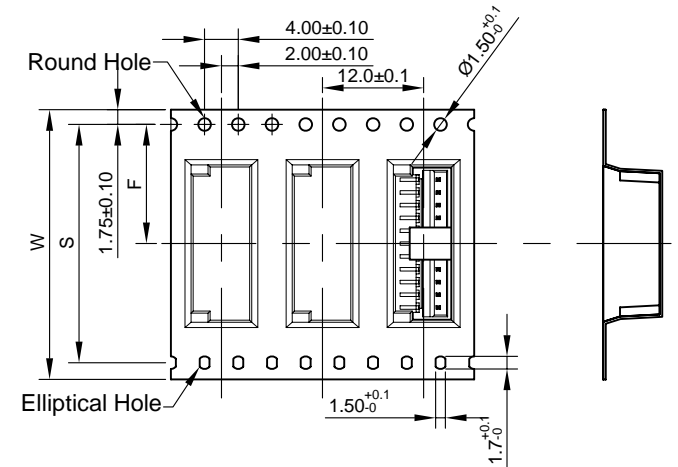
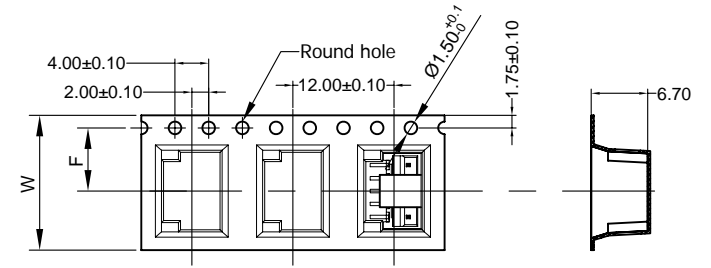
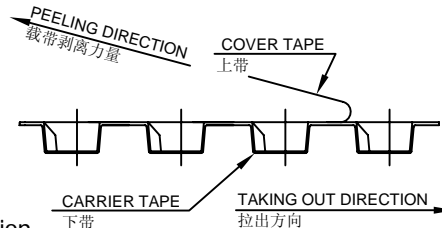
UNIT SCALE NUMBER REV  
MM 1:1 A-106 A

Allen Pan 2013/12/09

RoHS  Lead-free



COVER TAPE PEEL STRENGTH:20-120g  
上带剥离力量: 20-120g  
速度PEEL SPEED:300mm/minute



	Pin No.	W	S	F	T	G	REEL /PCS	CARTON /R	CARTON /PCS
ZD1511WVS-XX 1511WVS-XX-LPSW	ZD1511WVS-02	16	/	7.50	20.50	16.40	800	11R	8800
	ZD1511WVS-03								
	ZD1511WVS-04								
	ZD1511WVS-05	24	/	11.50	28.50	24.40	800	8R	6400
	ZD1511WVS-06								
	ZD1511WVS-07								
	ZD1511WVS-08								
	ZD1511WVS-09	32	28.40	14.20	36.50	32.40	800	6R	4800
	ZD1511WVS-10								
	ZD1511WVS-11								
	ZD1511WVS-12	44	40.40	20.20	48.50	44.40	800	5R	4000
	ZD1511WVS-13								
	ZD1511WVS-14								
	ZD1511WVS-15								

Note:

- Carrier Camber Is Within 1mm In 100mm ; 带长100mm内容许弯曲度1mm
- 10 Sprocket Hole Pitch Cumulative Tolerance±0.2MM ; 圆孔十个孔距离累计允许公差为±0.2mm
- Material for PS ; 材质为PS材质
- Thickness=0.40±0.05 ; 材料厚度为0.40±0.05mm

GENERAL TOLERANCE  
.X ±0.30  
.XX ±0.20  
.XXX ±0.10

**SWB** 思索连接器有限公司  
TERMINAL&CONNECTORS SWB CONNECTORS CO.,LTD

PART NO. PPN: ZD1511WVS-XXX  
CPN:1511WVS-XX-LPSWX

APPROVAL CHECK DRAWN DATA

TITLE 1.50mm SMT 180° Package

DATE OLD REV NEW REV ECN DESCRIPTION CHECK APPROVAL

PROJECT

Allen Pan 2013/12/09

UNIT SCALE NUMBER REV  
MM 1:1 A-106 A