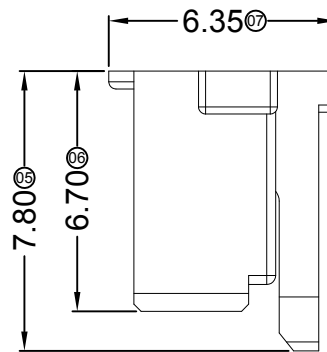
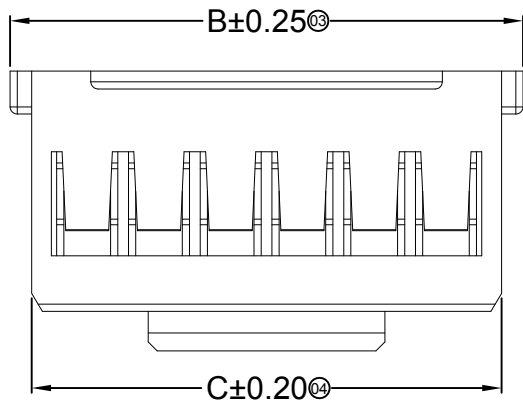


■ Specifications :

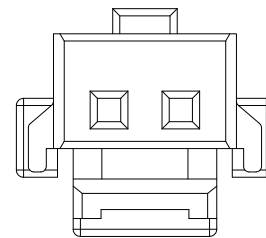
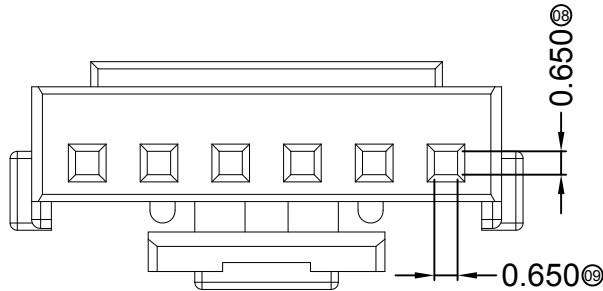
- Voltage rating: 125V AC / DC
- Current rating: 2A AC / DC
- Withstanding voltage: 1000V AC/minute
- Temperature range: -40°C~+105°C
- Insulation resistance: ≥1000MΩ
- Contact resistance: ≤20mΩ
- After environmental testing: ≤30mΩ



3535 H X-XX X-N0 XX

① ② ③ ④ ⑤ ⑥ ⑦

- ① Series No.
- ② Category: H-HSG
- ③ Appearance type: Blank-Ordinary
- ④ Row No.-Pin No.: XX-02P~20P
- ⑤ Plug the Pin & Special No.: Blank-Ordinary
- ⑥ Material : N0-PA66 UL 94V-0
- ⑦ Color : Blank-Natural Color




04P~20P Shape  
Scale 1:1

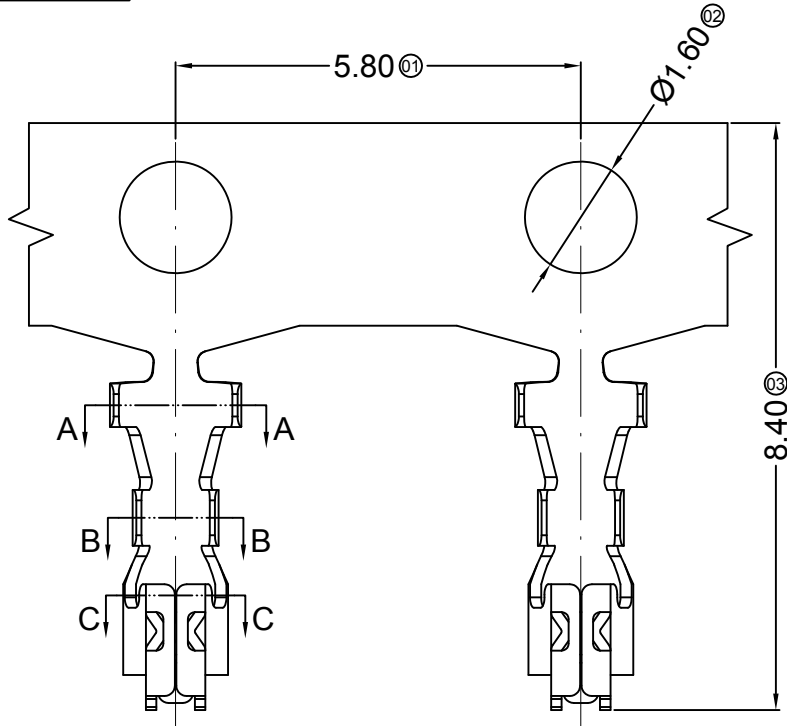
02P~03P Shape  
Scale 1:1

Poles	Dimensions (mm)			Poles	Dimensions (mm)		
	A	B	C		A	B	C
02	2.00	6.30	5.10	12	22.00	26.30	25.10
03	4.00	8.30	7.10	13	24.00	28.30	27.10
04	6.00	10.30	9.10	14	26.00	30.30	29.10
05	8.00	12.30	11.10	15	28.00	32.30	31.10
06	10.00	14.30	13.10	16	30.00	34.30	33.10
07	12.00	16.30	15.10	17	32.00	36.30	35.10
08	14.00	18.30	17.10	18	34.00	38.30	37.10
09	16.00	20.30	19.10	19	36.00	40.30	39.10
10	18.00	22.30	21.10	20	38.00	42.30	41.10
11	20.00	24.30	23.10				

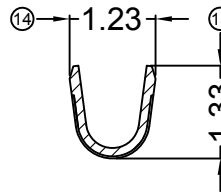
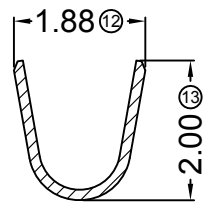
3535H-XX-N0	PA 66 UL 94V-0	3535T	3535W
PART NO	Material	Suitable SWB Terminal	Mates With SWB Wafer

2014/09/25		C	D	Space of a Whole page Changes	W.X.T	Jova	<b>GENERAL TOLERANCE</b> .X ±0.30 .XX ±0.20 .XXX ±0.10	 <b>思索连接器有限公司</b> SWB CONNECTORS CO.,LTD				PART NO. 3535H-XX-N0			
2013/08/23		B	C		Modify drawing frame format	Jova							TITLE 2.00mm Crimp Style Connector		
DATE	OLD REV	NEW REV	ECN	DESCRIPTION	CHECK	APPROVAL	PROJECT	APPROVAL	CHECK	DRAWN	DATA	UNIT	SCALE	NUMBER	REV
							Success	Sun Kaibao	Jova	2012/02/25	MM	1:1	A-093	D	

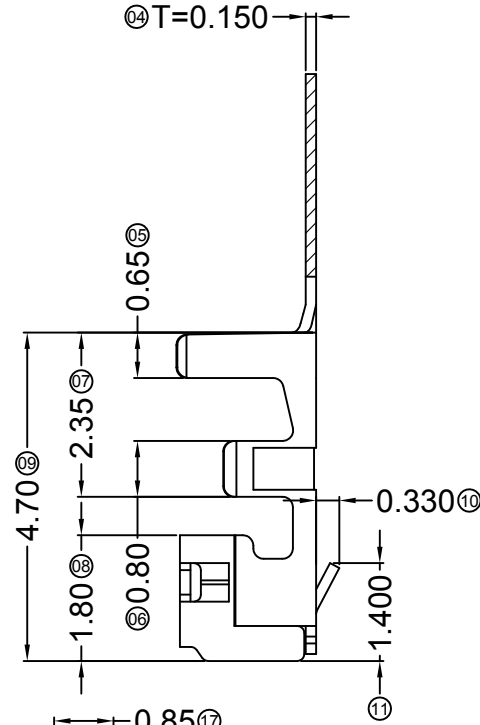
RoHS  Lead-free



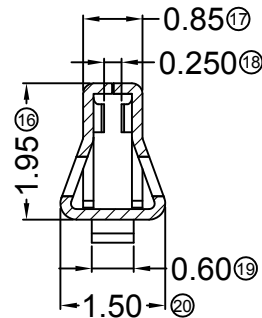
SECTION: A-A  
SCALE: 1:1



SECTION: B-B  
SCALE: 1:1



SECTION: C-C  
SCALE: 1:1

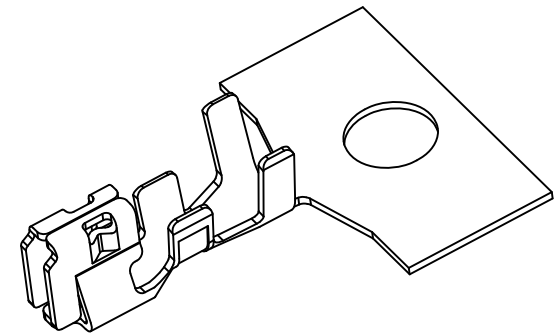


■ Specifications :

- Voltage rating: 125V AC / DC
- Current rating: 2A AC / DC
- Withstanding voltage: 1000V AC/minute
- Temperature range: -40°C~+105°C
- Insulation resistance: ≥1000MΩ
- Contact resistance: ≤20mΩ
- After environmental testing: ≤30mΩ



3535 T X-P SN X - X  
① ② ③ ④ ⑤ ⑥ ⑦


- ① Series Number
- ② Category: T-terminal
- ③ Shape: Blank-ordinary
- ④ Material: P-Phosphor bronze
- ⑤ Plating style: SN-Bright tin plating
- ⑥ Plating method: Blank-Stamping before plating
- ⑦ Mold No./Mark/Special No. :



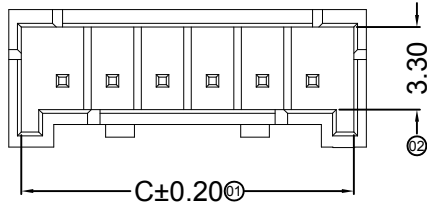
3535T-PSN	Phosphor Bronze	AWG#24-30	1.40mm(Max)	Stamping Before Plating:30u" MIN. Ni; 70u" MIN.Sn	3535H
PART NO	Material	Wire Range	Insulation O.D.	Finish	Used In SWB Housing

DATE	OLD REV	NEW REV	ECN	DESCRIPTION	CHECK	APPROVAL
2014/10/16	B	C		Modify the drawing frame format	W.X.T	Jova
2013/08/25	A	B		Modify drawing frame format	Jova	

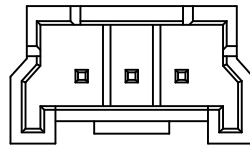
GENERAL TOLERANCE	
.X	±0.30
.XX	±0.20
.XXX	±0.10
PROJECT	
	

 <b>思索连接器有限公司</b> SWB CONNECTORS CO.,LTD			
APPROVAL	CHECK	DRAWN	DATA
Success	Sun Kaibao	Jova	2012/02/25

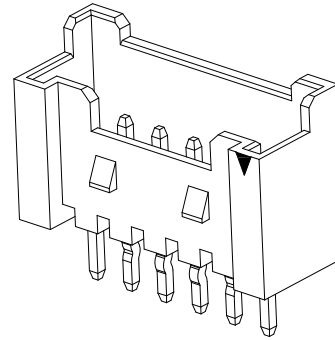
PART NO.		3535T-PSN	
TITLE			
2.00mm Crimp Style Connectors			
UNIT	SCALE	NUMBER	REV
MM	1:1	A-106	C



04P~20P Shape  
Scale 1:1



02P~03P Shape  
Scale 1:1

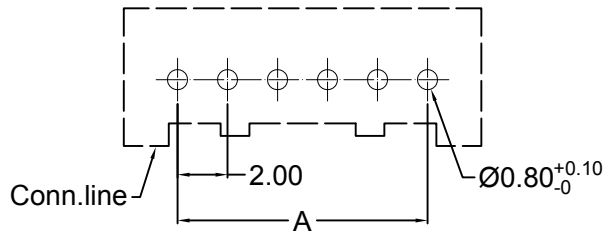
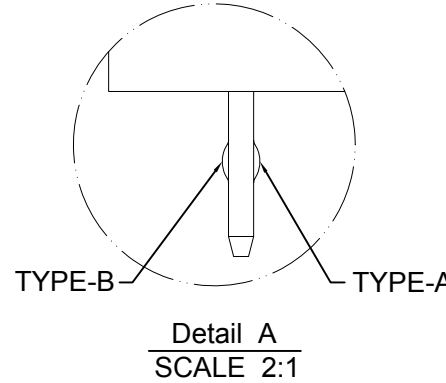
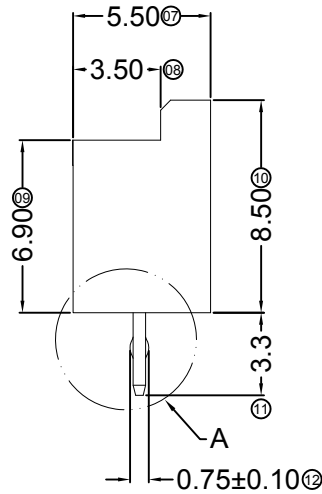
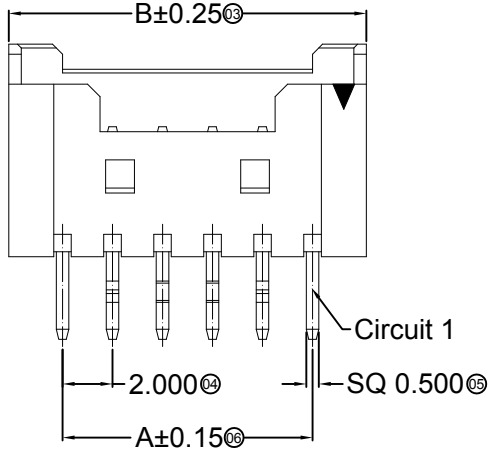


■ Specifications :

- Voltage rating: 125V AC / DC
- Current rating: 2A AC / DC
- Withstanding voltage: 1000V AC/minute
- Temperature range: -40°C~+105°C
- Insulation resistance:  $\geq 1000M\Omega$
- Contact resistance:  $\leq 20m\Omega$
- After environmental testing:  $\leq 30m\Omega$

3535 W V X-XX X-N0 SN XX  
① ② ③ ④ ⑤ ⑥ ⑦ ⑧ ⑨

- ① Series No.
- ② Category: W-WAFER
- ③ Welding Board Angle: V-Straight 180°
- ④ Welding Way: Blank-DIP
- ⑤ Row No.-Pin No.: XX-02P~20P
- ⑥ Plug the Pin & Special No.:
- ⑦ Material: NO -PA66 UL 94V-0
- ⑧ Plating Category: SN-Bright Tin Plating
- ⑨ Color : Blank-Natural Color



Recommended P.C.B Layout  
General Tolerance  $\pm 0.05$

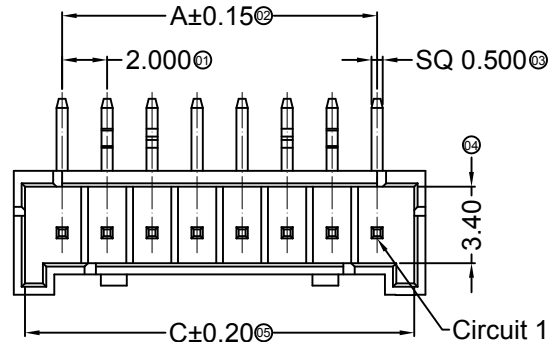
With K to Choose the type(A Or B)

PIN No	1	2	3	4	5	6	N-2	N-1	N
6 PIN Over	-	A	B	-	-	-	B	A	-
6 PIN	-	A	B	B	A	-			
5 PIN	A	B	-	B	A				
4 PIN	A	B	B	A					
3 PIN	A	B	A						
2 PIN	A	B							

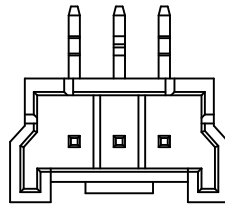
Poles	Dimensions (mm)			Poles	Dimensions (mm)		
	A	B	C		A	B	C
02	2.00	7.70	5.30	12	22.00	26.30	25.30
03	4.00	9.70	7.30	13	24.00	28.30	27.30
04	6.00	10.30	9.30	14	26.00	30.30	29.30
05	8.00	12.30	11.30	15	28.00	32.30	31.30
06	10.00	14.30	13.30	16	30.00	34.30	33.30
07	12.00	16.30	15.30	17	32.00	36.30	35.30
08	14.00	18.30	17.30	18	34.00	38.30	37.30
09	16.00	20.30	19.30	19	36.00	40.30	39.30
10	18.00	22.30	21.30	20	38.00	42.30	41.30
11	20.00	24.30	23.30				

3535WV-XX-N0SN	PA 66 UL 94V-0	Brass	Tin-Plated	3535H
PART NO	Material	Material(Pin)	Finish(Pin)	Mates With SWB Housing

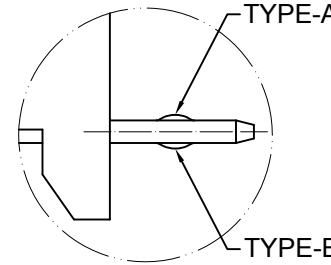
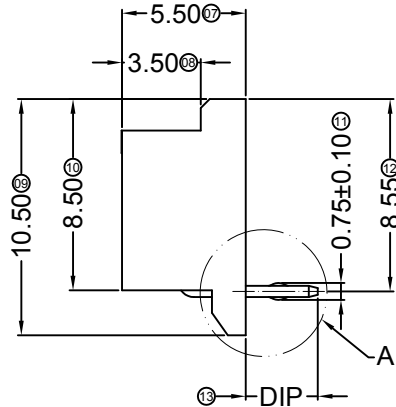
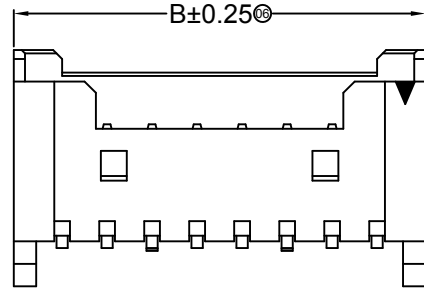
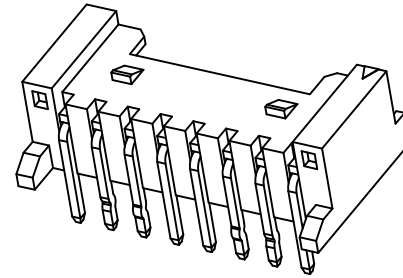
DATE	OLD REV	NEW REV	ECN	DESCRIPTION	CHECK	APPROVAL	PROJECT	APPROVAL	CHECK	DRAWN	DATA	UNIT	SCALE	NUMBER	REV
2014/10/13	C	D		Space of a Whole page Changes	W.X.T	Jova	GENERAL TOLERANCE					MM	1:1	A-093	D
2013/08/24	B	C		Modify drawing frame format	Jova		.X $\pm 0.30$								
							.XX $\pm 0.20$		Success	Sun Kaibao	Jova				
							.XXX $\pm 0.10$				2012/02/25				



04P~20P Shape  
Scale 1:1



02P~03P Shape  
Scale 1:1



Detail A  
SCALE 2:1

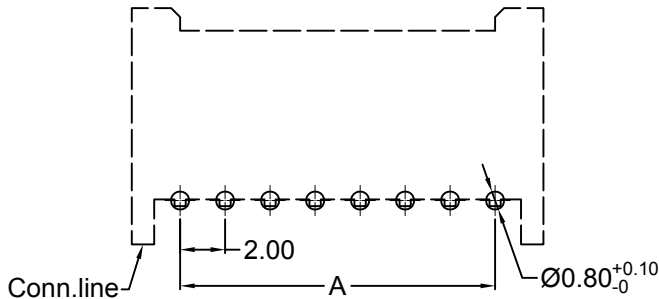
■ Specifications :

- Voltage rating: 125V AC / DC
- Current rating: 2A AC / DC
- Withstanding voltage: 1000V AC/minute
- Temperature range: -40°C~+105°C
- Insulation resistance: ≥1000MΩ
- Contact resistance: ≤20mΩ
- After environmental testing: ≤30mΩ

3535 W R X-XX X-N0 SN XX  
① ② ③ ④ ⑤ ⑥ ⑦ ⑧ ⑨

- ① Series No.
- ② Category: W-WAFER
- ③ Welding Board Angle: R-Right Angle 90°
- ④ Welding Way: Blank-DIP
- ⑤ Row No.-Pin No.: XX-02P~20P
- ⑥ Plug the Pin & Special No.:  
A- DIP=3.20mm ; B-DIP=2.50mm
- ⑦ Material: N0 -PA66 UL 94V-0
- ⑧ Plating Category: SN-Bright Tin Plating
- ⑨ Color : Blank-Natural Color

Poles	Dimensions (mm)			Poles	Dimensions (mm)		
	A	B	C		A	B	C
02	2.00	7.70	5.30	12	22.00	26.30	25.30
03	4.00	9.70	7.30	13	24.00	28.30	27.30
04	6.00	10.30	9.30	14	26.00	30.30	29.30
05	8.00	12.30	11.30	15	28.00	32.30	31.30
06	10.00	14.30	13.30	16	30.00	34.30	33.30
07	12.00	16.30	15.30	17	32.00	36.30	35.30
08	14.00	18.30	17.30	18	34.00	38.30	37.30
09	16.00	20.30	19.30	19	36.00	40.30	39.30
10	18.00	22.30	21.30	20	38.00	42.30	41.30
11	20.00	24.30	23.30				



Recommended P.C.B Layout  
General Tolerance±0.05

With K to Choose the type(A Or B)

PIN No PoLes	TYPE	PIN No								
		1	2	3	4	5	6	N-2	N-1	N
6 PIN Over	-	A	B	-	-	-	-	B	A	-
6 PIN	-	A	B	B	A	-	-	-	-	-
5 PIN	A	B	-	B	A	-	-	-	-	-
4 PIN	A	B	B	A	-	-	-	-	-	-
3 PIN	A	B	A	-	-	-	-	-	-	-
2 PIN	A	B	-	-	-	-	-	-	-	-

DIP=3.20	3535WR-XXA-N0SN	PA 66 UL 94V-0	Brass	Tin-Plated	3535H
DIP=2.50	3535WR-XXB-N0SN				
DIP DIM.	PART NO	Material	Material(Pin)	Finish(Pin)	Mates With SWB Housing

DATE	OLD REV	NEW REV	ECN	DESCRIPTION	CHECK	APPROVAL	PROJECT	APPROVAL	CHECK	DRAWN	DATA	UNIT	SCALE	NUMBER	REV
2014/10/07	D	E		Space of a Whole page Changes	W.X.T	Jova	GENERAL TOLERANCE .X ±0.30 .XX ±0.20 .XXX ±0.10		Success	Sun Kaibao	Jova	MM	1:1	A-093	E
2013/08/25	C	D		Modify drawing frame format	Jova										