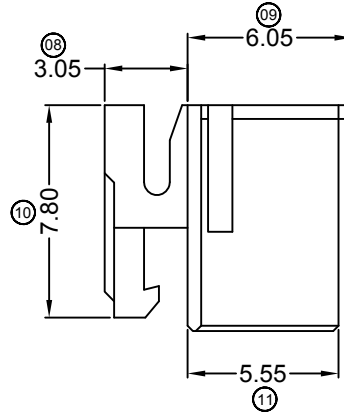
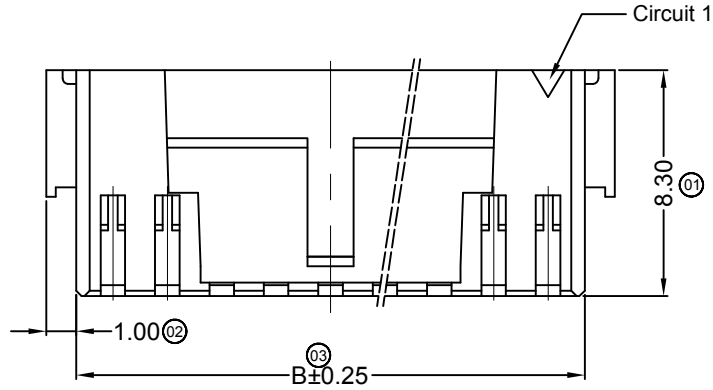
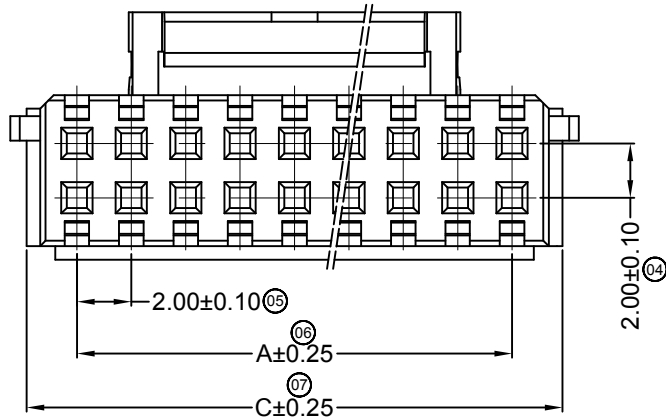


RoHS  Lead-free



■ Specifications :

- Voltage rating: 250V AC / DC
- Current rating: 3A AC / DC
- Withstanding voltage: 1000V AC/minute
- Temperature range: -25°C~+85°C
- Insulation resistance: ≥1000MΩ
- Contact resistance: ≤30mΩ
- After environmental testing: ≤50mΩ




2026 H X-2*XX D-N0 XX

① ② ③ ④ ⑤ ⑥ ⑦

- ① Series No.
- ② Category: H-HSG
- ③ Appearance type: Blank-Ordinary
- ④ Row No.-Pin No.: 2*XX-Double Row
- ⑤ Plug the Pin & Special No.:
D-With Lock in the middle
- ⑥ Material : N0-PA66 94V-0
- ⑦ Color: Blank : Natural Color

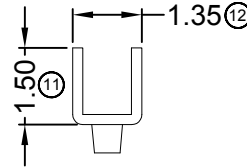
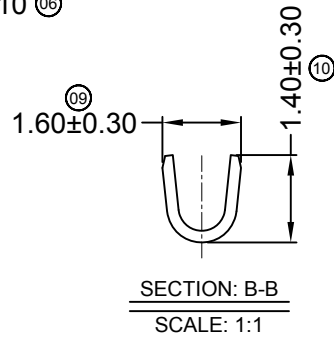
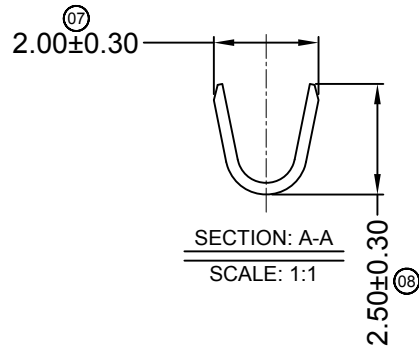
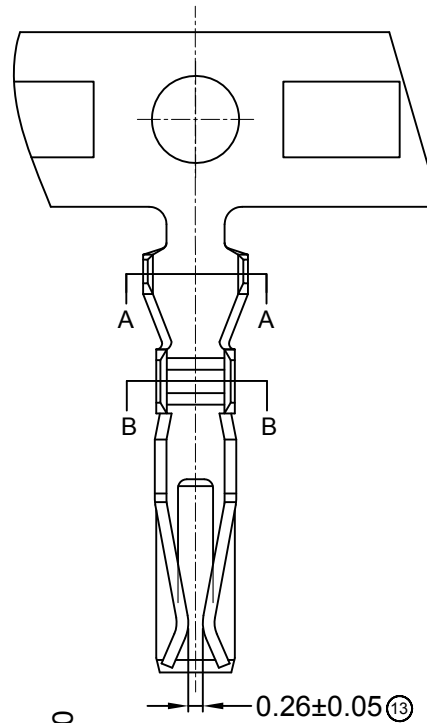
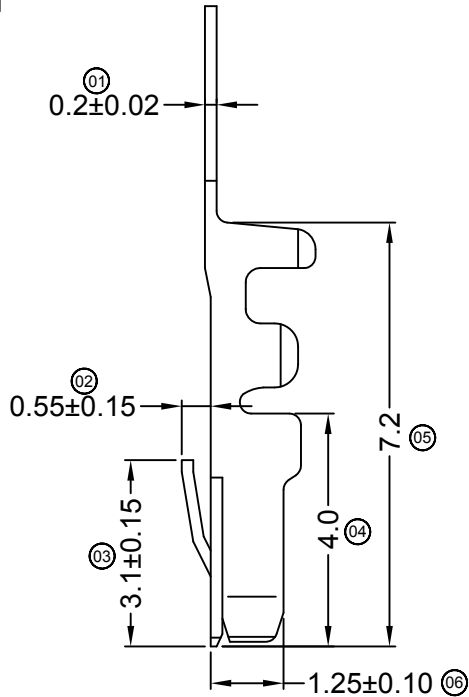
Poles	Dimensions (mm)		
	A	B	C
04	2.00	4.70	5.70
06	4.00	6.70	7.70
08	6.00	8.70	9.70
10	8.00	10.70	11.70
12	10.00	12.70	13.70
14	12.00	14.70	15.70
16	14.00	16.70	17.70
18	16.00	18.70	19.70
20	18.00	20.70	21.70
22	20.00	22.70	23.70
24	22.00	24.70	25.70
26	24.00	26.70	27.70
28	26.00	28.70	29.70
30	28.00	30.70	31.70
32	30.00	32.70	33.70
34	32.00	34.70	35.70
36	34.00	36.70	37.70
38	36.00	38.70	39.70
40	38.00	40.70	41.70

2026H-2*XXD-N0	Nylon 66 UL 94V-0	2026T-A	2026WV-D、2026WR-D、2026WR-DS	1,000Pcs
PART NO	Material	Suitable SWB Terminal	Mates With SWB Wafer	Q'ty/Bag

DATE	OLD REV	NEW REV	ECN	DESCRIPTION	CHECK	APPROVAL	PROJECT	APPROVAL	CHECK	DRAWN	DATA	UNIT MM	SCALE 1:1	NUMBER A-045	REV B
2013/09/22	A	B	ECN2013082501	Modify drawing frame format	Jova		GENERAL TOLERANCE .X ±0.30 .XX ±0.20 .XXX ±0.10	 东莞市思索连接器有限公司 Terminal Connectors DongGuan Siweb Connectors CO.,LTD	APPROVAL	CHECK	DRAWN	DATA			
							PROJECT			Jova	2012/11/22				

PART NO. 2026H-2*XXD-N0

TITLE 2.00 mm Crimp Style Connector



■ Specifications :

- Voltage rating: 250V AC / DC
- Current rating: 3A AC / DC
- Withstanding voltage: 1000V AC/minute
- Temperature range: -25°C~+85°C
- Insulation resistance: ≥1000MΩ
- Contact resistance: ≤30mΩ
- After environmental testing: ≤50mΩ

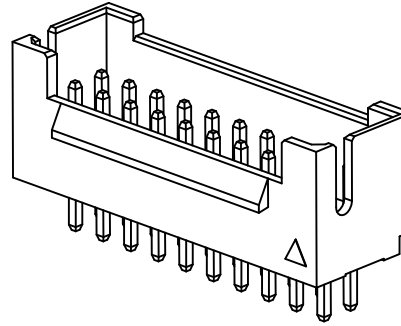
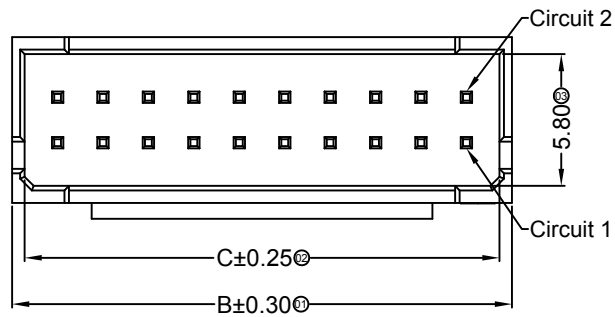
2026 T X-P SN X-D

① ② ③ ④ ⑤ ⑥ ⑦

- ① Series No.
- ② Category: T-Terminal
- ③ Appearance type: Blank-Ordinary
- ④ Material: P-Phosphor bronze
B-Brass
- ⑤ Plating Style: G**-Gold Plated Contact
V**- All Gold-Plated
01-Gold Flash 02-2u" 03-3u"
05-5u" 10-10u" 15-15u"
SN-Bright Tin Plating (70-120u")
SN1-Bright Tin Plating (120u" Min).
0-No Plating Material
SW- Fog Tin Plating
- ⑥ Plating Method : Blank-Stamping before Plating
B-Plating before stamping
- ⑦ Mold No./Mark/Special No.
D-Mating 2026H-2*xxD Series Housing

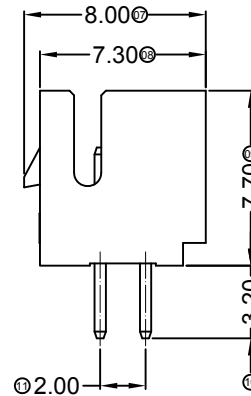
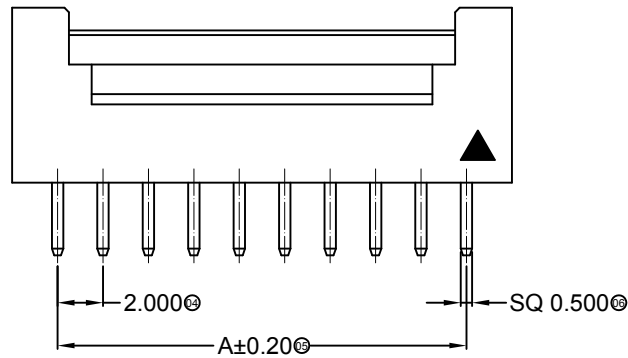
2026T-PSN-D	Phosphor Bronze	AWG#22-28	1.60mm(Max)	Stamping before plating:30~50u" Ni;70~120u"Sn	2026H-D	12,000Pcs
PART NO	Material	Wire Range	Insulation O.D.	Finish	Used In SWB Housing	Q'ty/Reel

							<p>GENERAL TOLERANCE</p> <p>.X ±0.30</p> <p>.XX ±0.20</p> <p>.XXX ±0.10</p>				<p>SWB 东莞市思索连接器有限公司</p> <p>Terminal Connectors DongGuan Siweb Connectors CO.,LTD</p>				<p>PART NO. 2026T-PSN-D</p>							
							<p>APPROVAL</p>				<p>CHECK</p>				<p>DRAWN</p>				<p>DATA</p>			
							<p>PROJECT</p>				<p>Jova</p>				<p>2011/08/01</p>							
							<p>UNIT MM</p>				<p>SCALE 1:1</p>				<p>NUMBER A-041</p>				<p>REV B</p>			
2013/09/23	A	B	ECN2013082501	Modify drawing frame format	Jova																	
DATE	OLD REV	NEW REV	ECN	DESCRIPTION	CHECK	APPROVAL																



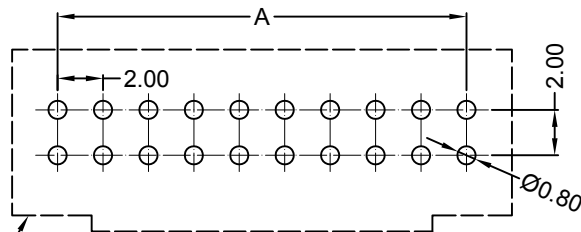
■ Specifications :

- Voltage rating: 250V AC / DC
- Current rating: 3A AC / DC
- Withstanding voltage: 1000V AC/minute
- Temperature range: -25°C~+85°C
- Insulation resistance: ≥1000MΩ
- Contact resistance: ≤30mΩ
- After environmental testing: ≤50mΩ



2026 W V X-2*XX D -46 SN XX
 ① ② ③ ④ ⑤ ⑥ ⑦ ⑧ ⑨


- ① Series No.
- ② Category: W-WAFER
- ③ Welding Board Angle: V-Straight 180°
- ④ Welding Way: Blank-DIP
- ⑤ Row No.-Pin No.: 2*XX-2*04P~2*30P
- ⑥ Plug the Pin & Special No.: D-With Lock in the middle
- ⑦ Material: 46 -PA46 94V-0
- ⑧ Plating Category: SN-Bright Tin Plating
- ⑨ Color : Blank-Natural Color



Recommended P.C.B Layout
 General Tolerance±0.05

Poles	Dimensions (mm)			Poles	Dimensions (mm)			Poles	Dimensions (mm)		
	A	B	C		A	B	C		A	B	C
2*03	4.00	8.00	6.90	2*10	18.00	22.00	20.90	2*17	32.00	36.00	34.90
2*04	6.00	10.00	8.90	2*11	20.00	24.00	22.90	2*18	34.00	38.00	36.90
2*05	8.00	12.00	10.90	2*12	22.00	26.00	24.90	2*19	36.00	40.00	38.90
2*06	10.00	14.00	12.90	2*13	24.00	28.00	26.90	2*20	38.00	42.00	40.90
2*07	12.00	16.00	14.90	2*14	26.00	30.00	28.90	2*30	58.00	62.00	60.90
2*08	14.00	18.00	16.90	2*15	28.00	32.00	30.90				
2*09	16.00	20.00	18.90	2*16	30.00	34.00	32.90				

2026WV-2*XXD-46SN	PA46 94V-0	Brass	Tin-Plated	2026H-D
PART NO	Material	Material(Pin)	Finish(Pin)	Mates With SWB Housing

DATE	OLD REV	NEW REV	ECN	DESCRIPTION	CHECK	APPROVAL	PROJECT	APPROVAL	CHECK	DRAWN	DATA	UNIT	SCALE	NUMBER	REV	
2014/11/21	C	D		Add the 2*03P		sylvia	GENERAL TOLERANCE .X ±0.30 .XX ±0.20 .XXX ±0.10	 思索连接器有限公司 SWB CONNECTORS CO.,LTD	PART NO. 2026WV-2*XXD-46SN				MM	1:1	A-010	D
2014/07/11	B	C		Modify the drawing frame format	Wuxiaotao	Jova	APPROVAL		CHECK	DRAWN	DATA	TITLE 2.00mm Crimp Style Connectors				
							Jova Lau	W.X.T	Wuxiaotao	2014/07/11						