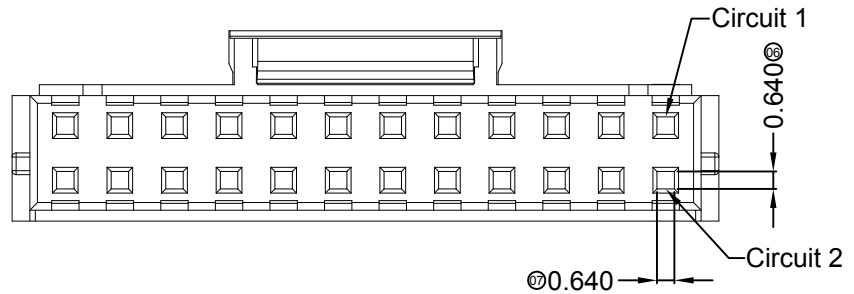
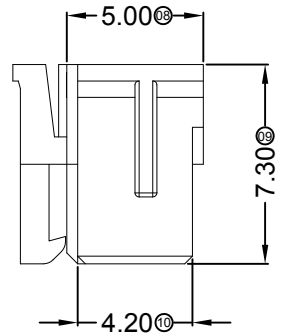
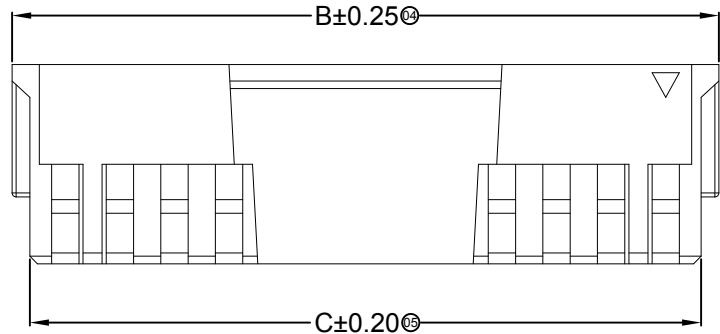
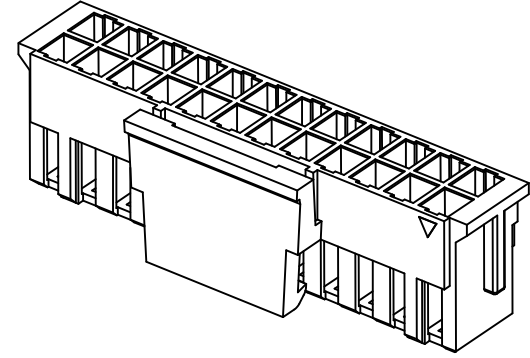
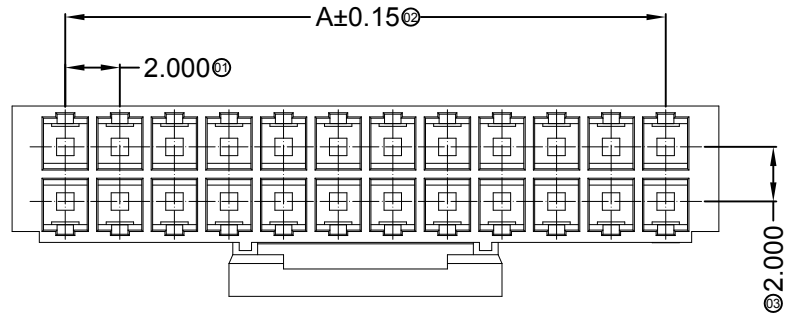


RoHS  Lead-free



Specifications :

- Voltage rating: 250V AC / DC
- Current rating: 3A AC / DC
- Withstanding voltage: 800V AC/minute
- Temperature range: -25°C~+85°C
- Insulation resistance: ≥1000MΩ
- Contact resistance: ≤10mΩ
- After environmental testing: ≤20mΩ

2026 H X-2*XX B-N0 XX

① ②③ ④ ⑤ ⑥ ⑦

- ① Series No.
- ② Category: H-HSG
- ③ Appearance type: Blank-Ordinary
- ④ Row No.-Pin No.: 2*XX-2*02P~2*22P
- ⑤ Plug the Pin & special No.:
B-With Lock in the middle
- ⑥ Material: N0-PA66 94V-0
- ⑦ Color: Blank-Natural Color

Poles	Dimensions (mm)			Poles	Dimensions (mm)		
	A	B	C		A	B	C
2*02	2.00	5.90	4.60	2*13	24.00	27.90	26.60
2*03	4.00	7.90	6.60	2*14	26.00	29.90	28.60
2*04	6.00	9.90	8.60	2*15	28.00	31.90	30.60
2*05	8.00	11.90	10.60	2*16	30.00	33.90	32.60
2*06	10.00	13.90	12.60	2*17	32.00	35.90	34.60
2*07	12.00	15.90	14.60	2*18	34.00	37.90	36.60
2*08	14.00	17.90	16.60	2*19	36.00	39.90	38.60
2*09	16.00	19.90	18.60	2*20	38.00	41.90	40.60
2*10	18.00	21.90	20.60	2*21	40.00	43.90	42.60
2*11	20.00	23.90	22.60	2*22	42.00	45.90	44.60
2*12	22.00	25.90	24.60				

2026H-2*XXB-N0	Nylon 66 UL 94V-0	2026T-A	2026W-B
PART NO	Material	Suitable SWB Terminal	Mates With SWB Wafer

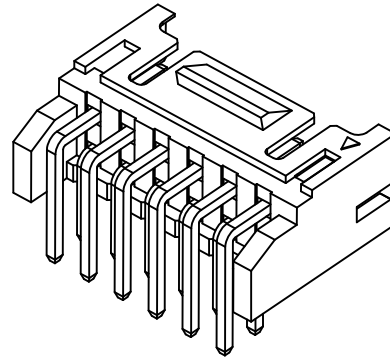
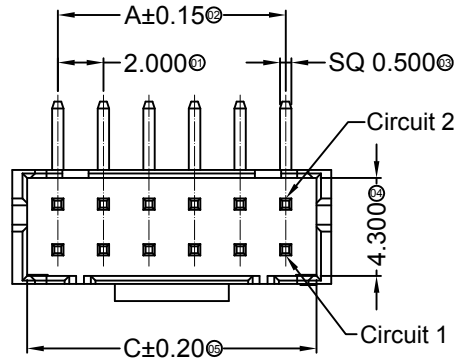
DATE	OLD REV	NEW REV	ECN	DESCRIPTION	CHECK	APPROVAL	PROJECT
2014/06/26	B	C		Space of a Whole page Changes	Wuxiaotao	Jova	
2013/09/23	A	B	ECN2013082501	Modify drawing frame format	Jova	Jova	

GENERAL TOLERANCE	
.X	±0.30
.XX	±0.20
.XXX	±0.10

SWB 思索连接器有限公司
TERMINALS & CONNECTORS SWB CONNECTORS CO.,LTD

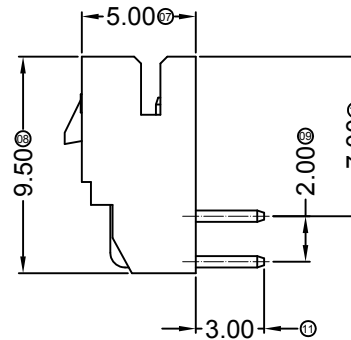
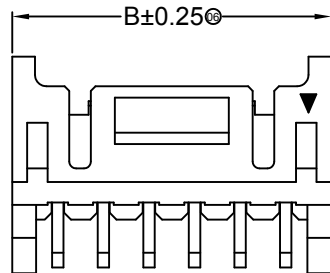
APPROVAL	CHECK	DRAWN	DATA
Success	Sun Kaibao	Jova	2007/05/03

PART NO. 2026H-2*XXB-N0			
TITLE 2.00mm Crimp Style Connectors			
UNIT	SCALE	NUMBER	REV
MM	1:1	A-009	C



■ Specifications :

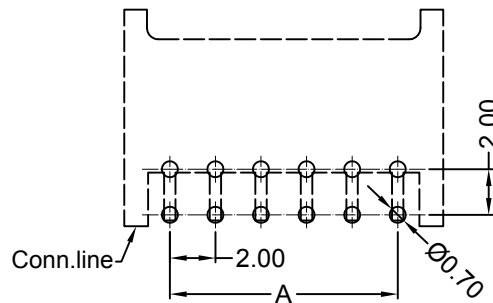
- Voltage rating: 250V AC / DC
- Current rating: 3A AC / DC
- Withstanding voltage: 800V AC/minute
- Temperature range: -25°C~+85°C
- Insulation resistance: ≥1000MΩ
- Contact resistance: ≤10mΩ
- After environmental testing: ≤20mΩ



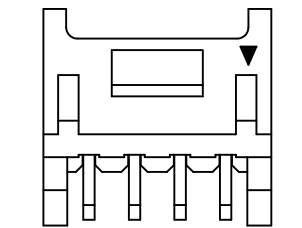
2026 W R X-2*XX B -N0 SN XX
 ① ② ③ ④ ⑤ ⑥ ⑦ ⑧ ⑨

- ① Series No.
- ② Category: W-WAFER
- ③ Welding Board Angle: R-Right Angle 90°
- ④ Welding Way: Blank-DIP
- ⑤ Row No.-Pin No.: 2*XX-2*02P~2*25P
- ⑥ Plug the Pin & Special No.:
B- With Lock In the middle
- ⑦ Material: N0-PA66 94V-0
- ⑧ Plating Category: SN-Bright Tin Plating
- ⑨ Color : Blank-Natural Color

05P~13P Shape(Scale 1:1)




Recommended P.C.B Layout
 General Tolerance±0.05

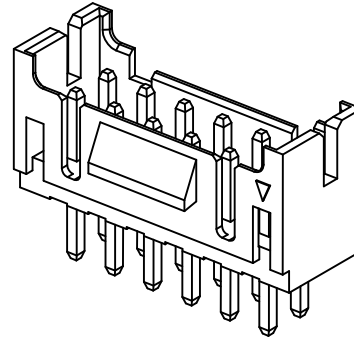
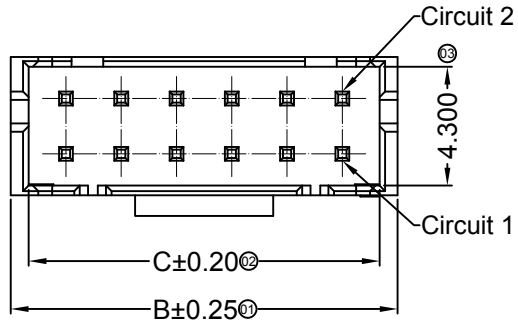


02P~04P Shape(Scale 1:1)

Poles	Dimensions (mm)			Poles	Dimensions (mm)			Poles	Dimensions (mm)		
	A	B	C		A	B	C		A	B	C
2*02	2.00	6.00	4.70	2*10	18.00	22.00	20.70	2*18	34.00	38.00	36.70
2*03	4.00	8.00	6.70	2*11	20.00	24.00	22.70	2*19	36.00	40.00	38.70
2*04	6.00	10.00	8.70	2*12	22.00	26.00	24.70	2*20	38.00	42.00	40.70
2*05	8.00	12.00	10.70	2*13	24.00	28.00	26.70	2*21	40.00	44.00	42.70
2*06	10.00	14.00	12.70	2*14	26.00	30.00	28.70	2*22	42.00	46.00	44.70
2*07	12.00	16.00	14.70	2*15	28.00	32.00	30.70	2*23	44.00	48.00	46.70
2*08	14.00	18.00	16.70	2*16	30.00	34.00	32.70	2*24	46.00	50.00	48.70
2*09	16.00	20.00	18.70	2*17	32.00	36.00	34.70	2*25	48.00	52.00	50.70

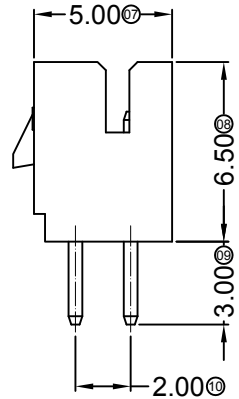
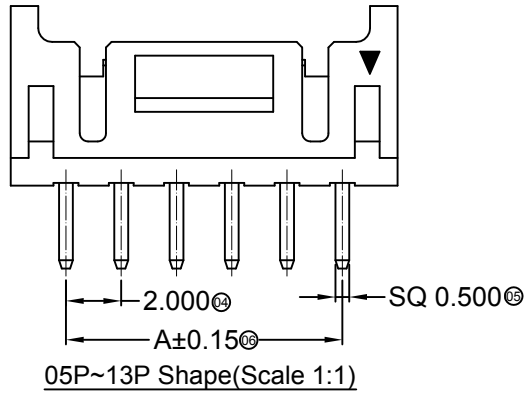
2026WR-2*XXB-N0SN	PA66 UL 94V-0	Brass	Tin-Plated	2026H-B
PART NO	Material	Material(Pin)	Finish(Pin)	Mates With SWB Housing

							<p>GENERAL TOLERANCE</p> <p>.X ±0.30</p> <p>.XX ±0.20</p> <p>.XXX ±0.10</p>				<p>SWB 思索连接器有限公司</p> <p>TERMINAL&CONNECTORS SWB CONNECTORS CO.,LTD</p>				<p>PART NO. 2026WR-2*XXB-N0SN</p>			
							<p>APPROVAL CHECK DRAWN DATA</p>				<p>TITLE 2.00mm Crimp Style Connectors</p>							
DATE	OLD REV	NEW REV	ECN	DESCRIPTION	CHECK	APPROVAL	PROJECT	Jova Lau	W.X.T	Wuxiaotao	2014/07/01	UNIT	SCALE	NUMBER	REV			
												MM	1:1	A-009	A			



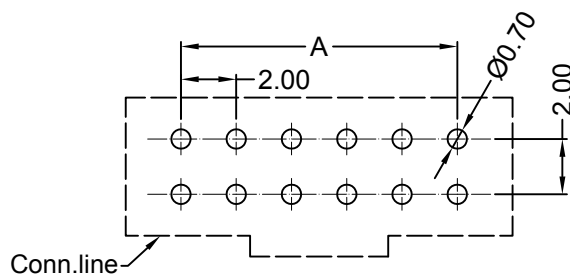
Specifications :

- Voltage rating: 250V AC / DC
- Current rating: 3A AC / DC
- Withstanding voltage: 800V AC/minute
- Temperature range: -25°C~+85°C
- Insulation resistance: ≥1000MΩ
- Contact resistance: ≤10mΩ
- After environmental testing: ≤20mΩ

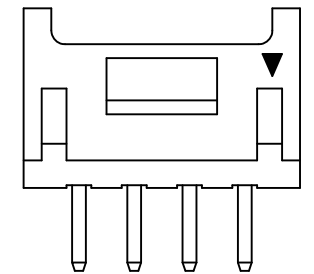


2026 W V X-2*XX B -N0 SN XX
 ① ② ③ ④ ⑤ ⑥ ⑦ ⑧ ⑨

- ① Series No.
- ② Category: W-WAFER
- ③ Welding Board Angle: V-Straight 180°
- ④ Welding Way: Blank-DIP
- ⑤ Row No.-Pin No.: 2*XX-2*02P~2*25P
- ⑥ Plug the Pin & Special No.:
B- With Lock In the middle
- ⑦ Material: N0-PA66 94V-0
- ⑧ Plating Category: SN-Bright Tin Plating
- ⑨ Color : Blank-Natural Color



Recommended P.C.B Layout
 General Tolerance±0.05



02P~04P Shape(Scale 1:1)

Poles	Dimensions (mm)			Poles	Dimensions (mm)			Poles	Dimensions (mm)		
	A	B	C		A	B	C		A	B	C
2*02	2.00	6.00	4.70	2*10	18.00	22.00	20.70	2*18	34.00	38.00	36.70
2*03	4.00	8.00	6.70	2*11	20.00	24.00	22.70	2*19	36.00	40.00	38.70
2*04	6.00	10.00	8.70	2*12	22.00	26.00	24.70	2*20	38.00	42.00	40.70
2*05	8.00	12.00	10.70	2*13	24.00	28.00	26.70	2*21	40.00	44.00	42.70
2*06	10.00	14.00	12.70	2*14	26.00	30.00	28.70	2*22	42.00	46.00	44.70
2*07	12.00	16.00	14.70	2*15	28.00	32.00	30.70	2*23	44.00	48.00	46.70
2*08	14.00	18.00	16.70	2*16	30.00	34.00	32.70	2*24	46.00	50.00	48.70
2*09	16.00	20.00	18.70	2*17	32.00	36.00	34.70	2*25	48.00	52.00	50.70

2026WV-2*XXB-N0SN	PA66 UL 94V-0	Brass	Tin-Plated	2026H-B
PART NO	Material	Material(Pin)	Finish(Pin)	Mates With SWB Housing

DATE	OLD REV	NEW REV	ECN	DESCRIPTION	CHECK	APPROVAL	PROJECT	APPROVAL	CHECK	DRAWN	DATA	UNIT	SCALE	NUMBER	REV
							GENERAL TOLERANCE .X ±0.30 .XX ±0.20 .XXX ±0.10					MM	1:1	A-009	A
							PROJECT	Jova Lau	W.X.T	Wuxiaotao	2014/06/30				



思索连接器有限公司
 SWB CONNECTORS CO.,LTD

PART NO. 2026WV-2*XXB-N0SN

TITLE 2.00 mm Crimp Style Connectors