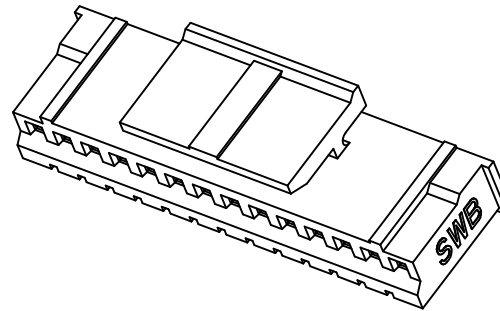
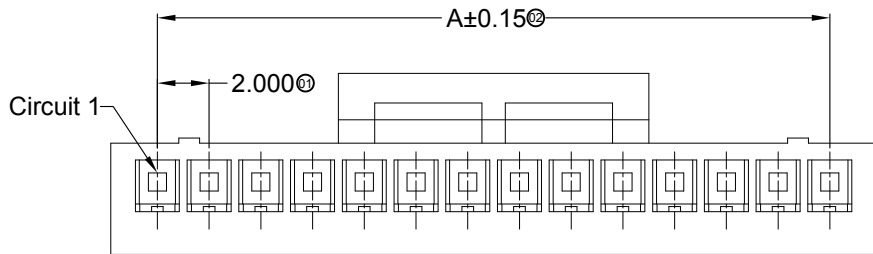


RoHS  Lead-free



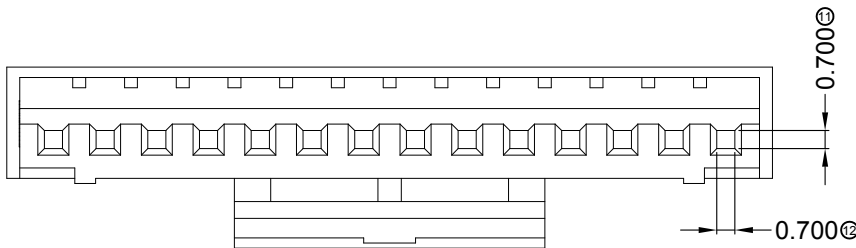
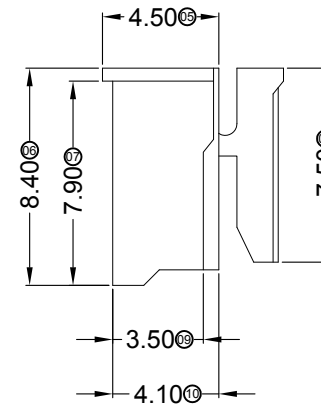
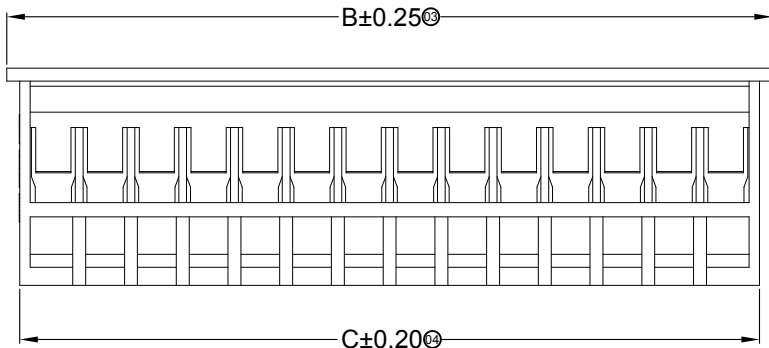
**Specifications :**

- Voltage rating: 250V AC / DC
- Current rating: 2A AC / DC
- Withstanding voltage: 800V AC/minute
- Temperature range: -25°C~+85°C
- Insulation resistance: ≥1000MΩ
- Contact resistance: ≤20mΩ
- After environmental testing: ≤30mΩ

2011 H X-XX B-N0 HF


① ② ③ ④ ⑤ ⑥ ⑦

- ① Series No.
- ② Category: H-HSG
- ③ Appearance type: Blank-Ordinary
- ④ Row No.-Pin No.: XX-10P~16P
- ⑤ Plug the Pin & Special No.: B-Buckle
- ⑥ Material : N0-PA66 UL 94V-0
- ⑦ Color : HF-Halogen Free



Poles	Dimensions (mm)		
	A	B	C
10	18.00	21.60	20.60
11	20.00	23.60	22.60
12	22.00	25.60	24.60
13	24.00	27.60	26.60
14	26.00	29.60	28.60
15	28.00	31.60	30.60
16	30.00	33.60	32.60

2011H-XXB-N0HF	PA 66 UL 94V-0 Halogen Free	2011T
2011H-XXB-N0	PA 66 UL 94V-0	
PART NO	Material	Suitable SWB Terminal

DATE	OLD REV	NEW REV	ECN	DESCRIPTION	CHECK	APPROVAL	PROJECT
2014/09/09	C	D	/	Space of a Whole page Changes	Wuxiaotao	Jova	GENERAL TOLERANCE .X ±0.30 .XX ±0.20 .XXX ±0.10
2014/01/03	B	C	/	Modify the drawing frame format	sylvia	Jova	PROJECT 

**SWB** 思索连接器有限公司  
TERMINAL&CONNECTORS SWB CONNECTORS CO.,LTD

PART NO. 2011H-XXB-N0XX

TITLE 2.00mm Crimp Style Connector

APPROVAL	CHECK	DRAWN	DATA
Jova	W.X.T	Yan.Liu	2007.05.03

UNIT	SCALE	NUMBER	REV
MM	1:1	A-106	D