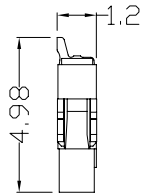
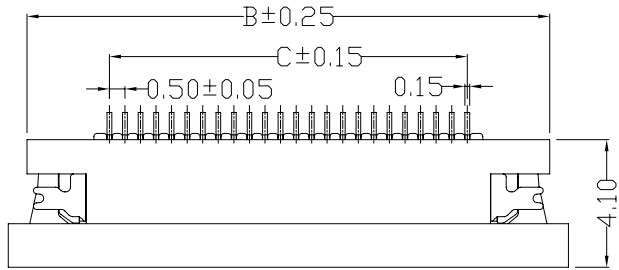


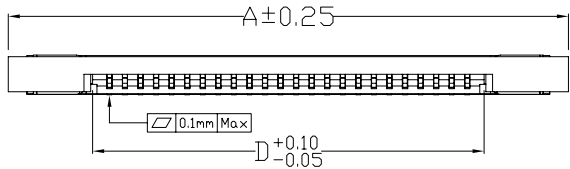
环保物料



接触点在焊接处下面为：下接触

■ Specifications(规格) :

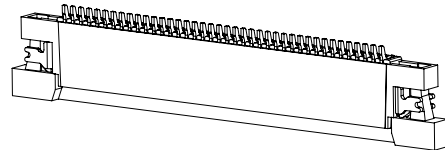
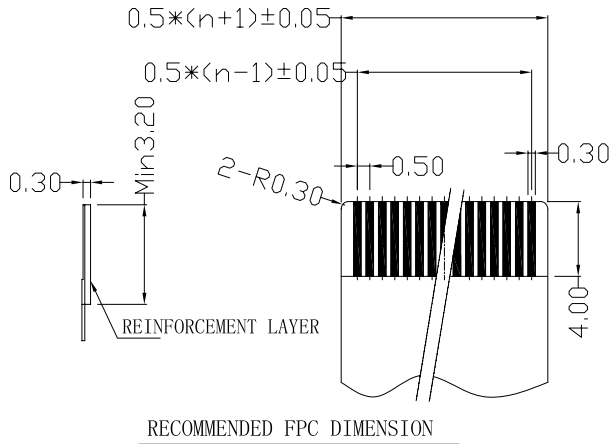
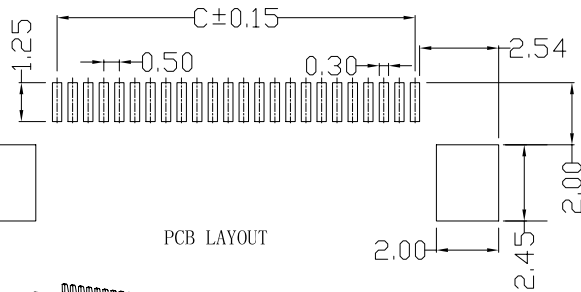
- Voltage rating(额定电压): 50V AC / DC
- Current rating(额定电流): 0.3A AC / DC
- Withstanding voltage(耐压值): 200V AC/minute
- Temperature range(工作温度): -25°C~+85°C
- Insulation resistance(绝缘电阻): ≥500MΩ
- Contact resistance(接触电阻): ≤20mΩ
- After environmental testing(环境测试后): ≤40mΩ



0509 W R S-XX F1-LP SN XX



- ① 系列
- ② 类别: W-WAFER类
- ③ 外观形态: R-90° (带脚式)
- ④ 成型方式: S-SMT
- ⑤ PIN数: 单排-XX
- ⑥ 空PIN位置及特殊码: F1-FPC型, 抽屉式下接, H=1.2
- ⑦ 材质: LP-LCP 94V-0
- ⑧ 电镀类别: G**-镀金 V**-镀全金 *01-1U" *02-2U" *03-3U" *05-5U" *10-10U" *15-15U" *30-30U" *50-50U" SN-镀亮锡(70-120U") SN1-镀亮锡(120U"Min.) SW-镀雾锡 HS-高温锡
- ⑨ 颜色: 空码-本色或普通色



| | | | | | |
|-------------------|-------------------|------------------|--------------------|----------------------|-----------|
| 0509WRS-XXF1-LPSN | LCP UL 94V-0 | LCP UL 94V-0 | Phosphor Bronze | Brass | 1,000Pcs |
| PART NO | Material(Housing) | Material(Slider) | Material(Contacts) | Material(Fixed Tabs) | Q' ty/Bag |

| Poles | Dimensions (mm) | | | |
|-------|-----------------|-------|-------|-------|
| | A | B | C | D |
| 4 | 8.00 | 6.80 | 1.50 | 2.60 |
| 5 | 8.50 | 7.30 | 2.00 | 3.10 |
| 6 | 9.00 | 7.80 | 2.50 | 3.60 |
| 7 | 9.50 | 8.30 | 3.00 | 4.10 |
| 8 | 10.00 | 8.80 | 3.50 | 4.60 |
| 9 | 10.50 | 9.30 | 4.00 | 5.10 |
| 10 | 11.00 | 9.80 | 4.50 | 5.60 |
| 11 | 11.50 | 10.30 | 5.00 | 6.10 |
| 12 | 12.00 | 10.80 | 5.50 | 6.60 |
| 13 | 12.50 | 11.30 | 6.00 | 7.10 |
| 14 | 13.00 | 11.80 | 6.50 | 7.60 |
| 15 | 13.50 | 12.30 | 7.00 | 8.10 |
| 16 | 14.00 | 12.80 | 7.50 | 8.60 |
| 17 | 14.50 | 13.30 | 8.00 | 9.10 |
| 18 | 15.00 | 13.80 | 8.50 | 9.60 |
| 19 | 15.50 | 14.30 | 9.00 | 10.10 |
| 20 | 16.00 | 14.80 | 9.50 | 10.60 |
| 21 | 16.50 | 15.30 | 10.00 | 11.10 |
| 22 | 17.00 | 15.80 | 10.50 | 11.60 |
| 23 | 17.50 | 16.30 | 11.00 | 12.10 |
| 24 | 18.00 | 16.80 | 11.50 | 12.60 |
| 25 | 18.50 | 17.30 | 12.00 | 13.10 |
| 26 | 19.00 | 17.80 | 12.50 | 13.60 |
| 27 | 19.50 | 18.30 | 13.00 | 14.10 |
| 28 | 20.00 | 18.80 | 13.50 | 14.60 |
| 29 | 20.50 | 19.30 | 14.00 | 15.10 |
| 30 | 21.00 | 19.80 | 14.50 | 15.60 |
| 31 | 21.50 | 20.30 | 15.00 | 16.10 |
| 32 | 22.00 | 20.80 | 15.50 | 16.60 |
| 33 | 22.50 | 21.30 | 16.00 | 17.10 |
| 34 | 23.00 | 21.80 | 16.50 | 17.60 |
| 35 | 23.50 | 22.30 | 17.00 | 18.10 |
| 36 | 24.00 | 22.80 | 17.50 | 18.60 |
| 37 | 24.50 | 23.30 | 18.00 | 19.10 |
| 38 | 25.00 | 23.80 | 18.50 | 19.60 |
| 39 | 25.50 | 24.30 | 19.00 | 20.10 |
| 40 | 26.00 | 24.80 | 19.50 | 20.60 |
| 41 | 26.50 | 25.30 | 20.00 | 21.10 |
| 42 | 27.00 | 25.80 | 20.50 | 21.60 |
| 43 | 27.50 | 26.30 | 21.00 | 22.10 |
| 44 | 28.00 | 26.80 | 21.50 | 22.60 |
| 45 | 28.50 | 27.30 | 22.00 | 23.10 |
| 46 | 29.00 | 27.80 | 22.50 | 23.60 |
| 47 | 29.50 | 28.30 | 23.00 | 24.10 |
| 48 | 30.00 | 28.80 | 23.50 | 24.60 |
| 49 | 30.50 | 29.30 | 24.00 | 25.10 |
| 50 | 31.00 | 29.80 | 24.50 | 25.60 |
| 51 | 31.50 | 30.30 | 25.00 | 26.10 |
| 52 | 32.00 | 30.80 | 25.50 | 26.60 |
| 53 | 32.50 | 31.30 | 26.00 | 27.10 |
| 54 | 33.00 | 31.80 | 26.50 | 27.60 |
| 55 | 33.50 | 32.30 | 27.00 | 28.10 |
| 56 | 34.00 | 32.80 | 27.50 | 28.60 |
| 57 | 34.50 | 33.30 | 28.00 | 29.10 |
| 58 | 35.00 | 33.80 | 28.50 | 29.60 |
| 59 | 35.50 | 34.30 | 29.00 | 30.10 |
| 60 | 36.00 | 34.80 | 29.50 | 30.60 |

| | |
|---------------------------|------------|
| 一般公差 GENERAL TOLERANCE | . X ±0.3 |
| | . XX ±0.2 |
| | . XXX ±0.1 |

CSWB 东莞市思索连接器有限公司
TERMINAL&CONNECTORS Dongguan Siweb Connectors CO.,LTD

料号 PART NO 0509WRS-XXF1-LPSN

品名 TITLE 0.50 mm Crimp Style connectors

| | | | |
|------------|------------|------------|------------|
| 角法 PROJECT | 角法 PROJECT | 角法 PROJECT | 角法 PROJECT |
| 角法 PROJECT | 角法 PROJECT | 角法 PROJECT | 角法 PROJECT |

| | | | |
|---------|----------|-----------|--------|
| 单位 UNIT | 比例 SCALE | 图号 NUMBER | 版次 REV |
| MM | 1/1 | A-113 | A |

| | | | | | |
|---------|-------------|-------------|------------------|--------|---------|
| 日期 DATE | 旧版次 OLD REV | 新版次 NEW REV | 变更内容 DESCRIPTION | 审核 CHK | 核准 APPD |
|---------|-------------|-------------|------------------|--------|---------|