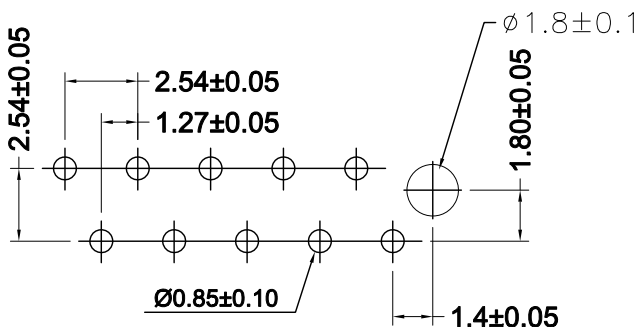
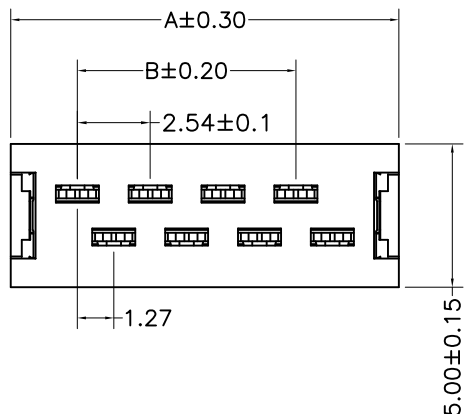
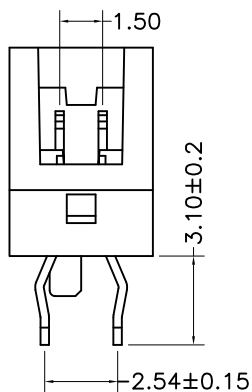
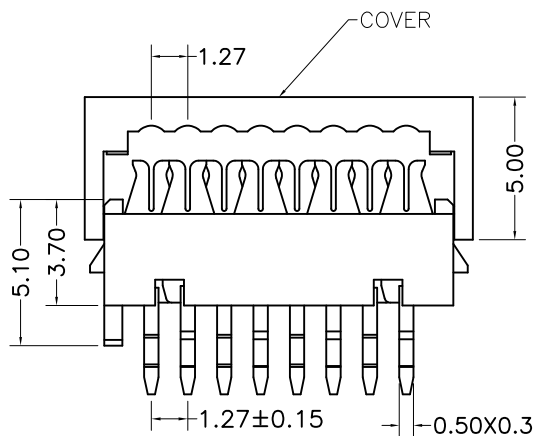
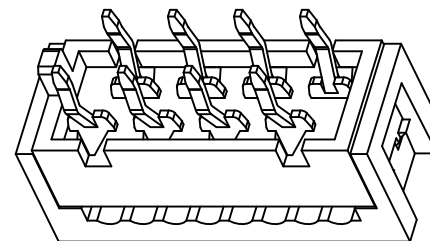


RoHS  Lead-free



Recommended P.C. Board Layout



- Specifications(规格):
 - Voltage rating(额定电压): 500V AC / DC
 - Current rating(额定电流): 1A AC / DC
 - Withstanding voltage(耐压值): 1000V AC/minute
 - Temperature range(工作温度): -40°C~+105°C
 - Insulation resistance(绝缘电阻): ≥1000MΩ
 - Contact resistance(接触电阻): ≤20mΩ
 - After environmental testing(环境测试后): ≤30mΩ

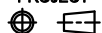
9127 H I-XX A-PT TR
① ② ③ ④ ⑤ ⑥ ⑦

- ① 系列
- ② 类别:
H-HSG B-BASE K-塞KEY C-盖子
- ③ 外观形态:
空码-普通
BOARD-IN: V-180° R-90°
I-HSG加五金件组立品 S-SMT
M-公HSG F-母HGS W-公母连体
- ④ PIN数或防呆KEY形态:
单排-XX 双排-2*XX 三排: 3*XX
- ⑤ 特殊码:
A-双缺
- ⑥ 材质:
6T-PA6T 9T-PA9T 46-PA46 LP-LCP PT-PBT
N0-PA66 94V-0 N2-PA66 94V-2 TS-其它
- ⑦ 颜色:
空码-本色或普通色
BK-黑色 BR-棕色 RE-红色 ZR-紫红
OR-橙色 YE-黄色 GR-绿色 BL-蓝色
PR-紫色 GY-灰色 WH-白色 TR-大红
BN-咖啡色 LB-浅蓝色 RD-暗红色 BE-米黄色
TS-其它

Poles	Dimensions (mm)		Q'ty /Tube
	A	B	
04	8.45	2.54	68
06	10.99	5.08	52
08	13.53	7.62	42
10	16.07	10.16	36
12	18.61	12.70	31
14	21.15	15.24	27
16	23.69	17.78	24
18	26.23	20.32	22
20	28.77	22.86	20
22	31.31	25.40	18
24	33.85	27.94	17
26	36.39	30.48	16

9127HI-XXA-PTTR	PBT UL 94V-0	Brass	Tin-Plated
PART NO	Material	Material(Pin)	Finish(Pin)

DATE	OLD REV	NEW REV	ECN	DESCRIPTION	CHECK	APPROVAL
2011/06/30	A	B		修改图框格式		

GENERAL TOLERANCE	
.X	±0.30
.XX	±0.20
.XXX	±0.10
PROJECT	
	

SWB 思索连接器有限公司
Terminal & Connectors SWB CONNECTORS CO., LTD

APPROVAL	CHECK	DRAWN	DATA
SUCCESS	孙开宝	刘艳	2011/06/23

PART NO. 9127HI-XXA-PTTR			
TITLE 1.27 mm Crimp Style connectors			
UNIT	SCALE	NUMBER	REV
MM	1/1	A-106	B

RoHS  Lead-free

■ Specifications :

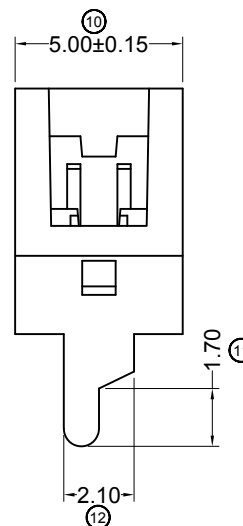
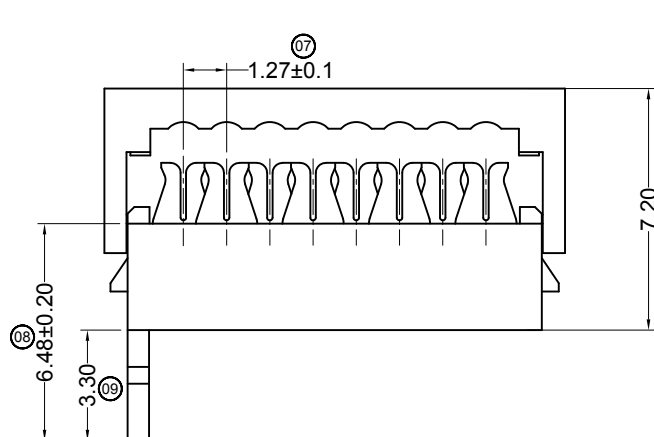
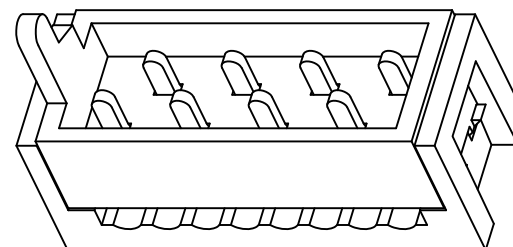
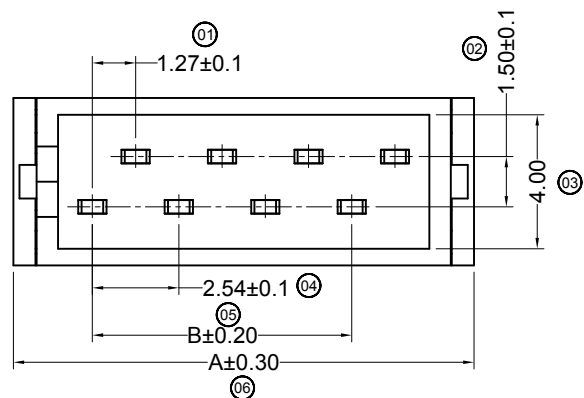
- Voltage rating: 500V AC / DC
- Current rating: 1A AC / DC
- Withstanding voltage: 1000V AC/minute
- Temperature range: -40°C~+105°C
- Insulation resistance: ≥1000MΩ
- Contact resistance: ≤20mΩ
- After environmental testing: ≤30mΩ

9127 HI-XX X-PT RE

① ② ③ ④ ⑤ ⑥ ⑦

- ① Series No.
- ② Category: H-HSG
- ③ Appearance type: I-HSG and Hardware assembly
- ④ Row No.-Pin No.: 2*XX-Double Row ; XX-Single Row
- ⑤ Plug the Pin & Special No.:
- ⑥ Material : PT-PBT 94V-0
- ⑦ Color: RE : RED Color

Poles	Dimensions (mm)		Q'TY Tray/PCS	Q'TY Box/PCS
	A	B		
04	8.45	2.54	260	15,600
06	10.99	5.08	240	14,400
08	13.53	7.62	160	9,600
10	16.07	10.16	140	8,400
12	18.61	12.70	120	7,200
14	21.15	15.24	100	6,000
16	23.69	17.78	90	5,400
18	26.23	20.32	80	4,800
20	28.77	22.86	70	4,200
22	31.31	25.40	70	4,200
24	33.85	27.94	60	3,600
26	36.39	30.48	60	3,600

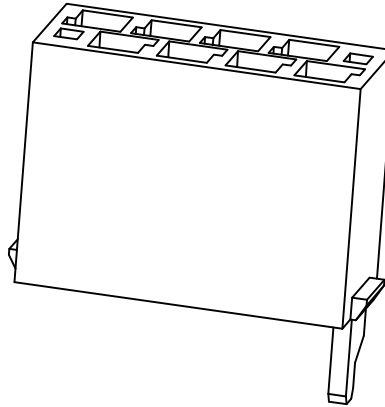
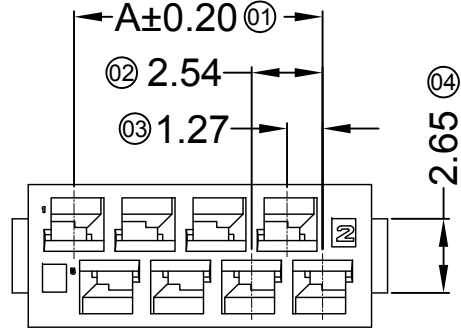


9127HI-XX-PTRE	PBT UL 94V-0	Brass	Tin-Plated
PART NO	Material	Material(Pin)	Finish(Pin)

							GENERAL TOLERANCE				PART NO. 9127HI-XX-PTRE				
							.X ±0.30				TITLE				
							.XX ±0.20				1.27 mm Crimp Style Connector				
							.XXX ±0.10				APPROVAL CHECK DRAWN DATA				
DATE	OLD REV	NEW REV	ECN	DESCRIPTION	CHECK	APPROVAL	PROJECT					UNIT MM	SCALE 1:1	NUMBER A-106	REV A
2013/08/24	A	B	ECN2013082501	Modify drawing frame format	Jova		SWB Terminal Connectors			Jova	2011/08/01				

SWB 思索连接器有限公司
Terminal Connectors SWB Connectors CO.,LTD

RoHS  Lead-free



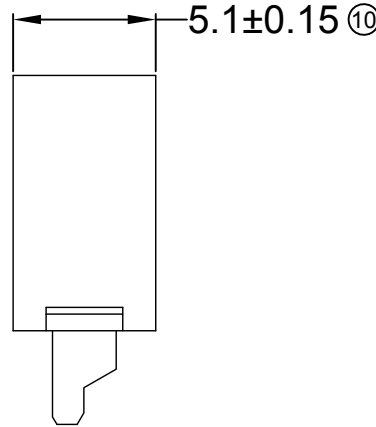
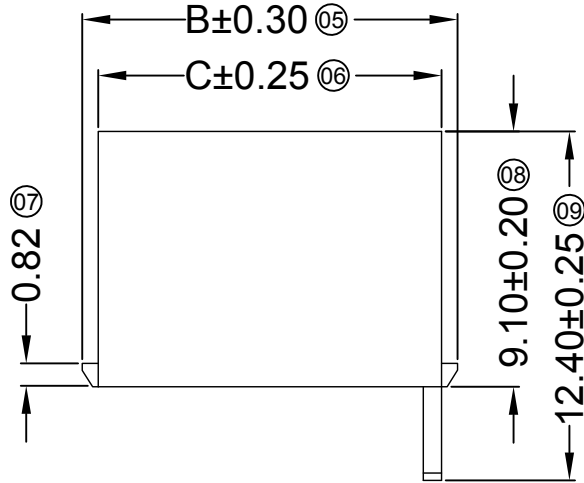
■ Specifications :

- Voltage rating: 500V AC / DC
- Current rating: 1A AC / DC
- Withstanding voltage: 500V AC/minute
- Temperature range: -40°C~+105°C
- Insulation resistance: ≥1000MΩ
- Contact resistance: ≤20mΩ
- After environmental testing: ≤40mΩ

9127 H X-XX X-PT RE


① ② ③ ④ ⑤ ⑥ ⑦

- ① Series No.
- ② Category: H-HSG
- ③ Welding Board Angle: Blank-ordinary
- ④ Row No.-Pin No.: XX-04~26P
- ⑤ Plug the Pin & special No.
- ⑥ Material: PT-PBT 94V-0
- ⑦ Color: RE-Red

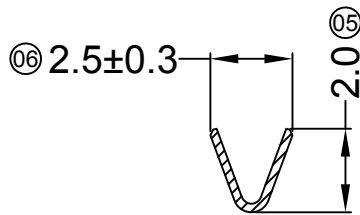
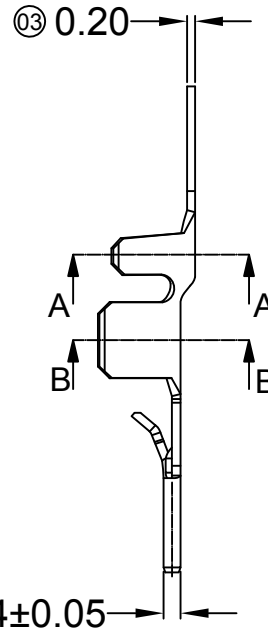
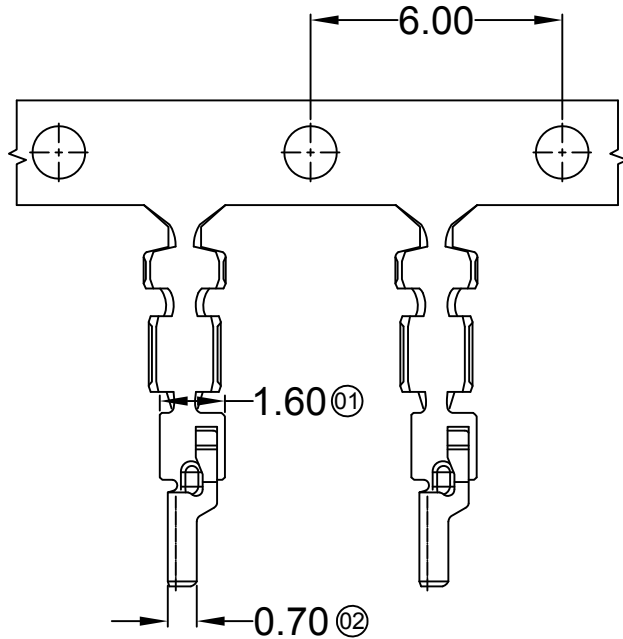


Poles	Dimensions(mm)			Poles	Dimensions(mm)		
	A	B	C		A	B	C
04	3.81	8.40	7.20	16	19.05	23.60	22.50
06	6.35	10.90	9.80	18	21.59	26.20	25.00
08	8.89	13.50	12.30	20	24.13	28.70	27.60
10	11.43	16.00	14.90	22	26.67	31.20	30.20
12	13.97	18.50	17.40	24	29.21	33.80	32.80
14	16.51	21.10	19.90	26	31.75	36.40	35.40

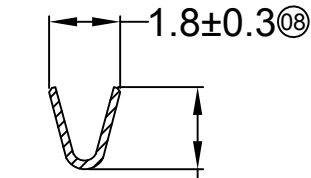
9127H-XX-PTRE	PBT UL 94V-0	9127T	9127W
PART NO	Material	Suitable SWB Terminal	Mates With SWB Wafer

							GENERAL TOLERANCE .X ±0.30 .XX ±0.20 .XXX ±0.10		SWB 思索连接器有限公司 Terminal & Connectors SWB CONNECTORS CO., LTD				PART NO. 9127H-XX-PTRE			
							APPROVAL CHECK DRAWN DATA		TITLE 1.27 mm Crimp Style Connectors							
DATE	OLD REV	NEW REV	ECN	DESCRIPTION	CHECK	APPROVAL	PROJECT	UNIT	SCALE	NUMBER	REV					
								MM	1:1	A-016	A					

RoHS  Lead-free



SECTION A-A
SCALE 1 : 1



SECTION B-B
SCALE 1 : 1

■ Specifications :

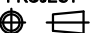



- Voltage rating: 500V AC / DC
- Current rating: 1A AC / DC
- Withstanding voltage: 500V AC/minute
- Temperature range: -40°C~+105°C
- Insulation resistance: ≥1000MΩ
- Contact resistance: ≤20mΩ
- After environmental testing: ≤40mΩ

9127 T X-P SN X-X

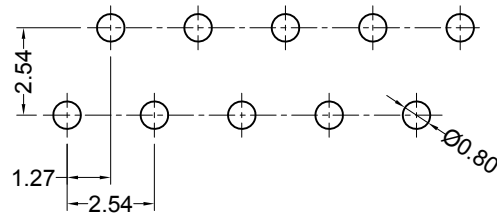
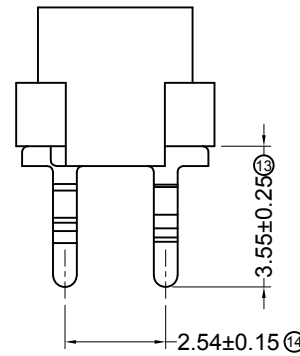
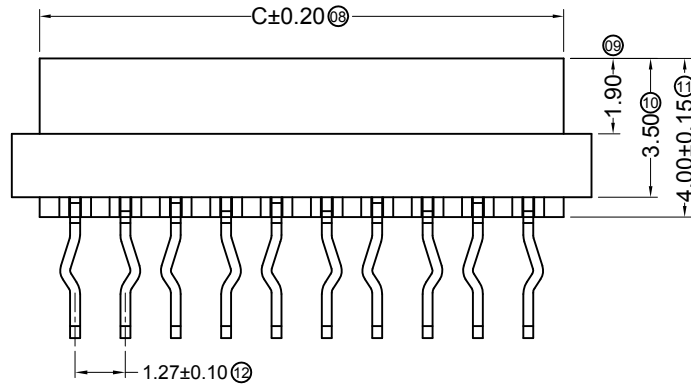
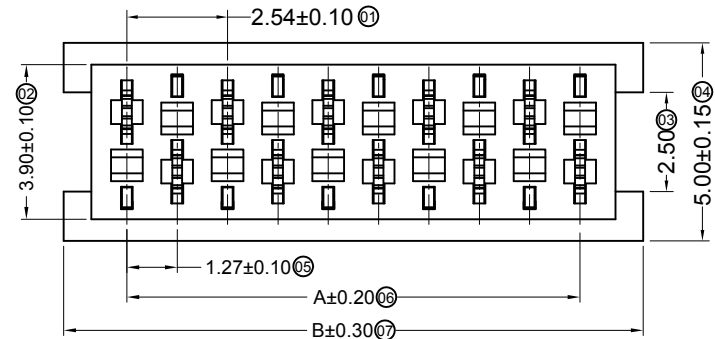
① ② ③ ④ ⑤ ⑥ ⑦

- ① Series Number
- ② Category: T-terminal
- ③ Shape: Blank-ordinary
- ④ Material: P-Phosphor bronze
- ⑤ Plating style:
SN-Bright tin plating 70-120u"
- ⑥ Plating method:
Blank-Stamping before plating
- ⑦ Mold No./Mark/Special No.

9127T-PSN	Phosphor Bronze	AWG#20-24	1.75mm(Max)	Stamping Before Plating:30u" Ni;70u"Sn	Used In SWB Housing
PART NO	Material	Wire Range	Insulation O.D.	Finish	

							GENERAL TOLERANCE .X ±0.30 .XX ±0.20 .XXX ±0.10		SWB 思索连接器有限公司 Terminal & Connectors SWB CONNECTORS CO.,LTD				PART NO. 9127T-PSN					
							APPROVAL 		CHECK 		DRAWN sylvia		DATA 2014/04/19		TITLE 1.27 mm Crimp Style Connectors			
DATE	OLD REV	NEW REV	ECN	DESCRIPTION	CHECK	APPROVAL	PROJECT					UNIT	SCALE	NUMBER	REV			
												MM	1 : 1	A-016	A			

RoHS  Lead-free



Recommended P.C.B LAYOUT (Top Side)
(PCB BOARD TOLERANCE±0.05)

■ Specifications :


- Voltage rating: 500V AC / DC
- Current rating: 1A AC / DC
- Withstanding voltage: 1000V AC/minute
- Temperature range: -40°C~+105°C
- Insulation resistance: ≥1000MΩ
- Contact resistance: ≤20mΩ
- After environmental testing: ≤30mΩ

9127 W V X-XX A2-9T SN XX
① ② ③ ④ ⑤ ⑥ ⑦ ⑧ ⑨

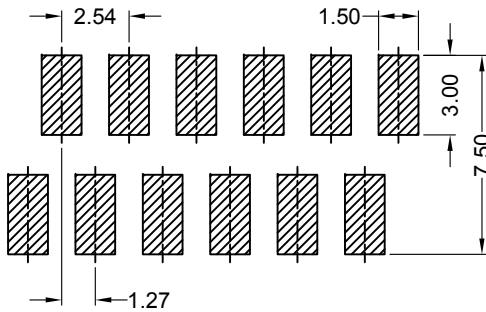
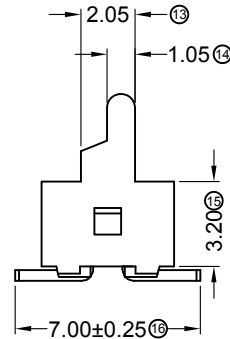
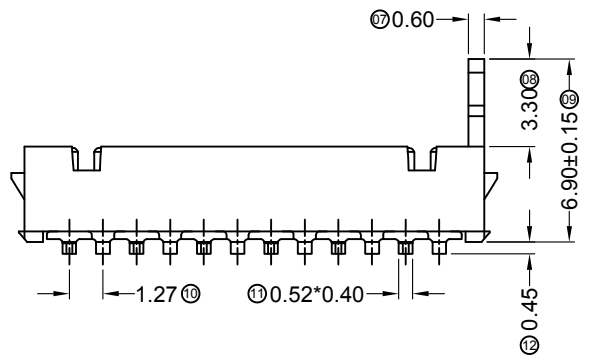
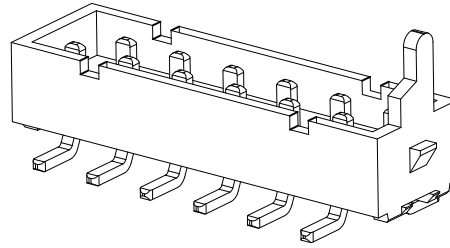
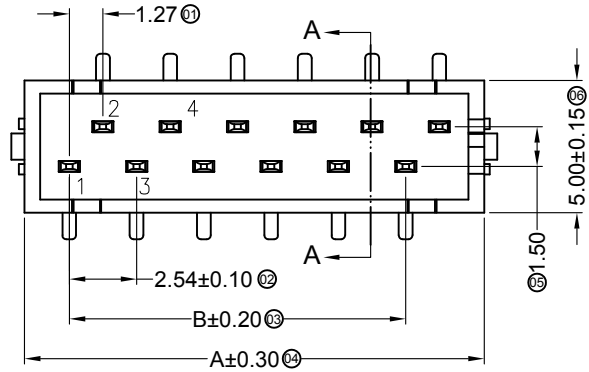
- ① Series No.
- ② Category: W-wafer
- ③ Welding Board Angle: V- Straight 180°
- ④ Welding Way: Blank-DIP
- ⑤ Row No.-Pin No.: XX-04P~26P
- ⑥ Plug the Pin & Special No.: A2-Double Deficiency
- ⑦ Material: 9T-Nylon 9T 94V-0
- ⑧ Planting Category: SN-Bright tin plating
- ⑨ Color: RE-Red RD-purplish red

Poles	Dimensions(mm)			Poles	Dimensions(mm)		
	A	B	C		A	B	C
04	3.81	7.00	5.60	16	19.05	22.24	20.84
06	6.35	9.54	8.14	18	21.59	24.78	23.38
08	8.89	12.08	10.68	20	24.13	27.32	25.92
10	11.43	14.62	13.22	22	26.67	29.86	28.46
12	13.97	17.16	15.76	24	29.21	32.40	31.00
14	16.51	19.70	18.30	26	31.75	34.94	33.54

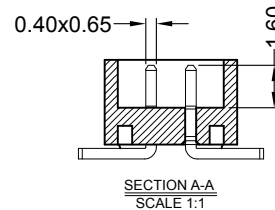
9127WV-XXA2-9TSNRD	Purplish red	PA9T UL 94V-0	Brass	Tin-Plated
9127WV-XXA2-9TSNRE	Red			
PART NO	Color	Material	Material(Pin)	Finish(Pin)

							GENERAL TOLERANCE	SWB 思索连接器有限公司 Terminal & Connectors SWB CONNECTORS CO., LTD				PART NO. 9127WV-XXA2-9TSNXX			
							.X ±0.30	APPROVAL				CHECK			
							.XX ±0.20	DRAWN				DATA			
							.XXX ±0.10	PROJECT				UNIT			
DATE	OLD REV	NEW REV	ECN	DESCRIPTION	CHECK	APPROVAL	PROJECT	UNIT	SCALE	NUMBER	REV				
2013/12/21	B	C		Modify the drawing frame format		sylvania		MM	1 : 1	A-106	C				

RoHS  Lead-free



Recommended PCB Layout (Top Side)



■ Specifications :


- Voltage rating: 500V AC / DC
- Current rating: 1A AC / DC
- Withstanding voltage: 1000V AC/minute
- Temperature range: -40°C~+105°C
- Insulation resistance: ≥1000MΩ
- Contact resistance: ≤20mΩ
- After environmental testing: ≤30mΩ

9127 W V S-XX A4-XX SN XX
① ② ③ ④ ⑤ ⑥ ⑦ ⑧ ⑨

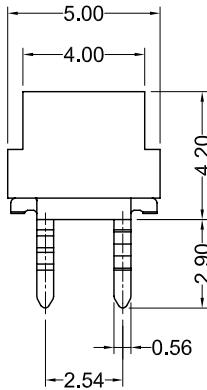
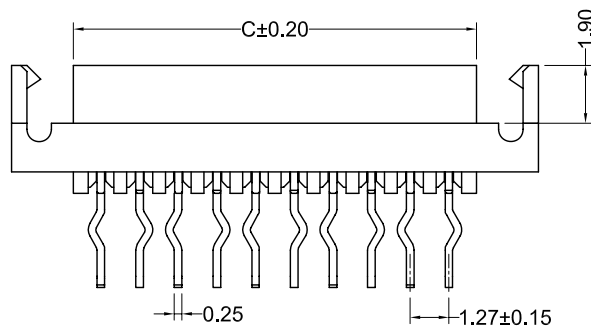
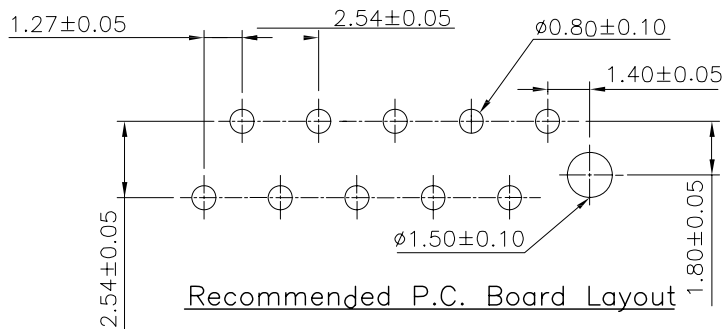
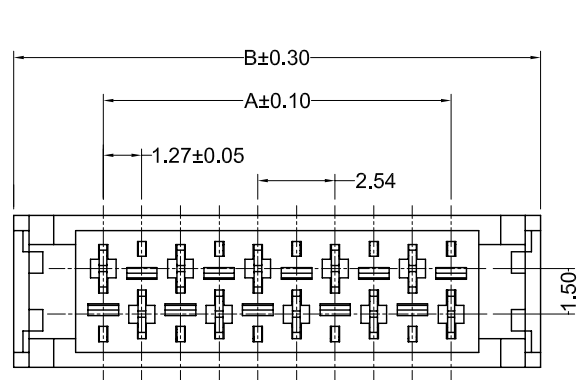
- ① Series No.
- ② Category: W-wafer
- ③ Welding Board Angle: V-180°
- ④ Welding Way: S-SMT
- ⑤ Row No.-Pin No.: XX-Single Row
- ⑥ Plug the Pin & Special No.:
A4-Double indented sides
with mistake-proof column
- ⑦ Material: 9T-Nylon 9T 94V-0; PT-PBT 94V-0
- ⑧ Planting Category: SN-Bright Tin plating
- ⑨ Color: RE-Red RD-Purplish red

Poles	Dimensions(mm)		Q'ty/Tube	Poles	Dimensions(mm)		Q'ty/Tube
	A	B			A	B	
04	7.20	2.54	71	16	22.44	17.78	25
06	9.74	5.08	54	18	24.98	20.32	22
08	12.28	7.62	44	20	27.52	22.86	20
10	14.82	10.16	37	22	30.06	25.40	18
12	17.63	12.70	31	24	32.60	27.94	17
14	19.90	15.24	28	26	35.14	30.48	16

9127WVS-XXA4-PTS NRE	Red	PBT UL 94V-0	Brass	Tin-Plated
9127WVS-XXA4-9TSNRD	Purplish red	PA9T UL 94V-0		
9127WVS-XXA4-9TSNRE	Red			
PART NO	Color	Material	Material(Pin)	Finish(Pin)

DATE	OLD REV	NEW REV	ECN	DESCRIPTION	CHECK	APPROVAL	PROJECT	APPROVAL	CHECK	DRAWN	DATA	UNIT	SCALE	NUMBER	REV		
2014/12/03	B	C		Add the PBT Part No		svlvia						MM	1:1	A-106	C		
2014/10/22	A	B		Modify the product appearance		svlvia											
							GENERAL TOLERANCE	 思索连接器有限公司 Terminal & Connectors SWB CONNECTORS CO., LTD				PART NO. 9127WVS-XXA4-XXSNXX TITLE 1.27 mm Crimp Style Connectors					
							.X ±0.30	APPROVAL	CHECK	DRAWN	DATA						
							.XX ±0.20					svlvia	2014/07/23				
							.XXX ±0.10										
							PROJECT										

环保物料



Poles	Dimensions (mm)			Q'ty /Tube
	A	B	C	
04	3.81	9.68	5.60	59
06	6.35	12.22	8.14	47
08	8.89	14.76	10.68	39
10	11.43	17.30	13.22	33
12	13.97	19.84	15.76	29
14	16.51	22.38	18.30	25
16	19.05	24.92	20.84	23
18	21.59	27.46	23.38	21
20	24.13	30.00	25.92	19
22	26.67	32.54	28.46	17
24	29.21	35.08	31.00	16
26	31.75	37.62	33.54	15

9127WV-XXB-9TSNRE	PA9T UL 94V-0	Phosphor Bronze	Tin-Plated
PART NO	Material	Material(Pin)	Finish(Pin)

Specifications(规格):

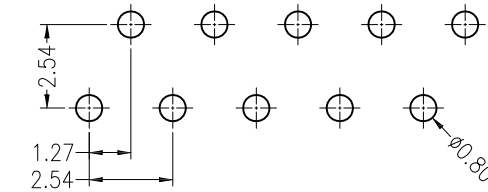
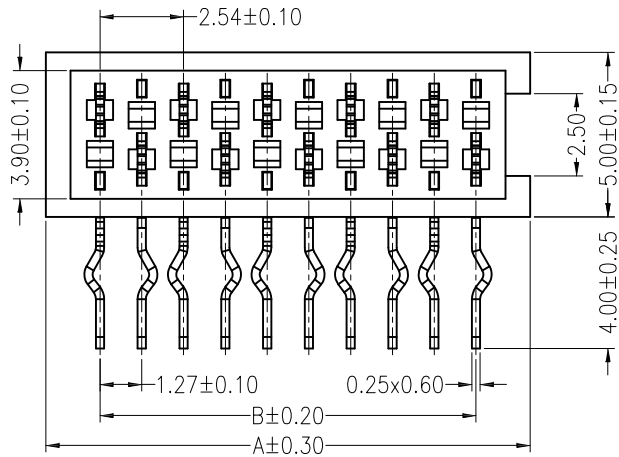
- Voltage rating(额定电压): 500V AC / DC
- Current rating(额定电流): 1A AC / DC
- Withstanding voltage(耐压值): 1000V AC/minute
- Temperature range(工作温度): -40°C~+105°C
- Insulation resistance(绝缘电阻): ≥1000MΩ
- Contact resistance(接触电阻): ≤20mΩ
- After environmental testing(环境测试后): ≤30mΩ

9127 W V X-XX B-9T SN RE

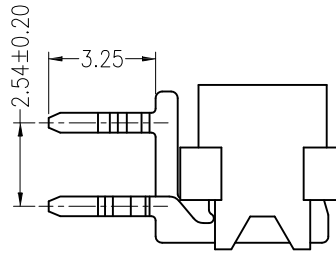
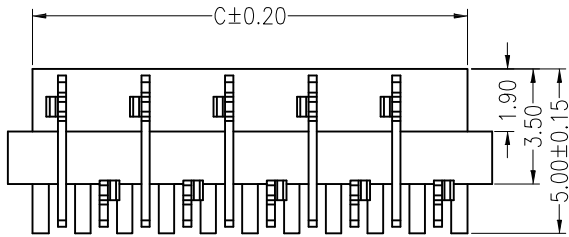
- ①系列
- ②类别: W-WAFER类
- ③外观形态:
V-180° R-90° (带脚式)
- ④成型方式:
空码-DIP S-SMT W-公母连体
- ⑤PIN数:
单排-XX 双排-2*XX
- ⑥特殊码:
B-双缺 有耳
- ⑦材质:
6T-PA6T 9T-PA9T 46-PA46 LP-LCP PT-PBT
N0-PA66 94V-0 N2-PA66 94V-2 TS-其它
- ⑧电镀类别: G**-镀金 V**-镀全金 S-镀银
*01-1U" *02-2U" *03-3U" *05-5U"
*10-10U" *15-15U" *30-30U" *50-50U"
N-镀镍 (30-50U") SN-镀亮锡 (70-120U")
SN1-镀亮锡 (120U"Min.) SW-镀雾锡 HS-高温锡
- ⑨颜色:
空码-本色或普通色
BK-黑色 BR-棕色 RE-红色 RD-紫红
OR-橙色 YE-黄色 GR-绿色 BL-蓝色
PR-紫色 GY-灰色 WH-白色 TR-大红
BN-咖啡色 LB-浅蓝色 BE-米黄色 TS-其它

						一般公差 GENERAL TOLERANCE	CSWB 东莞市思索连接器有限公司 TERMINAL&CONNECTORS Dongguan Siweb Connectors CO.,LTD			料号 PART NO 9127WV-XXB-9TSNRE				
						.X ±0.3 .XX ±0.2 .XXX ±0.1				品名 TITLE 1.27 mm Crimp Style connectors				
2011/09/08	A	B	修改图框格式			角法 PROJECT	核准 APPD	审核 CHK	绘图 DR	日期 DATA	单位 UNIT	比例 SCALE	图号 NUMBER	版次 REV
日期 DATE	旧版次 OLD REV	新版次 NEW REV	变更内容 DESCRIPTION			角法 PROJECT			刘艳	2011/06/23	MM	1/1	A-106	B

环保物料



Recommended P.C.B Layout(Top Side)
(PCB BOARD TOLERANCE±0.05)



Specifications(规格):

- Voltage rating(额定电压): 500V AC / DC
- Current rating(额定电流): 1A AC / DC
- Withstanding voltage(耐压值): 1000V AC/minute
- Temperature range(工作温度): -40°C~+105°C
- Insulation resistance(绝缘电阻): ≥1000MΩ
- Contact resistance(接触电阻): ≤20mΩ
- After environmental testing(环境测试后): ≤30mΩ

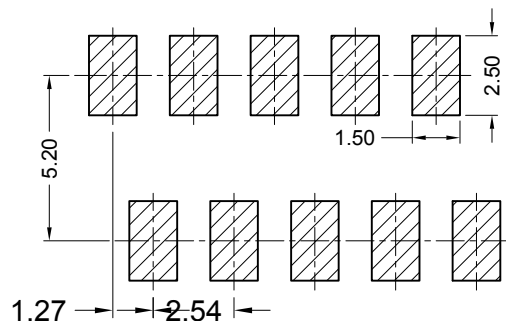
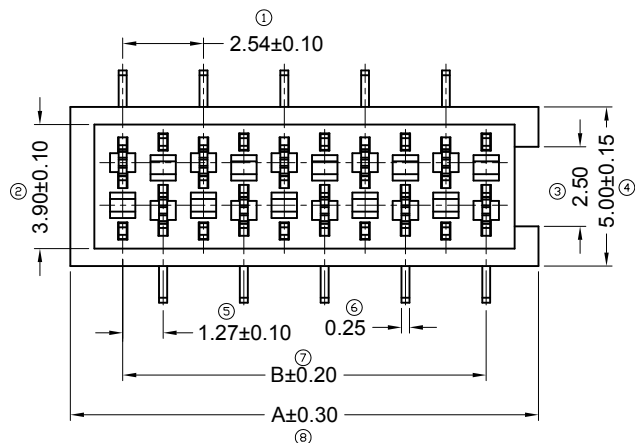
9127 W R X-XX A1-9T SN RE
① ② ③ ④ ⑤ ⑥ ⑦ ⑧

- ①系列
- ②类别: W-WAFER类
- ③外观形态:
V-180° R-90° (带脚式)
- ④成型方式:
空码-DIP S-SMT W-公母连体
- ⑤PIN数:
单排-XX 双排-2*XX
- ⑥特殊码:
A1-无耳、无台、单缺、燕尾
- ⑦材质:
6T-PA6T 9T-PA9T 46-PA46 LP-LCP PT-PBT
N0-PA66 94V-0 N2-PA66 94V-2 TS-其它
- ⑧电镀类别:G**-镀金 V**-镀全金 S-镀银
*01-1U" *02-2U" *03-3U" *05-5U"
*10-10U" *15-15U" *30-30U" *50-50U"
N-镀镍(30-50U") SN-镀亮锡(70-120U")
SN1-镀亮锡(120U"Min.) SW-镀雾锡 HS-高温锡
- ⑨颜色:
空码-本色或普通色
BK-黑色 BR-棕色 RE-红色 RD-紫红
OR-橙色 YE-黄色 GR-绿色 BL-蓝色
PR-紫色 GY-灰色 WH-白色 BE-米黄色
BN-咖啡色 LB-浅蓝色 RD-暗红色 TS-其它

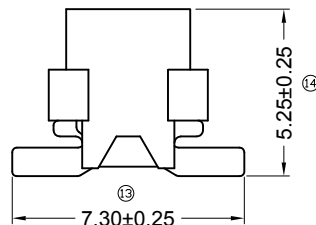
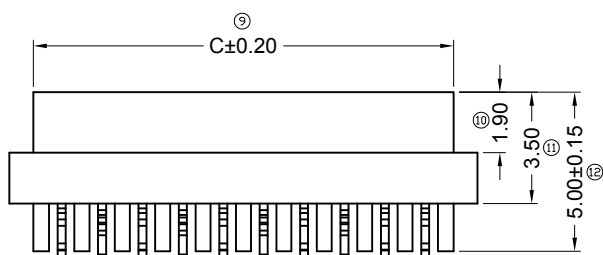
Poles	Dimensions (mm)			Q'ty /Tube
	A	B	C	
04	7.00	3.81	5.60	82
06	9.54	6.35	8.14	60
08	12.08	8.89	10.68	48
10	14.62	11.43	13.22	39
12	17.16	13.97	15.76	33
14	19.70	16.51	18.30	29
16	22.24	19.05	20.84	26
18	24.78	21.59	23.38	23
20	27.32	24.13	25.92	21
22	29.86	26.67	28.46	19
24	32.40	29.21	31.00	17
26	34.94	31.75	33.54	16

9127WR-XXA1-9TSNRE	PA9T UL 94V-0	Phosphor Bronze	Tin-Plated
PART NO	Material	Material(Pin)	Finish(Pin)

				一般公差 GENERAL TOLERANCE .X ±0.3 .XX ±0.2 .XXX ±0.1				CSWB 东莞市思索连接器有限公司 TERMINAL CONNECTORS Dongguan Siweb Connectors CO.,LTD				料号 PART NO 9127WR-XXA1-9TSNRE			
2011/09/08 A B 修改图框格式								核准 APPD 审核 CHK 绘图 DR 日期 DATA				品名 TITLE 1.27 mm Crimp Style connectors			
日期 DATE 旧版次 OLD REV 新版次 NEW REV 变更内容 DESCRIPTION 审核 CHK 核准 APPD				角法 PROJECT				SUCCESS 孙开宝 刘艳 2011/06/23				单位 UNIT 比例 SCALE 图号 NUMBER 版次 REV			
												MM 1/1 A-106 B			



Recommended P.C.B Layout(Top Side)
(PCB BOARD TOLERANCE±0.05)



9127WVS-XXA1-9TSNRD	PA9T UL 94V-0	Dark Red	Phosphor Bronze	Tin-Plated
9127WVS-XXA1-9TSNRE	PA9T UL 94V-0	Red	Phosphor Bronze	Tin-Plated
Part No	Material	Color	Material(Pin)	Finish(Pin)


Poles	Dimensions (mm)			Q'ty /Tube
	A	B	C	
04	7.00	3.81	5.60	82
06	9.54	6.35	8.14	60
08	12.08	8.89	10.68	48
10	14.62	11.43	13.22	39
12	17.16	13.97	15.76	33
14	19.70	16.51	18.30	29
16	22.24	19.05	20.84	26
18	24.78	21.59	23.38	23
20	27.32	24.13	25.92	21
22	29.86	26.67	28.46	19
24	32.40	29.21	31.00	17
26	34.94	31.75	33.54	16

■ Specifications :

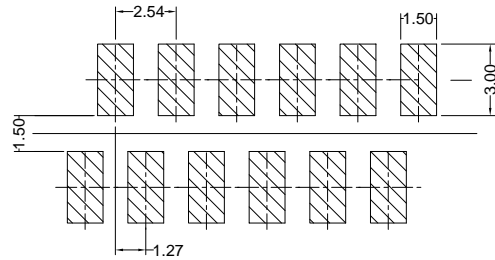
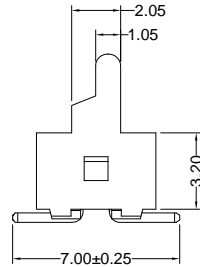
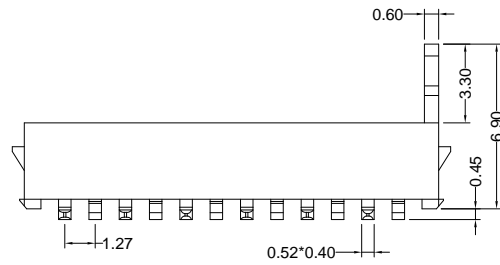
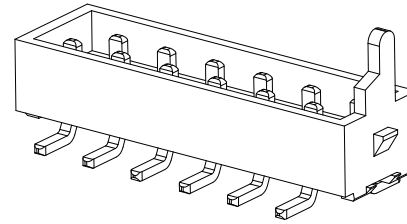
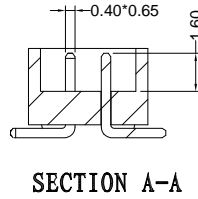
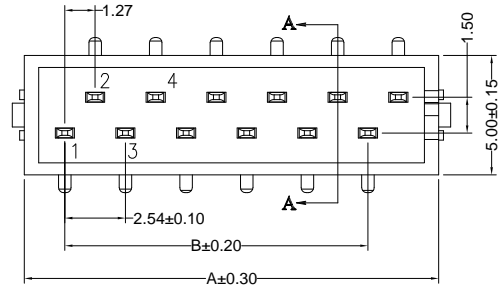
- Voltage rating: 500V AC / DC
- Current rating: 1A AC / DC
- Withstanding voltage: 1000V AC/minute
- Temperature range: -40°C~+105°C
- Insulation resistance: ≥1000MΩ
- Contact resistance: ≤20mΩ
- After environmental testing: ≤30mΩ

9127 W V S-XX A1-9T SN XX
① ② ③ ④ ⑤ ⑥ ⑦ ⑧ ⑨

- ① Series No
- ② Category: W-WAFER
- ③ Welding Board Angle: V-180° ; R-90°
- ④ Welding Way: Blank-DIP ; S-SMT
W-Female and male conjoined
- ⑤ Row No.-Pin No.: XX-Single Row ; 2*XX-Double Row
- ⑥ Special No: A1-Single Gap
- ⑦ Material: 6T-PA6T 9T-PA9T 46-PA46 LP-LCP PT-PBT
N0-PA66 94V-0 N2-PA66 94V-2 TS-Other
- ⑧ Plating Category: G**-Gold Plated Contact
V**- All Gold-Plated S**-Silver Plated
01-Gold Flash 02-2u" 03-3u" 05-5u"
10-10u" 15-15u" 30-30u" 50-50u"
N-Nickel Plated(30-50u")
SN1-Bright Tin Plating (120u" Min).
SW- Fog Tin Plating
HS-Hight temperature Tin
- ⑨ Color : Blank-Natural Color
BK-black ; BR-brown ; RE-red ; RD-Dark red ;
OR-orange ; YE-yellow ;GR-green ; BL-blue ;
PR-purple ; GY-gray ; WH-white ; TR-bright red ;
BN-Coffee ; LB-light blue ; BE-beige ; TS-other

							GENERAL TOLERANCE .X ±0.30 .XX ±0.20 .XXX ±0.10				 思索连接器有限公司 Terminal Connectors SWB Connectors CO.,LTD				PART NO. 9127WVS-XXA1-9TSNXX			
							APPROVAL CHECK DRAWN DATA				TITLE 1.27 mm Crimp Style Connector							
2011/09/08	A	B		Modify drawing frame format	yangmei		Bob Sun	Jova Lau	liu yan	2011/06/23	UNIT MM	SCALE 1 : 1	NUMBER A-106	REV B				
DATE	OLD REV	NEW REV	ECN	DESCRIPTION	CHECK	APPROVAL	PROJECT											


RoHS  Lead-free



Recommended PCB Layout(Top Side)

■ Specifications(规格) :

- Voltage rating(额定电压) : 500V AC / DC
- Current rating(额定电流) : 1A AC / DC
- Withstanding voltage(耐压值) : 1000V AC/minute
- Temperature range(工作温度) : -40°C~+105°C
- Insulation resistance(绝缘电阻) : ≥1000MΩ
- Contact resistance(接触电阻) : ≤20mΩ
- After environmental testing(环境测试后) : ≤30mΩ

9127 W V S- XX A-9T SN RE


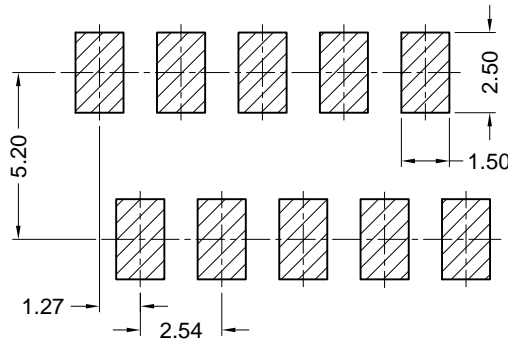
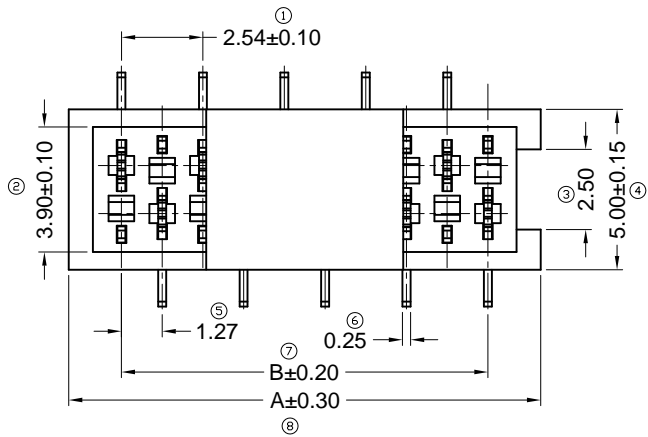
- ① 系列
- ② 类别: W-WAFER类
- ③ 外观形态:
V-180°
- ④ 成型方式:
空码-DIP S-SMT W-公母连体
- ⑤ PIN数:
单排-XX 双排-2*XX
- ⑥ 特殊码:
A-带柱防呆
- ⑦ 材质:
9T-PA9T 94V-0
- ⑧ 电镀类别:G**-镀金 V**-镀全金
*01-1U" *02-2U" *03-3U" *05-5U"
*10-10U" *15-15U" *30-30U" *50-50U"
N-镀镍(30-50U") SN-镀亮锡(70-120U")
SN1-镀亮锡(120U"Min.) SW-镀雾锡 HS-高温锡
- ⑨ 颜色:
空码-本色或普通色
RE-红色

Poles	Dimensions (mm)		Qty /Tube
	A	B	
04	7.20	2.54	71
06	9.74	5.08	54
08	12.28	7.62	44
10	14.82	10.16	37
12	17.63	12.70	31
14	19.90	15.24	28
16	22.44	17.78	25
18	24.98	20.32	22
20	27.52	22.86	20
22	30.06	25.40	18
24	32.60	27.94	17
26	35.14	30.48	16

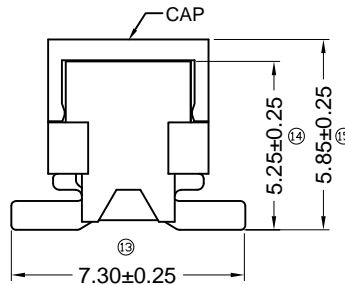
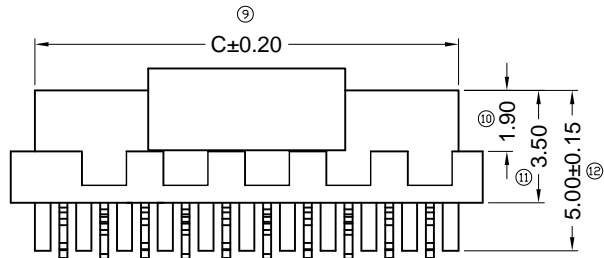
9127WVS-XXA-9TSNRE	PA9T UL 94V-0	Brass	Tin-Plated
PART NO	Material	Material(Pin)	Finish(Pin)

							GENERAL TOLERANCE .X ±0.30 .XX ±0.20 .XXX ±0.10				SWB 思索连接器有限公司 Terminal & Connectors SWB CONNECTORS CO.,LTD				PART NO. 9127WVS-XXA-9TSNRE			
2011/06/30 A B 修改图框格式							APPROVAL SUCCESS CHECK 孙开宝 DRAWN 黄明娟 DATA 2013/08/21				TITLE 1.27 mm Crimp Style connectors							
DATE	OLD REV	NEW REV	ECN	DESCRIPTION	CHECK	APPROVAL	UNIT	SCALE	NUMBER	REV	UNIT	SCALE	NUMBER	REV				
							MM	1/1	A-106	A								

环保物料



Recommended P.C.B Layout(Top Side)
(PCB BOARD TOLERANCE±0.05)



Poles	Dimensions (mm)			Qty /Tube
	A	B	C	
04	7.00	3.81	5.60	82
06	9.54	6.35	8.14	60
08	12.08	8.89	10.68	48
10	14.62	11.43	13.22	39
12	17.16	13.97	15.76	33
14	19.70	16.51	18.30	29
16	22.24	19.05	20.84	26
18	24.78	21.59	23.38	23
20	27.32	24.13	25.92	21
22	29.86	26.67	28.46	19
24	32.40	29.21	31.00	17
26	34.94	31.75	33.54	16

■ Specifications(规格) :

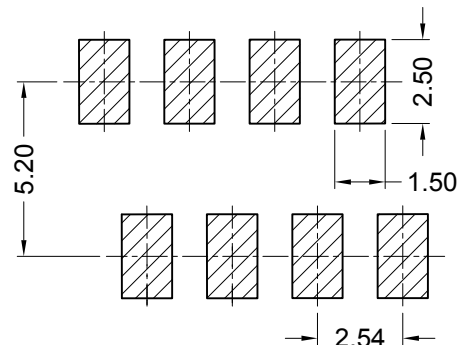
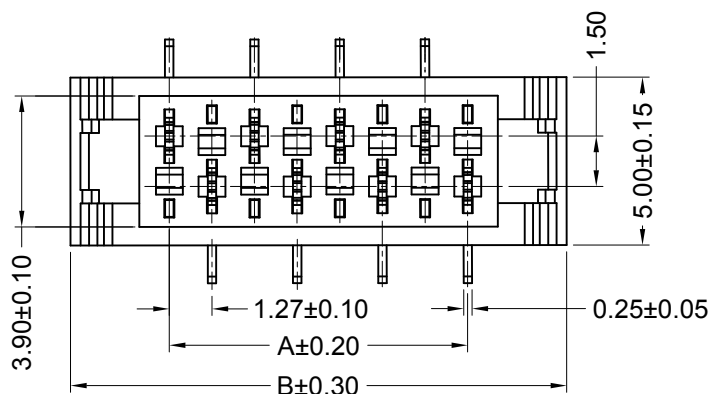
- Voltage rating(额定电压): 500V AC / DC
- Current rating(额定电流): 1A AC / DC
- Withstanding voltage(耐压值): 1000V AC/minute
- Temperature range(工作温度): -40°C~+105°C
- Insulation resistance(绝缘电阻): ≥1000MΩ
- Contact resistance(接触电阻): ≤20mΩ
- After environmental testing(环境测试后): ≤30mΩ

9127 W V S-XX AD-9T SN RE
① ② ③ ④ ⑤ ⑥ ⑦ ⑧

- ① 系列
- ② 类别: W-WAFER类
- ③ 外观形态: V-180° R-90° (带脚式)
- ④ 成型方式: 空码-DIP S-SMT W-公母连体
- ⑤ PIN数: 单排-XX 双排-2*XX
- ⑥ 特殊码: AD-单缺、带槽、加盖子
- ⑦ 材质: 6T-PA6T 9T-PA9T 46-PA46 LP-LCP PT-PBT N0-PA66 94V-0 N2-PA66 94V-2 TS-其它
- ⑧ 电镀类别: G**-镀金 V**-镀全金 S-镀银 *01-1U" *02-2U" *03-3U" *05-5U" *10-10U" *15-15U" *30-30U" *50-50U" N-镀镍(30-50U") SN-镀亮锡(70-120U") SN1-镀亮锡(120U"Min.) SW-镀雾锡 HS-高温锡
- ⑨ 颜色: 空码-本色或普通色 BK-黑色 BR-棕色 RE-红色 RD-紫红 OR-橙色 YE-黄色 GR-绿色 BL-蓝色 PR-紫色 GY-灰色 WH-白色 TR-大红 BN-咖啡色 LB-浅蓝色 BE-米黄色 TS-其它

9127WVS-XXAD-9TSNRE	PA9T UL 94V-0	Phosphor Bronze	Tin-Plated
PART NO	Material	Material(Pin)	Finish(Pin)

				一般公差 GENERAL TOLERANCE				料号 PART NO 9127WVS-XXAD-9TSNRE				
				.X ±0.3				品名 TITLE 1.27 mm Crimp Style connectors				
				.XX ±0.2				核准 APPD 审核 CHK 绘图 DR 日期 DATA				
2011/09/08 A B 修改图框格式				.XXX ±0.1				刘艳 2011/06/23				
日期 DATE	旧版次 OLD REV	新版次 NEW REV	变更内容 DESCRIPTION	审核 CHK	核准 APPD	角法 PROJECT	CSWB 东莞市思索连接器有限公司 TERMINAL CONNECTORS Dongguan Siweb Connectors CO.,LTD		单位 UNIT	比例 SCALE	图号 NUMBER	版次 REV
									MM	1/1	A-106	B



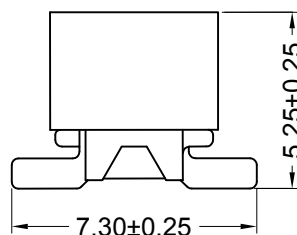
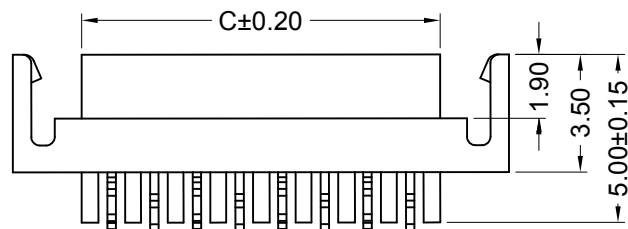
Recommended P.C.B Layout(Top Side)
(PCB BOARD TOLERANCE±0.05)

■ Specifications :

- Voltage rating: 500V AC / DC
- Current rating: 1A AC / DC
- Withstanding voltage: 500V AC/minute
- Temperature range: -40°C~+105°C
- Insulation resistance: ≥1000MΩ
- Contact resistance: ≤10mΩ
- After environmental testing: ≤20mΩ



9127 W V S-XX B2-9T SN XX
① ② ③ ④ ⑤ ⑥ ⑦ ⑧ ⑨

- ① Series No.
- ② Category: W-wafer
- ③ Welding Board Angle: V- Straight 180°
- ④ Welding Way: S-SMT
- ⑤ Row No.-Pin No.: XX-04P~26P
- ⑥ Plug the Pin & Special No.:
B2-With Ear、Concave
- ⑦ Material: 9T-Nylon 9T 94V-0
- ⑧ Planting Category: SN-Bright tin plating
- ⑨ Color: RE-Red RD-purplish red



9127WVS-XXB2-9TSNRD	Purplish red	PA9T UL 94V-0	Brass	Tin-Plated
9127WVS-XXB2-9TSNRE	RED			
PART NO	Color	Material	Material(Pin)	Finish(Pin)

Poles	Dimensions(mm)			Poles	Dimensions(mm)		
	A	B	C		A	B	C
04	3.81	9.70	5.50	16	19.05	24.94	20.74
06	6.35	12.24	8.04	18	21.59	27.48	23.28
08	8.89	14.78	10.58	20	24.13	30.02	25.82
10	11.43	17.32	13.12	22	26.67	32.56	28.36
12	13.97	19.86	15.66	24	29.21	35.10	30.90
14	16.51	22.40	18.20	26	31.75	37.64	33.44

							GENERAL TOLERANCE	 思索连接器有限公司 Terminal & Connectors SWB CONNECTORS CO.,LTD				PART NO. 9127WVS-XXB2-9TSNXX				
							.X ±0.30 .XX ±0.20 .XXX ±0.10					TITLE 1.27 mm Crimp Style Connectors				
DATE	OLD REV	NEW REV	ECN	DESCRIPTION	CHECK	APPROVAL	PROJECT	APPROVAL	CHECK	DRAWN	DATA	UNIT	SCALE	NUMBER	REV	
1			2							sylvania	2014/07/04	MM	1 : 1	A-106	A	
							3					4				
							5					6				
							7					8				