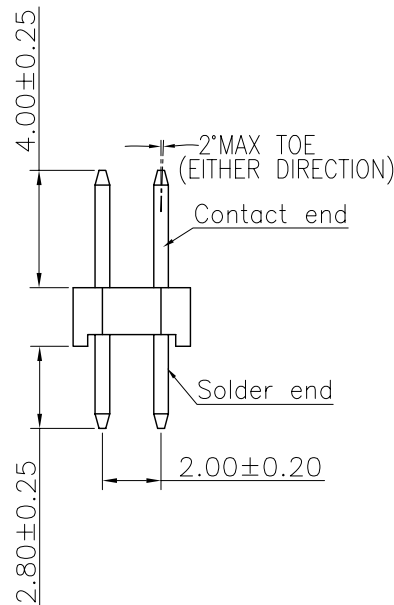
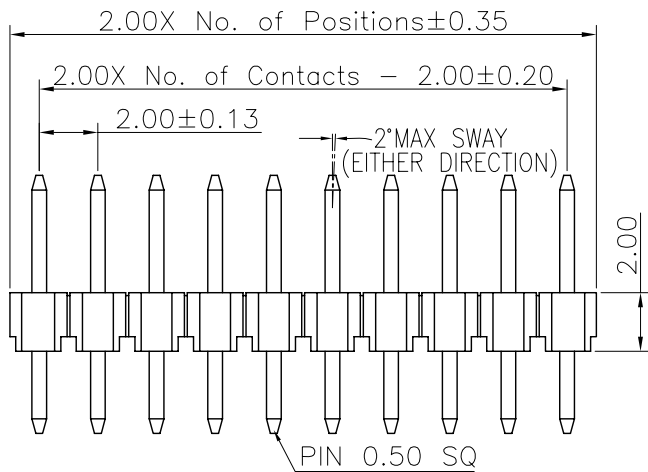
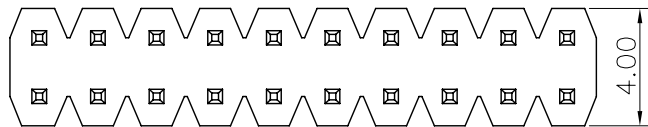


REV.	LOCAS.	DESCRIPTION	DATE	DRAWN
01	NEW	INITIAL RELEASE.	2010.01.14	曹 熙
02	△	變更圖號	2012.04.02	黃小燕



Specifications
 Current Rating: 2Amp
 Insulation Resistance: 1000MΩMin.
 Dielectric Withstanding Voltage: 500VAC
 Contact Resistance: 20mΩMax.
 Operating Temperature: -40°C to +105°C
 Materials
 Contact Material: Phosphor Bronze
 Insulator Material: Thermoplastic, UL 94V-0 PBT or the equivalent material
 All materials must meet Greenconn requirement for environment protection.

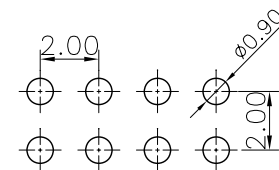
Ordering Information

G PFA201 - XX XX A 001 A 1 A X

No. of Pins per Row 02~40
 Standard Plating 02=Gold Flash
 Selective Plating 01=Tin
 05=Gold Flash/Tin

Color 1=Black
 Standard Packing A=box
 Selective Packing C=Tube

Recommended P.C.Board Layout
 (Tolerance: ±0.05)



格稜股份有限公司
Greenconn Corporation

GENERAL TOLERANCE		DESIGN: 黃小燕	DATE: 2012.04.02	DWG. NO.
X.° ± 5.0°	X. ± 0.30	CHECKED: 劉北平	DATE: 2012.04.02	GPFA201-CA1AA
.X° ± 3.0°	.X ± 0.25	AUDITED: 李輝	DATE: 2012.04.02	PART NO.
.XX° ± 2.0°	.XX ± 0.15	APPROVED: cc_li	DATE: 2012.04.02	GPFA201-XXXX A001A1AX
.XXX° ± 1.0°	.XXX ± 0.10			

TITLE:
 2.00 PIN HEADER
 DUAL ROWS DIP TYPE
 CONNECTOR

REV.	UNIT.	SCALE.	PAGE.
02	mm	4:1	1/1