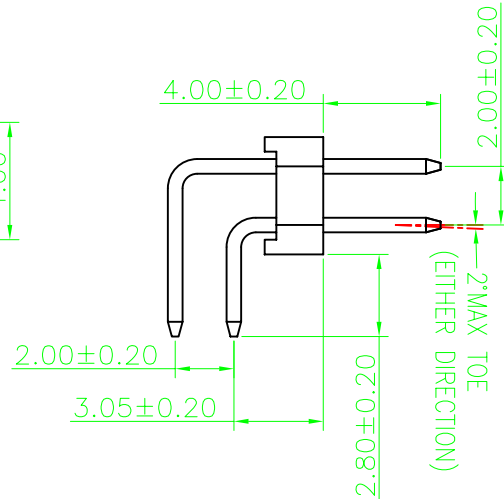
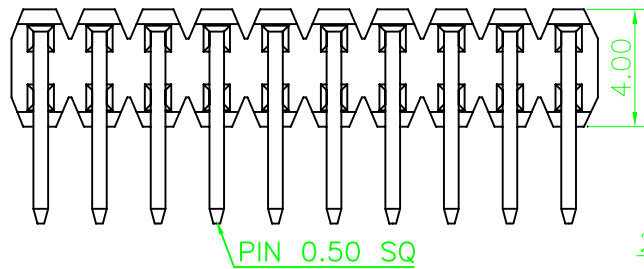
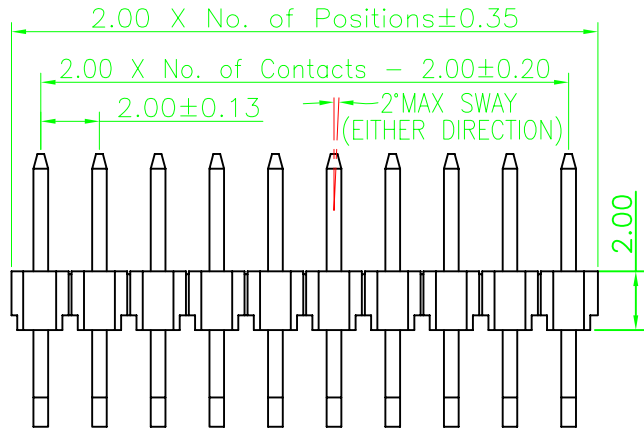
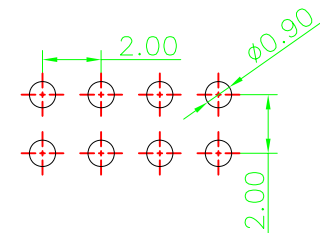


REV.	LOCAS.	DESCRIPTION	DATE	DRAWN
01	NEW	INITIAL RELEASE.	09-08-04	XIAO PING
02	△	變更料號	2008.11.04	彭思城
03	△	變更圖號	2012.01.03	黃小燕



Specifications
 Current Rating: 2Amp
 Insulation Resistance: 1000MΩMin.
 Dielectric Withstanding Voltage: 500VAC
 Contact Resistance: 20mΩMax.
 Operating Temperature: -40°C to +105°C
 Materials
 Contact Material: Brass
 Insulator Material: Thermoplastic, UL 94V-0 PBT or the equivalent material
 All materials must meet Greenconn requirement for environment protection.

Recommended P.C.Board Layout
 (Tolerance: ±0.05)



△ Ordering Information

G PFB201 - XX XX A 001 A 1 B X

No. of Pins per Row 02~40
 Standard Plating 02=Gold Flash
 Selective Plating 01=Tin 05=Gold Flash/Tin
 Color 1=Black
 Standard Packing A=Box
 Selective Packing C=Tube

格菱股份有限公司
Greenconn Corporation

GENERAL TOLERANCE	
X.*±5.0°	X.±0.30
.X*±3.0°	.X±0.25
.XX*±2.0°	.XX±0.15
.XXX*±1.0°	.XXX±0.10

DESIGN: 黃小燕	DATE: 2012.01.03
CHECKED: 劉北平	DATE: 2012.01.03
AUDITED: 李輝	DATE: 2012.01.03
APPROVED: cc_li	DATE: 2012.01.03

DWG. NO.	△ GPFB201-CA1AB △
PART NO.	GPFB201-XXXX △ A001A1BX

TITLE:
 2.00 PIN HEADER
 DUAL ROWS R/A TYPE
 CONNECTOR

REV.	UNIT.	SCALE.	PAGE.
03	mm	4:1	1/1