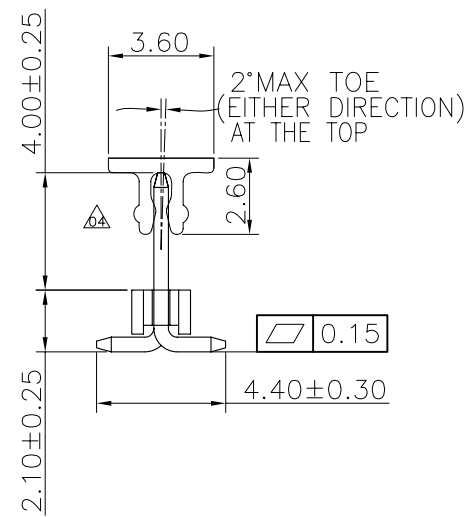
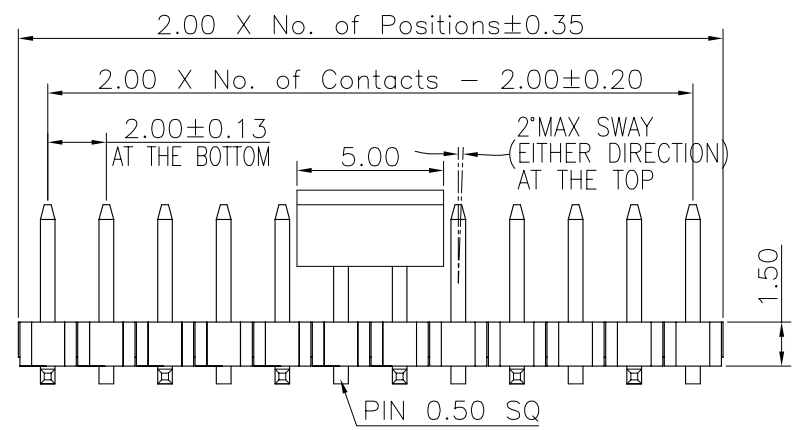
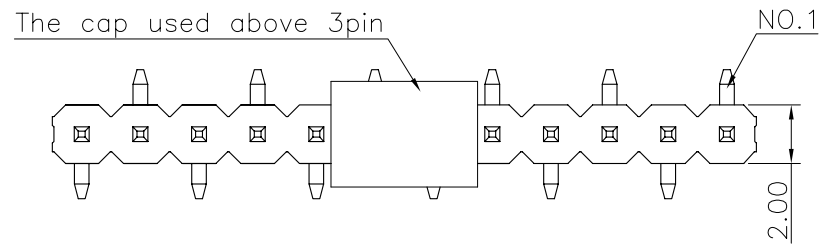
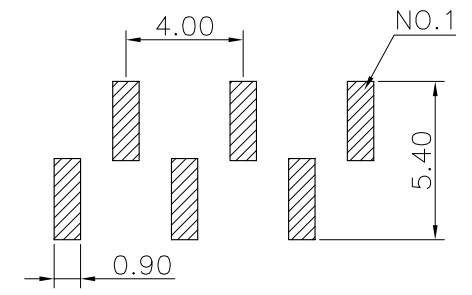


REV.	LOCAS.	DESCRIPTION	DATE	DRAWN
02	△△	變更料號	2008.11.11	彭思城
03	△△	依上級要求變更圖號	2011.12.19	李芳忠
04	△△	依上級要求，更改CAP配方	2014.04.15	邱明周

Specifications
 Current Rating: 2Amp
 Insulation Resistance: 1000MΩMin.
 Dielectric Withstanding Voltage: 500VAC
 Contact Resistance: 20mΩMax.
 Operating Temperature: -40°C to +105°C
 Materials
 Contact Material: Brass
 Insulator Material: High Temperature Thermoplastic, UL 94V-0 Nylon 6T or the equivalent material
 All materials must meet Greenconn hazardous substances control standards.



Recommended P.C.Board Layout
 (Tolerance: ±0.05)



△ Ordering Information

G PFC102 - XX XX A 002 B 1 B X

No. of Pins per Row: 02~40
 Standard Plating: 02=Gold Flash, Selective Plating: 01=Tin, 05=Gold Flash/Tin
 Color: 1=Black
 Standard Packing: C=Tube, Selective Packing: A=Box, E=Cap+Tube, F=Cap+Tape&Reel

格稜股份有限公司
Greenconn Corporation

GENERAL TOLERANCE	
X.*±5.0°	X.±0.30
.X*±3.0°	.X±0.25
.XX*±2.0°	.XX±0.15
.XXX*±1.0°	.XXX±0.10

DESIGNED: 邱明周	DATE: 2014.04.15
CHECKED: 曹熙	DATE: 2014.04.15
CO SIGNED: 劉北平	DATE: 2014.04.15
APPROVED: 李輝	DATE: 2014.04.15

DWG. NO. △△	GPF102-CA2BB
PART NO. △	
GPF102-XXXX A002B1BX	

TITLE:
 2.00 PIN HEADER
 SINGLE ROW SMT TYPE
 BASE 1.50H

F
E
D
C
B
A

F
E
D
C
B
A