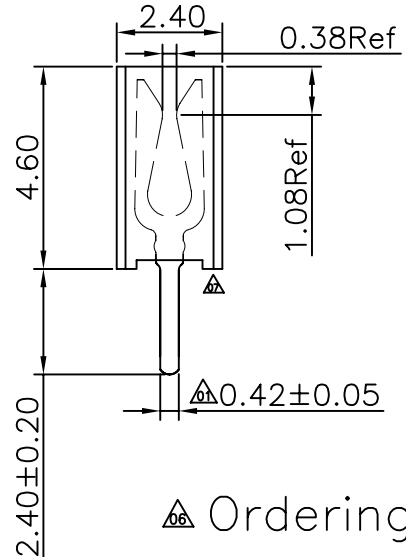
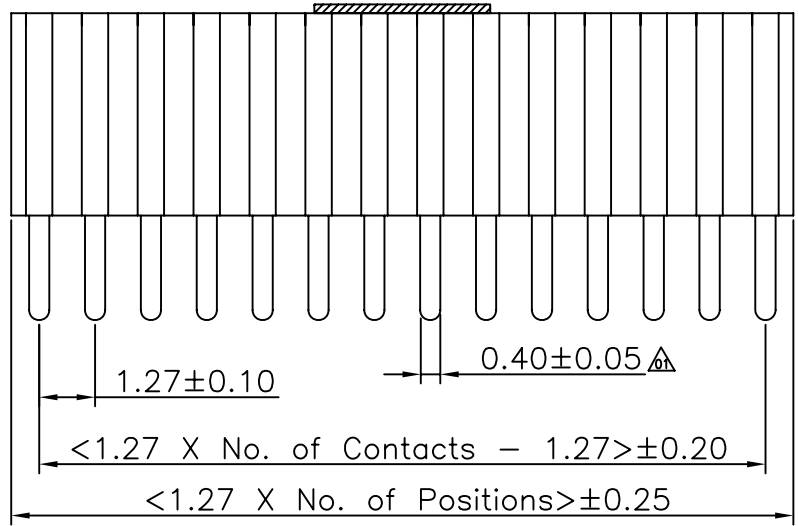
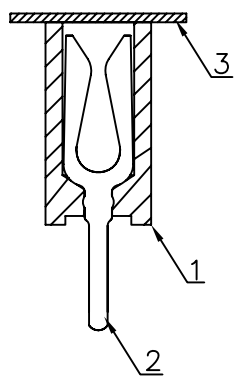
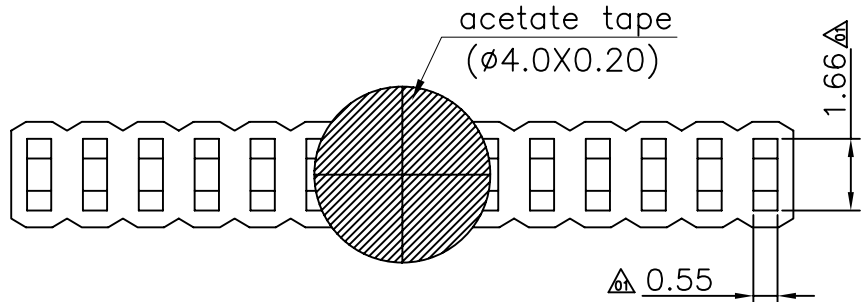


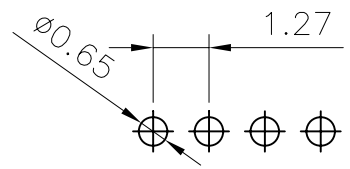
REV.	LOCAS.	DESCRIPTION	DATE	DRAWN
06	▲	Change Part NO.	2009.02.24	黎廣華
07	▲	依實物修正圖面	2009.09.16	李小珍
08	▲	變更圖號與注解并新增包裝選項修正視圖	2011.07.14	黃明霞



Specifications
 Current Rating: 1.0Amp
 Insulation Resistance: 1000MΩ Min.
 Dielectric Withstanding: 300V AC
 Contact Resistance: 20mΩ Max.
 Operating Temperature: -40°C to +105°C

Materials
 Contact Material: Phosphor Bronze
 ▲ Insulation Material: High Temperature Thermoplastic, UL 94V-0
 For 02~25pins, use the plastic material of LCP, while 26~50pins using Nylon 6T plastic
 All materials must meet Greenconn requirement for environment protection

Recommended P.C.B.Layout
 (Tolerance: ±0.05)



▲ Ordering Information

C SEA101 - XX XX A 001 X 1 A X

No. of Pins per Row
 ▲ 02~50

Standard Plating
 02=Gold Flash
 Selective Plating
 01=Tin
 05=Gold Flash/Tin

Color
 1=Black

Standard Packing
 A=box
 Selective Packing
 C=Tube
 ▲ H=acetate tape+T&R

格稜股份有限公司
Greenconn Corporation

GENERAL TOLERANCE	
X.*±5.0°	X.±0.30
.X*±3.0°	.X±0.25
.XX*±2.0°	.XX±0.15
.XXX*±1.0°	.XXX±0.10

DESIGN: 黃明霞	DATE: 2011.07.14
CHECKED: 李新華	DATE: 2011.07.14
AUDITED: LINK	DATE: 2011.07.14

DWG. NO.	CSEA101-CA1XA
PART NO.	CSEA101-XXXX A001X1AX

TITLE.	1.27 FEMALE HEADER SINGLE ROW DIP TYPE BASE 4.60H
--------	---

REV.	UNIT.	SCALE.	PAGE.
08	mm	6:1	1/1