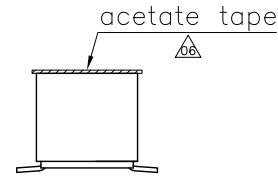
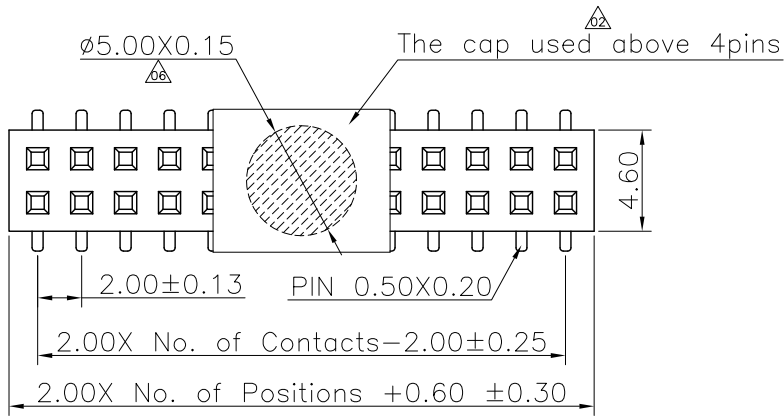
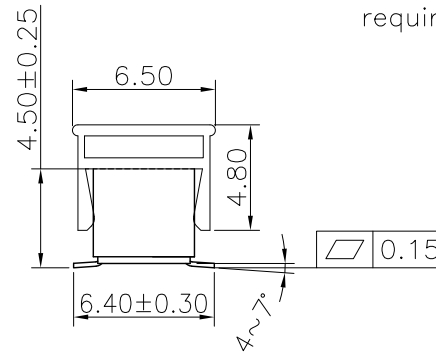
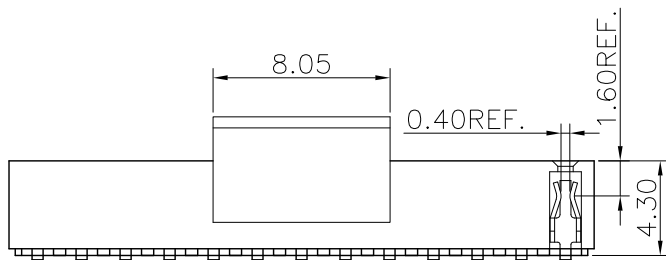


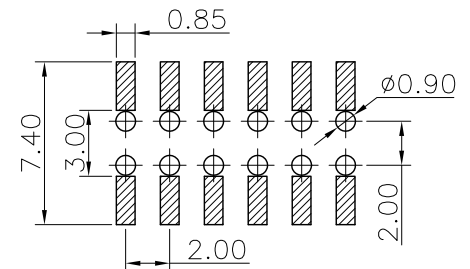
REV.	LOCAS.	DESCRIPTION	DATE	DRAWN
04	△A	變更料號	2009.03.05	余曉斌
05	△B	依上級要求變更圖號	2012.05.30	李芳忠
06	△B	為改善貼膠紙效率，變更膠紙配方	2013.01.25	邱明周



Specifications
 Current Rating: 2.0Amp
 Insulation Resistance: 1000MΩMin.
 Dielectric Withstanding Voltage: 500VAC
 Contact Resistance: 20mΩMax.
 Operating Temperature: -40°C to +105°C
 Materials
 Contact Material: Phosphor Bronze
 Insulator Material: High Temperature Thermoplastic, UL 94V-0 Nylon 6T or the equivalent material
 All materials must meet Greenconn requirement for environment protection.



Recommended P.C.Board Layout FOR BOTTOM ENTRY (Tolerance: ±0.05)



Ordering Information

C SFC201 - XX XX A 001 B 1 A X

No. of Pins per Row 02~40

Standard Plating 02=Gold Flash
 Selective Plating 01=Tin
 05=Gold Flash/Tin

Color 1=Black

Standard Packing C=Tube
 Selective Packing A=Box
 E=Cap+Tube
 F=Cap+Tape&Reel
 G=Acetate Tape+Tube
 H=Acetate Tape+Tape&Reel

格菱股份有限公司
Greenconn Corporation

GENERAL TOLERANCE	
X.*±5.0°	X.±0.30
.X*±3.0°	.X±0.25
.XX*±2.0°	.XX±0.15
.XXX*±1.0°	.XXX±0.10

DESIGN: 邱明周	DATE: 2013.01.25
CHECKED: 劉北平	DATE: 2013.01.25
AUDITED: 林萬輝	DATE: 2013.01.25
APPROVED: 李輝	DATE: 2013.01.25

DWG. NO.	CSFC201-CA1BA
PART NO.	CSFC201-XXXX A001B1AX

TITLE.	2.00 FEMALE HEADER DUAL ROWS SMT TYPE CONNECTOR
--------	---

REV.	UNIT.	SCALE.	PAGE.
06	mm	3:1	1/1