

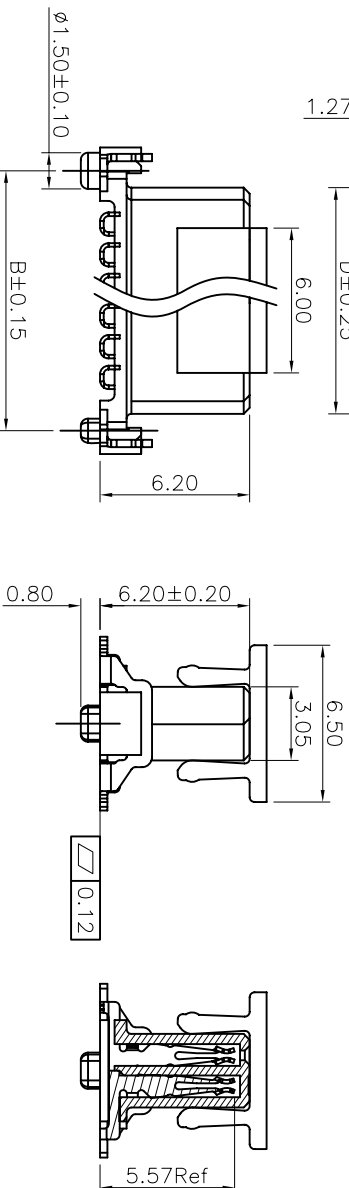
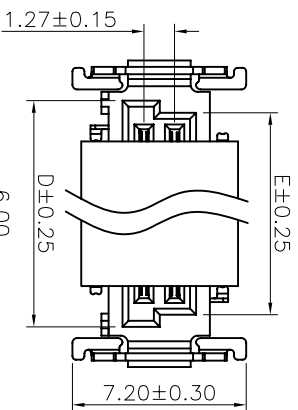
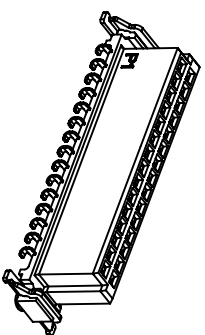
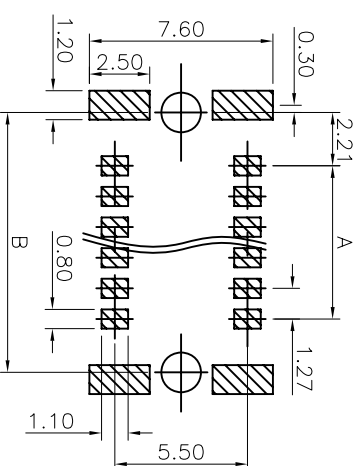
REV.	LOCAS.	DESCRIPTION	DATE	DRAWN
01	NEW	INITIAL RELEASE.	2013.10.30	劉宗良
02		According to the actual requirement to update the latest specification	2014.10.08	楊濤

Specifications

Current Rating:0.8Amp
 Insulation Resistance:1000MΩ Min.
 Dielectric Withstanding Voltage:500VAC
 Contact Resistance:30mΩ Max.
 Operating Temperature:-55°C to +125°C
 Materials
 Contact Material:Copper Alloy
 Insulator Material:High Temperature Thermoplastic, UL 94V-0 LCP or the equivalent material
 Colour:Black
 All materials must meet Greenconn hazardous substances control standards.

PIN NO.	A	B	C	D	E
2*06	6.35	10.77	13.20	9.37	8.37
2*13	15.24	19.66	22.09	18.26	17.26
2*25	30.48	34.90	37.33	33.50	32.50

Recommended P.C.Board Layout
 (Tolerance:±0.05)

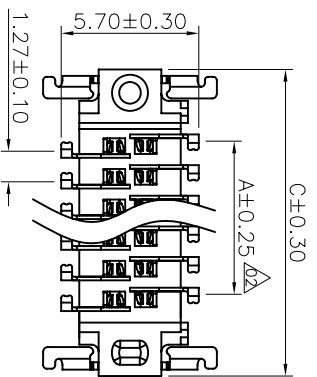


Ordering Information

CBEC201-XX XX B001 C 1 X X
 No. of Pins per Row
 06~25

Standard Plating
 79=5u"Au/80~160u"Matte Tin
 Selective Plating
 34=10u" Gold/Gold Flash
 05=Gold Flash/Tin

Standard Packing
 C=Tube
 E=CAP+Tube
 Selective Packing
 F=CAP+Tape&Reel
 A=Phosphor Bronze
 F=Beryllium Copper



格 菱 股 份 有 限 公 司
Greenconn Corporation

REV. 02 UNIT. mm SCALE. 1:1 PAGE. 1/1

GENERAL TOLERANCE		DESIGN:	DATE:
X.±5.0"	X.±0.30	楊濤	2014.10.08
.X.±3.0"	.X.±0.25	林澤云	2014.10.08
.XX.±2.0"	.XX.±0.15	CO SIGNED: 徐軍博	DATE: 2014.10.08
.XXX.±1.0"	.XXX.±0.10	APPROVED: Link	DATE: 2014.10.08

DWG. NO. CBEC201-CB1CX
 PART NO. CBEC201-XX XX B001C1XX

TITLE.
 Pitch1.27 Female Connector
 SMC Type-B SMT Type High
 6.20mm 180°