

REV.	LOCAS.	DESCRIPTION	DATE	DRAWN
03		轉量產版圖面	2008.11.03	趙章池
04	△△	新增膠紙配方	2008.11.07	趙章池
05	△△	變更料號	2009.02.23	林澤云
06	△△	變更圖號與注解	2011.07.05	黃明霞

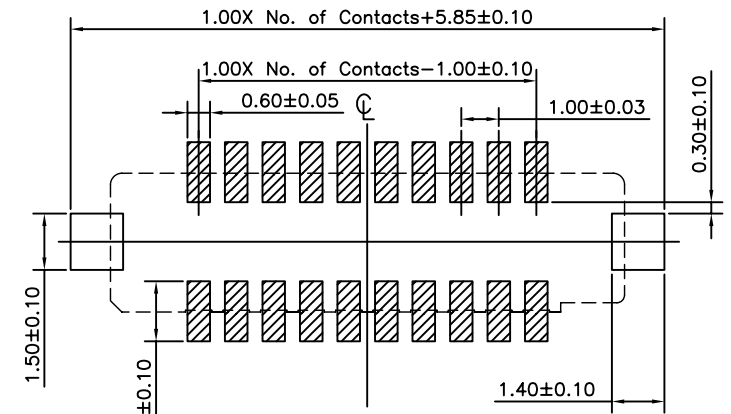
Ordering Information

△△CBCC201 - XX XX A 001 B E A X

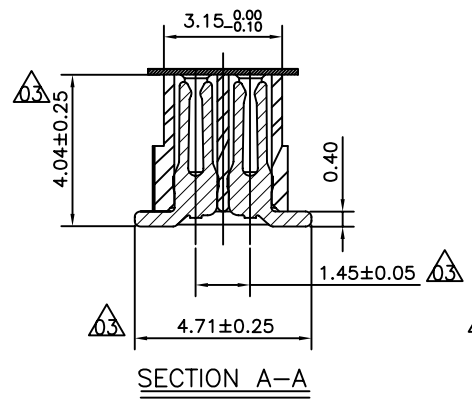
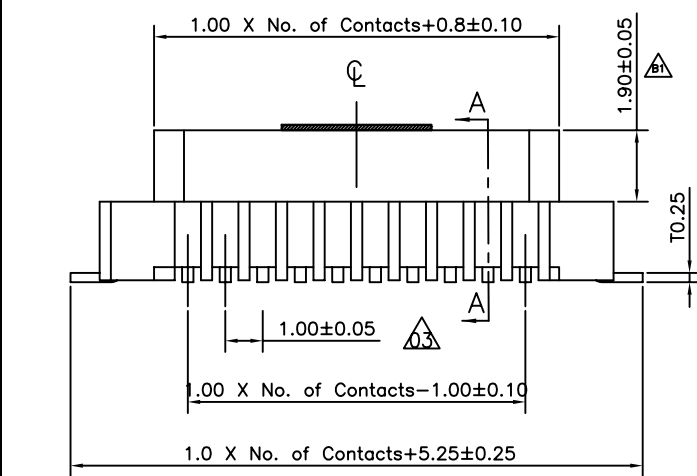
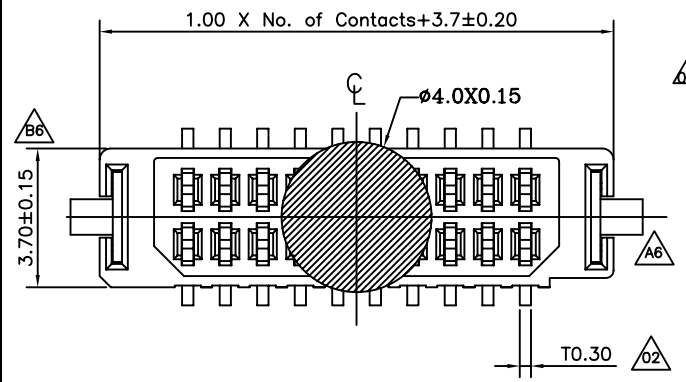
No. of Pins per Row 05~15 Standard Plating 02=Gold Flash
 Selective Plating 01=Tin 05=Gold Flash /Tin

Color E=Beige Standard Packing D=Tape Reel
 Selective Packing H=Acetate Tape+Tape Reel

Recommended P.C.Board Layout △△



- NOTES:
- UNLESS OTHERWISE SPECIFIED, ALL RADIUS ARE 0.5 MM.
 - MATERIAL: High Temperature Thermoplastic, UL 94V-0 (Nylon) or the equivalent material, COLOR: BEIGE; T/FORKLOCK: Phosphor Bronze
 - BURR: 0.08mm (MAX.)
 - WARPAGE: 0.25mm (MAX.)
 - LOGO, MARKING, AND CAVITY NO. SHOULD BE CLEAR, AND THEIR HEIGHT SHOULD BE LOWER THAN THE SURFACE.
 - All materials must meet Greenconn requirement for environment protection



格稜股份有限公司
Greenconn Corporation

GENERAL TOLERANCE	
X. ± 5.	X. ± .X
.X ± 2.	.X ± .38
.XX ± 1.	.XX ± .25
.XXX ± 0.5.	.XXX ± .13

DESIGN:	黃明霞	DATE:	2011.07.05
CHECKED:	李新華	DATE:	2011.07.05
APPROVED:	Link	DATE:	2011.07.05

DWG. NO.	△△△ CBCC201-CA1BA
PART NO.	△△ CBCC201-XXXXA001BEAX

TITLE.	1.00 PITCH FEMALE BOARD TO BOARD TYPE
--------	---------------------------------------

REV.	06	UNIT.	mm	SCALE.	5:1	
------	----	-------	----	--------	-----	--