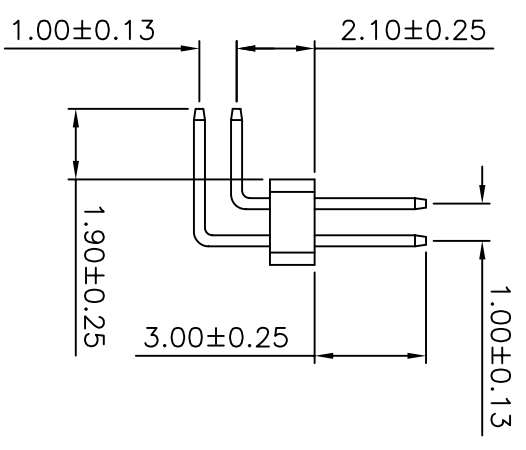
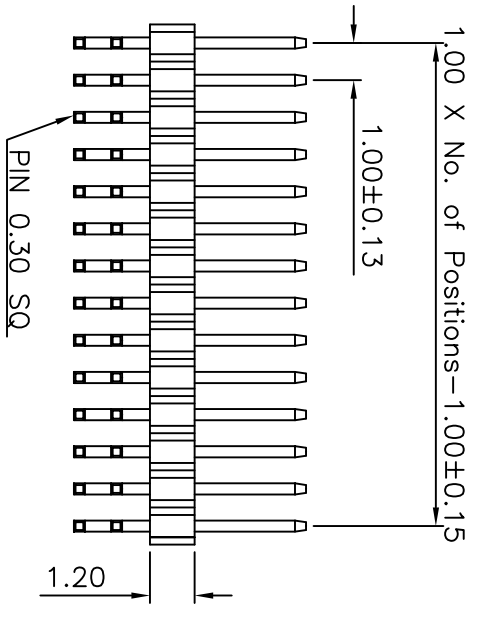
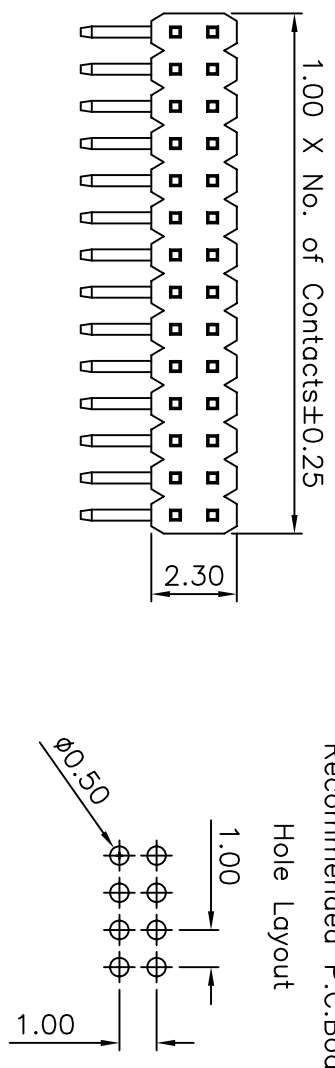


REV.	LOCAS.	DESCRIPTION	DATE	DRAWN
A		INITIAL RELEASE	2004.12.10	KHIO PING
01		轉量產版	2007.03.29	詹朝淑
02		變更料號	2008.07.26	彭思淑
03		變更新圖號	2010.12.07	黃明霞

Recommended P.C.Board

Hole Layout



Specifications
 Current Rating: 1Amp
 Insulation Resistance: 1000MΩMin.
 Dielectric Withstanding: 300VAC
 Contact Resistance: 20mΩMax.
 Operating Temperature: -40°C to +105°C
 Materials
 Contact Material: Phosphor Bronze
 Insulator Material: Polyester, UL 94V-0
 LCP

All materials must meet Greenconn requirement for environment protection.

Ordering Information

G PCB201 - XX XX A003 C 1 A X

No. of Pins per Row Contact Plating Options
 02~50 01=Tin D=tape reel
 02=Gold Flash F=cap+tape reel
 Duplex plating ...
 05=Gold Flash /Tin

格菱股份有限公司 Greenconn Corporation			GENERAL TOLERANCE X: ±5.0° X: ±0.30 .X: ±3.0° .X: ±0.25 .XX: ±2.0° .XX: ±0.15 .XXX: ±1.0° .XXX: ±0.10		
REV. 03	UNIT. mm	SCALE. 1:1	PAGE. 1/1	DESIGN: 黃明霞	DATE: 2010.12.07
				CHECKED: 李新華	DATE: 2010.12.07
				AUDITED: Lear	DATE: 2010.12.07
DWG. NO. GPCB201-CA3CA		PART NO. GPCB201-XXXXA003C1AX		TITLE: 1.00*1.00 BORAD SPACER DUAL ROWS BASE 1.20H	

A B C D E F

A B C D E F

1 2 3 4 5 6 7 8 9