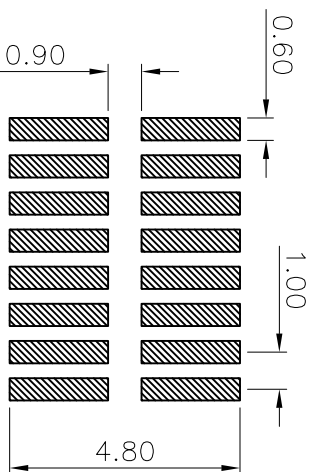


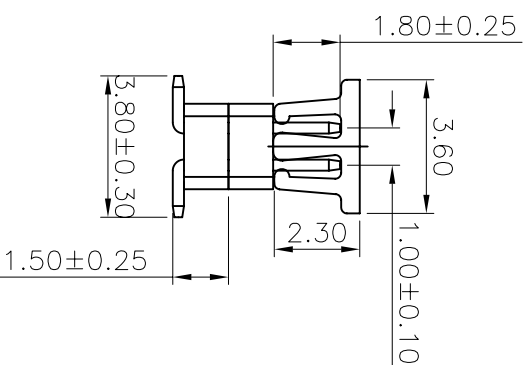
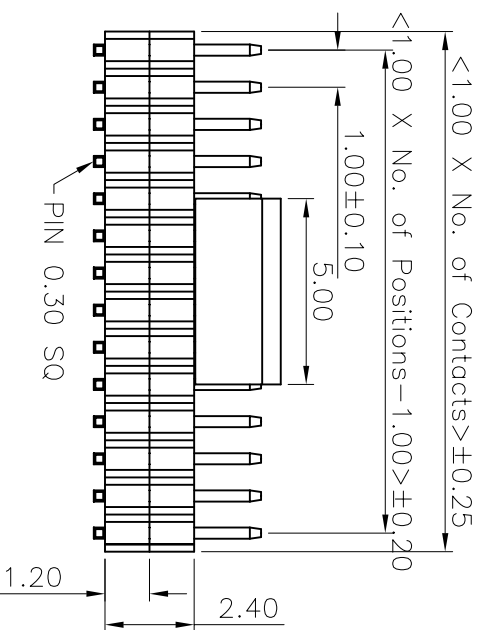
Recommended P.C.Board
Layout
(Tolerance:±0.05)



REV.	LOCAS.	DESCRIPTION	DATE	DRAWN
A		INITIAL RELEASE	2004.12.10	XIAO PING
01		轉量產版	2007.03.29	詹朝淑
02		變更料號	2008.07.26	彭思敏
03		變更新圖號	2010.12.10	黃明霞

Specifications

Current Rating:1Amp
Insulation Resistance:1000MΩMin.
Dielectric Withstanding: 300VAC
Contact Resistance:20mΩMax.
Operating Temperature:-40°C to +105°C
Materials
Contact Material: Phosphor Bronze
Insulator Material: Polyester, UL 94V-0
Nylon 6T
All materials must meet Greenconn requirement for environment protection.



Ordering Information

G PCC201 - XX XX A001 B 1 A X

No. of Pins per Row Contact Plating Options
02~40 01=Tin D=tape reel
 02=Gold Flash F=cap+tape reel
 Duplex plating ...
 05=Gold Flash /Tin

格 菱 股 份 有 限 公 司
Greenconn Corporation

REV. 03 UNIT. mm SCALE. 1:1 PAGE. 1/1

GENERAL TOLERANCE
X:±5.0° X:±0.30
.X:±3.0° .X±0.25
.XX:±2.0° .XX±0.15
.XXX:±1.0° .XXX±0.10

DESIGN: 黃明霞 DATE: 2010.12.10
CHECKED: 李新華 DATE: 2010.12.10
AUDITED: Lear DATE: 2010.12.10

DWG. NO. PART NO. TITLE:
GPCC201-CA1BA GPCC201-XXXXA001B1AX 1.00 PIN HEADER
BOARD SPACER
SMT TYPE