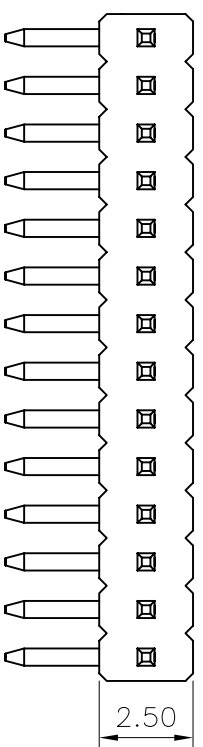
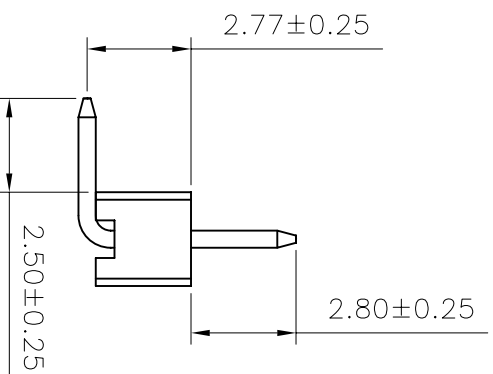
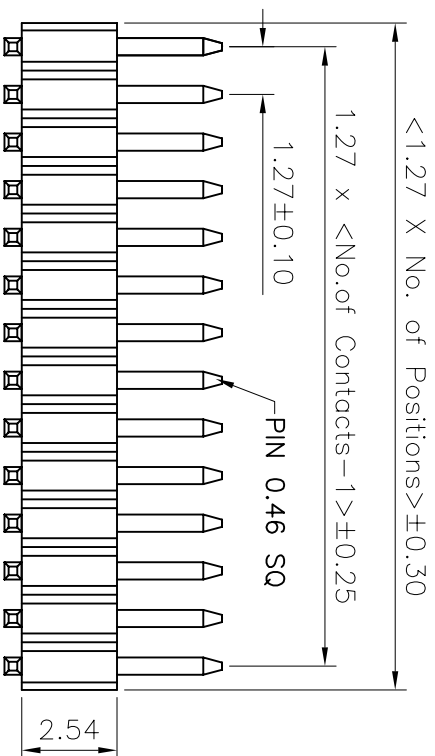
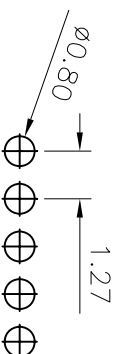


REV.	LOCAS.	DESCRIPTION	DATE	DRAWN
A	NEW	INITIAL RELEASE	2008.10.10	許承佑
B	△	變更料號	2009.06.08	彭思城
C	△	變更注釋和新圖號	2011.03.08	伍文聰



Recommended P.C.Board Layout
(Tolerance: ±0.05)



Specifications
 Current Rating: 1Amp
 Insulation Resistance: 1000MΩ Min.
 Dielectric Withstanding: 300V AC
 Contact Resistance: 20mΩ Max.
 Operating Temperature: -40°C to +105°C

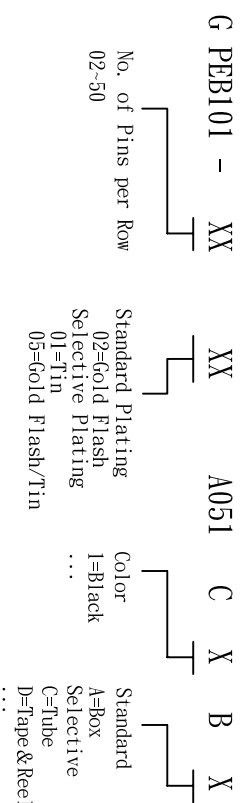
Materials

Contact Material: Brass
 Insulation Material: High Temperature

△ Thermoplastic,
 UL 94V-0 LCP

All materials must meet Greenconn
 requirement for environment protection

Ordering Information △



格菱股份有限公司 Greenconn Corporation				GENERAL TOLERANCE		DESIGN: 伍文聰		DATE: 2011.03.08		DWG. NO. GPEB101-C51CB △		TITLE: 1.27 PIN HEADER SINGLE ROW R/A TYPE CONNECTOR	
REV. C	UNIT. mm	SCALE. 5:1	PAGE. 1/1	X. ± 5°	X. ± 0.30	CHECKED: 李新華	DATE: 2011.03.08	PART NO.	GPEB101-XX XX A051CXB X				
				.X ± 3°	.X ± 0.25	AUDITED: Lear	DATE: 2011.03.08						
				.XX ± 2°	.XX ± 0.15								
				.XXX ± 1°	.XXX ± 0.10								