

RoHS  Lead-free

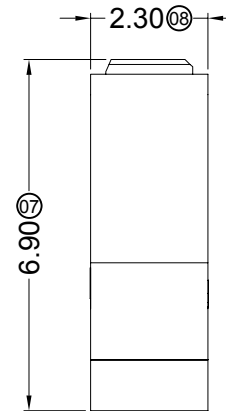
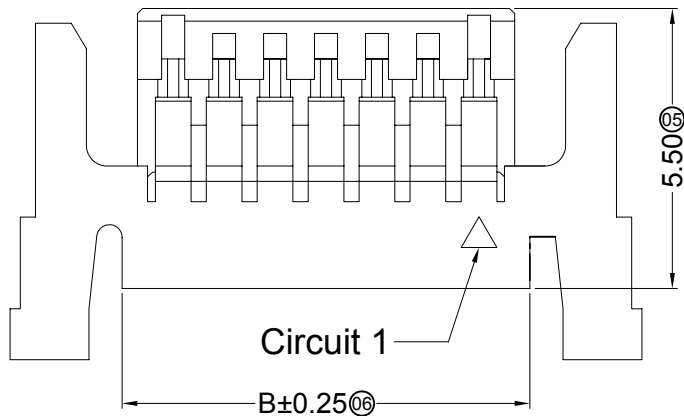
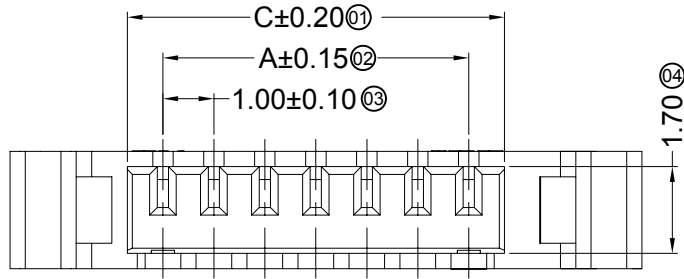
■ Specifications :

- Voltage rating: 125V AC / DC
- Current rating: 1A AC / DC
- Withstanding voltage: 500V AC/minute
- Temperature range: -25°C~+85°C
- Insulation resistance: ≥100MΩ
- Contact resistance: ≤20mΩ
- After environmental testing: ≤40mΩ

1002 H X-XX C-N0 XX HF

① ② ③ ④ ⑤ ⑥ ⑦ ⑧



- ① Series No.
 - ② Category: H-HSG
 - ③ Welding Board Angle: Blank-ordinary
 - ④ Row No.-Pin No.: XX-Single row
 - ⑤ Plug the Pin & special No.: C-Ultra-thin Hook
 - ⑦ Material: N0-PA66 94V-0 ; N2-PA66 94V-2
 - ⑧ Color: Blank-natural color
- HF-Halogen Free




Poles	Dimensions(mm)			Poles	Dimensions(mm)		
	A	B	C		A	B	C
02	1.00	3.00	2.40	12	11.00	13.00	12.40
03	2.00	4.00	3.40	13	12.00	14.00	13.40
04	3.00	5.00	4.40	14	13.00	15.00	14.40
05	4.00	6.00	5.40	15	14.00	16.00	15.40
06	5.00	7.00	6.40	16	15.00	17.00	16.40
07	6.00	8.00	7.40	17	16.00	18.00	17.40
08	7.00	9.00	8.40	18	17.00	19.00	18.40
09	8.00	10.00	9.40	19	18.00	20.00	19.40
10	9.00	11.00	10.40	20	19.00	21.00	20.40
11	10.00	12.00	11.40				

1002H-XXC-N0HF	PA66 UL 94V-0 Halogen Free	1002T-A	1002W-C
1002H-XXC-N0	PA66 UL 94V-0		
PART NO	Material	Suitable SWB Terminal	Mates With SWB Wafer

2014/01/21	C	D	Modify the drawing frame format	Sylvia		
DATE	OLD REV	NEW REV	ECN	DESCRIPTION	CHECK	APPROVAL

GENERAL TOLERANCE	
X	±0.30
.XX	±0.20
.XXX	±0.10
PROJECT	
	

 思索连接器有限公司
SWB CONNECTORS CO.,LTD

APPROVAL	CHECK	DRAWN	DATA
Bob Sun	Jova Lau	Yan.Liu	2007/05/03

PART NO. 1002H-XXC-N0XX			
TITLE 1.00 mm Crimp Style Connectors			
UNIT	SCALE	NUMBER	REV
MM	1 : 1	A-106	D